

# Wardrobes

SO WATT

Tailor made storage solutions to suit your style of living.



# Why Invest in Your Space?

## Investing In Your Space!

Built-in storage adds value to any space and is increasingly a feature that buyers and renters look for in a home. Well-designed joinery will elevate a whole room providing a bespoke and premium atmosphere. Quality joinery will last decades, making the investment an easy decision when considering the lifespan.

## Improve The Health Of Your Home

It's no secret that a home constructed from natural materials will create a healthier environment with cleaner air for your family. Our plywood joinery is created to achieve exactly that. With all Australian-made materials and low-VOC water-based finishes, we focus on ensuring a natural, conscious, and sympathetic addition to your home or workplace.

## How Will It Affect The Way I Live?

If your clothes are bursting out of their cupboards, or your suitcase doesn't have a home, So Watt's team of designers are well versed in creative storage solutions to make your custom joinery project work as hard as possible. Let us know your wish list and we will pitch some layout concepts!



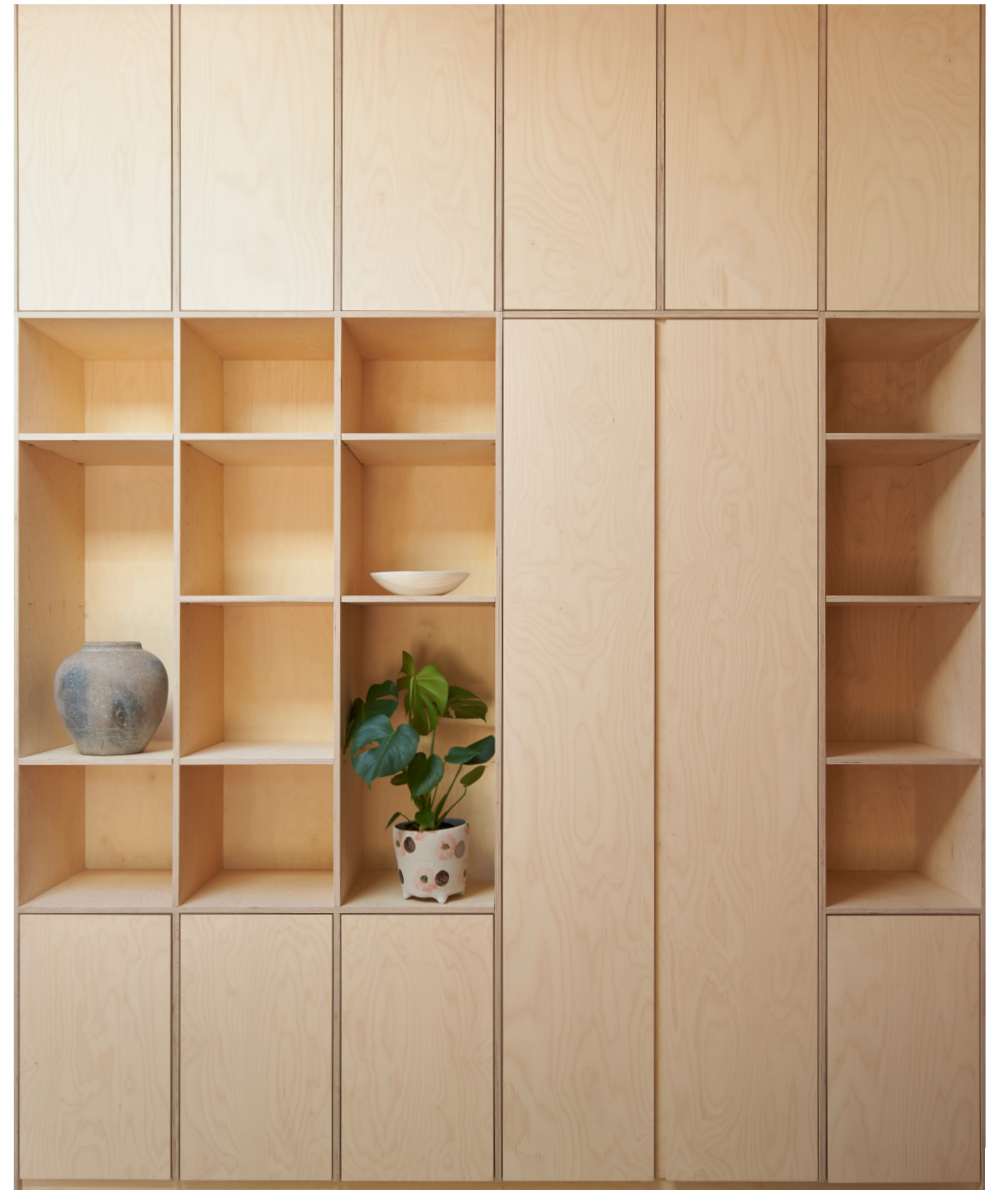
SUSTAINABLE



RECYCLABLE



LONG LASTING



# WARDROBE PROCESS

*How to create your perfect piece*

1. 

## MEASURE YOUR SPACE

So Watt will conduct a thorough check-measure if you go ahead with us, so this is just to get a general understanding of the room size, and any obstructions we need to work around like doors and window.

2. 

## CONFIGURE YOUR WARDROBE

Play around with different storage modules, from drawer banks to hanging and open shelves to desk nooks! This is where you can have a lot of fun creating your bespoke design.

3. 

## CHOOSE YOUR MATERIALS

The final quote will depend on the materials and finishes you select. It's helpful to choose something to start with, we can always explore other options before finalising!

# 1. Measuring Your Space



## What Are The Basics Of Measuring For Joinery?

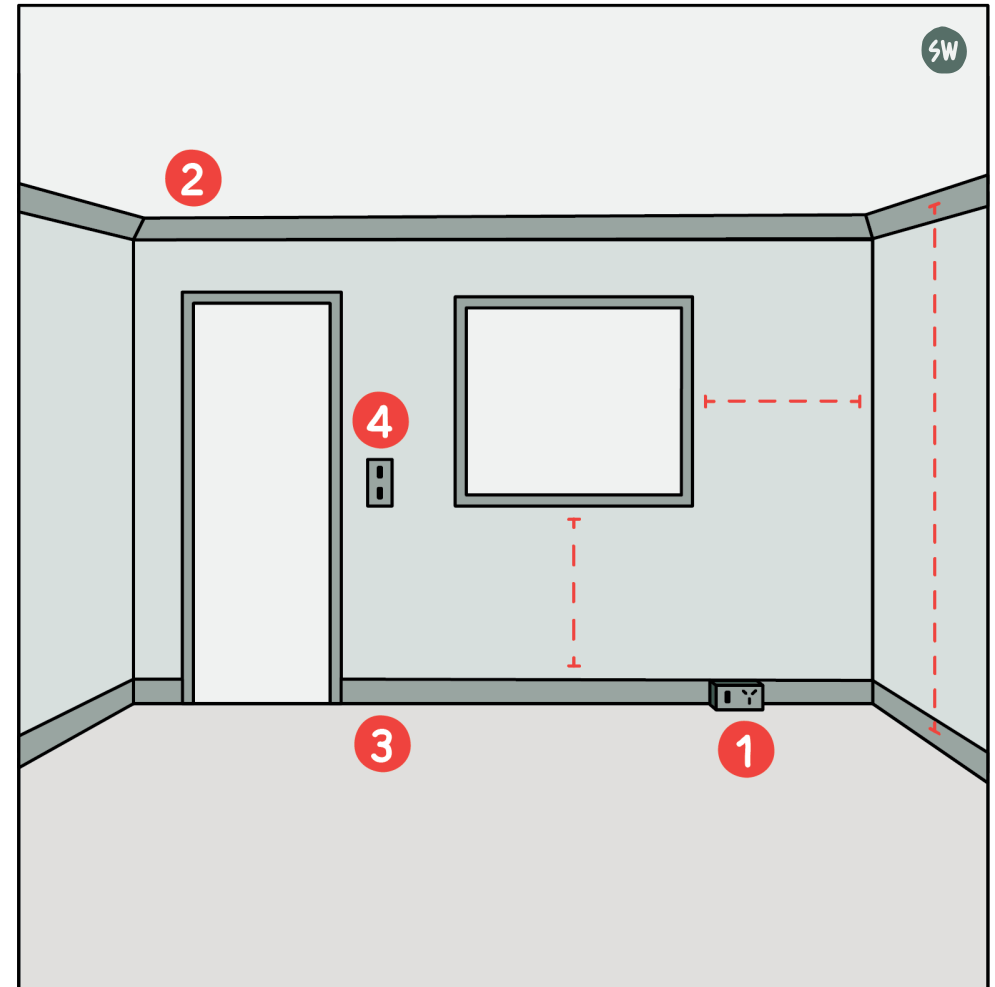
It's easy to measure a room for a built-in joinery quote! The most important thing is to check the width and length of your room at a few different points. You would be surprised how many rooms are out of square, and floor levels are almost always on a slope. Send us the average width, length, and height you have measured; we will use this to give you an estimate and check it ourselves before manufacturing.

## Extra Things To Look Out For When Measuring Your Space

Obstructions are elements within the room that will 'obstruct' us from installing your joinery or affect its daily use. Let us know in as much detail as you can things like skirting board sizes (3), door and window locations, light switch positioning (4) and other furniture or appliances you will need us to work around.

## What to do With Your Ceiling

You hardly notice them normally, but architraves and cornices (2) have a big impact on built-in joinery sizing and function. Cupboard doors need to be clear of any cornices around your ceiling so that they can open without hitting them. Drawers that open near your wall need to be set off from the edge to avoid hitting the architrave around a nearby doorway. So Watt always pays close attention to these details to ensure the finished installation is clean and considered. We recommend shadow lines with fill strips set back to prevent nooks for dust to collect, or we can cut end panels into your architrave to give the appearance the joinery was there first.



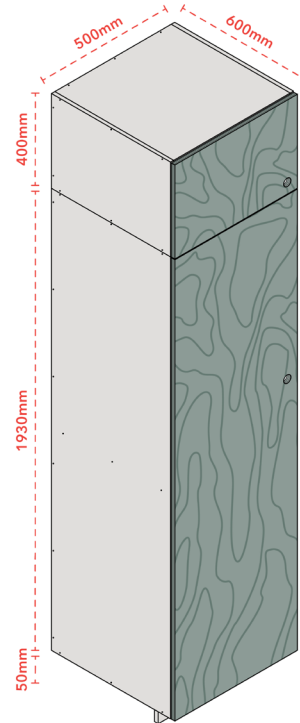


# 2.1 Design by Module



Combine So Watt's pre-designed modules for an indicative style and price for your wardrobe.

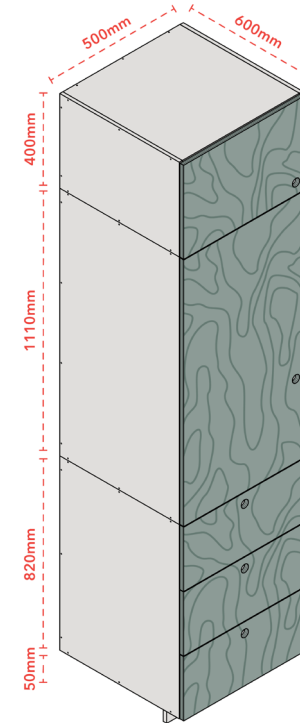
*Note: Prices are an approximation.*



**Module A - Cupboard**

Starting at \$1,400 (500mm W)  
A Standard approach includes a hoop pine exterior doors and a white melamine particle board interior.

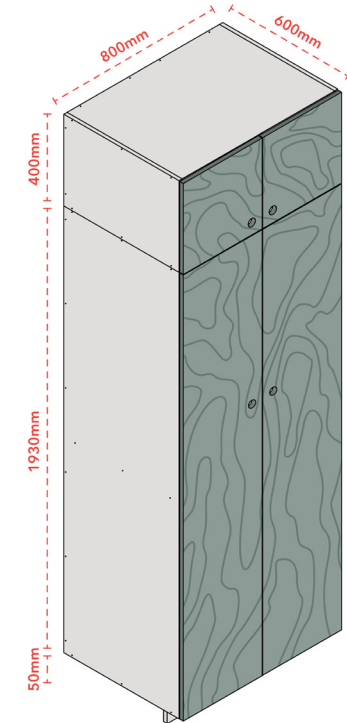
- For every additional 100mm in width + \$150
- Not including any end panels, internal shelves, rails etc.



**Module B - Drawer + Cupboard**

Starting at \$2,600 (500mm W)  
A Standard approach includes a hoop pine exterior doors and a white melamine particle board interior.

- For every additional 100mm in width + \$200
- Not including any end panels, internal shelves, rails etc.



**Module C - Double Cupboard**

Starting at \$2,750 (800mm W)  
A Standard approach includes a hoop pine exterior doors and a white melamine particle board interior.

- For every additional 100mm in width + \$150
- Not including any end panels, internal shelves, rails etc.

## 2.2 Add to Your Modules



Personalise your wardrobe with custom So Watt additions



### Built-in Desk

Built-in desks allow for seamless unbroken while still catering for the needs of every day.



### Open Shelves

Open shelves are a great way to show off your finest possessions that shouldn't be kept behind closed doors.



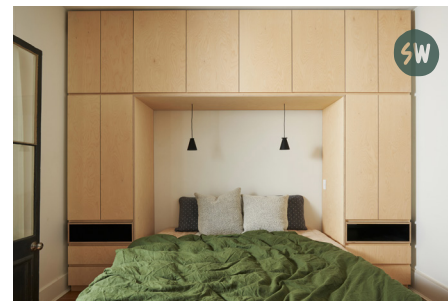
### Floating Storage

If windows, light switches or other obstructions are getting in the way of a full wall of cabinetry, then floating storage can maximize your cabinetry without compromising your space.



### Dresser Unit

Dressers can be great to show the wall behind, adding depth to a space as well as a functional space to get ready in the morning.



### Bed Nook

Create the ultimate expression of inner-city living.

# 3.1 Choose External Material

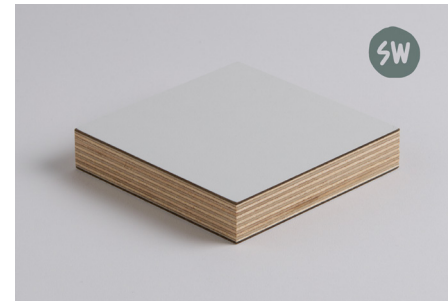


Choose the material that is most visible on your wardrobe.



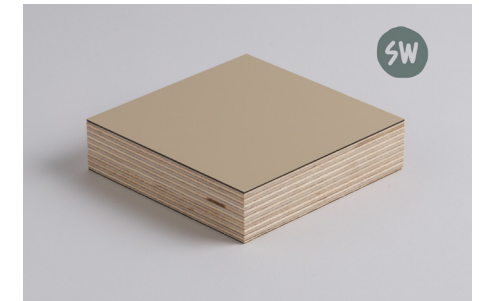
**Hoop Pine Plywood** (MP)

Hoop pine is a locally grown timber and as a result it does little travel from forrest to factory, making this a great ethical material choice.



**Laminex** (L)

Australian made Laminex laminates are a familiar durable option that look even better once pressed onto our Australian made hoop pine ply.



**Fenix** (F)

The award winning Italian Fenix NTM laminates have antibacterial and thermal self healing properties. Plus it's resistant to heat and scratches.



**Hardwood Plywood** (SG)

Spotted Gum ply has a dark grandeur about it with a rippling movement over the surface. Australian made, it is exceedingly hard and durable.



**Defy Plastic** (HD)

Made in NSW from local post consumer plastic like shampoo and milk bottles, this solid HDPE material is 100% waterproof with every sheet offering a unique pattern.



Find More  
Options  
Here

## 3.2 Choose Internal Material



Choose the material that the carcass of your wardrobe is made from.



**Particle Board** (PB)

Particle board is a cheap alternative to plywood that is usually used for applications that are not visible or are behind doors or drawers fronts.



**Carcass Plywood** (CP)

This is Poplar plywood with a melamine layer on both faces. We use this instead of particle board or MDF for a more sustainable internal structure.



**Hoop Pine Plywood** (MP)

Hoop pine is a locally grown timber and as a result it does little travel from forest to factory, making this a great ethical material choice.



**Defy Plastic** (HD)

Made in NSW from local post consumer plastic like shampoo and milk bottles, this solid HDPE material is 100% waterproof with every sheet offering a unique pattern.



**OSB** (OS)

OSB (Oriented Strand Board) is a raw textured material commonly used in structural work thanks to its strength while remaining lightweight. OSB is an easy way to add texture to your piece.



Find More  
Options  
Here



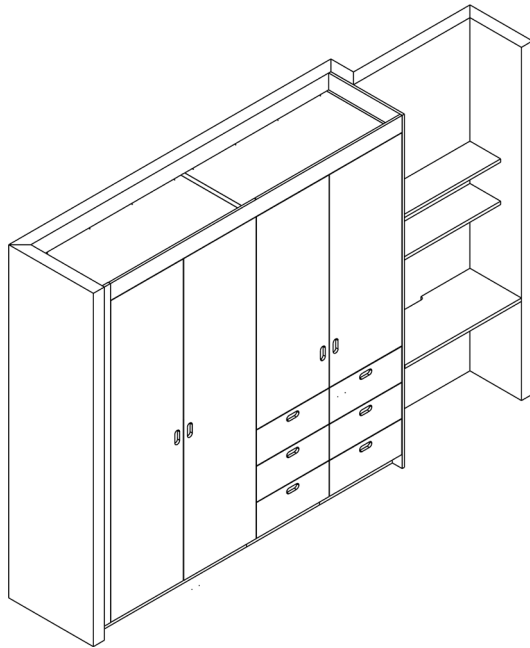
# Example Combination



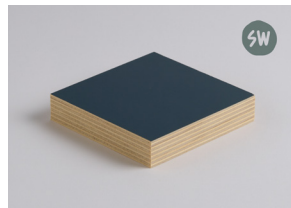
## How it Comes Together

By simply choosing your combination of modules, materials, finishes and further stylistic additions, your wardrobe can come together to create a truly unique outcome.

So Watt aims to design versatile building blocks so you can create organic solutions and meet your aesthetic desires.



Hoop Ply Exterior



Navy Blue Finish



White Particle Board Interior



Built-in Desk



# What Do We Need From You?

A bespoke commission is a collaboration between client, designer and maker. Communication is key to a fun and fulfilling project that stays true to your original vision and budget.

## Measurements

This is to help us give you as accurate an estimate as possible. It's great to have information early on in the project regarding specific possessions you are aiming to fit inside the joinery, or limitations to the sizing you need us to work around.

## Modules

There are so many ways to create a wardrobe, but most importantly it has to work for you. Are you a drawers person? Or do you hang absolutely everything? Tell us about your module preferences and we will configure it for you.

## Materials

Our curated material and finish collections are designed to work together, and we especially love working on joinery projects with strong material personality.

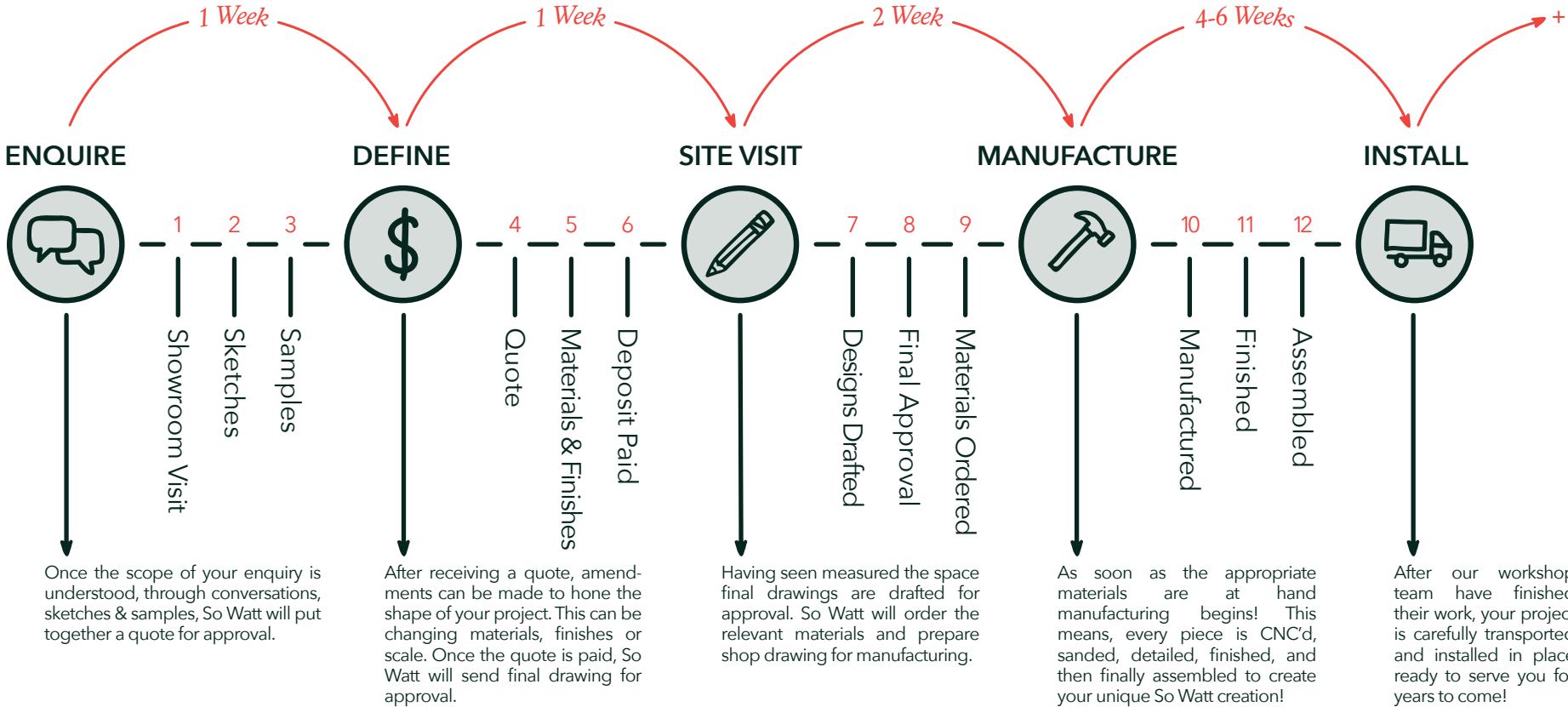
## Timeframe

If you are working towards a particular date, please let us know as soon as possible so that we can put a hold in our calendar for your install date.



# WARDROBE ROADMAP

*How To Expect Your So Watt Wardrobe To Flow*



# SO WATT

Furniture, Objects  
and Spaces

DESIGN

AUS

# ~~ORDINARY~~

