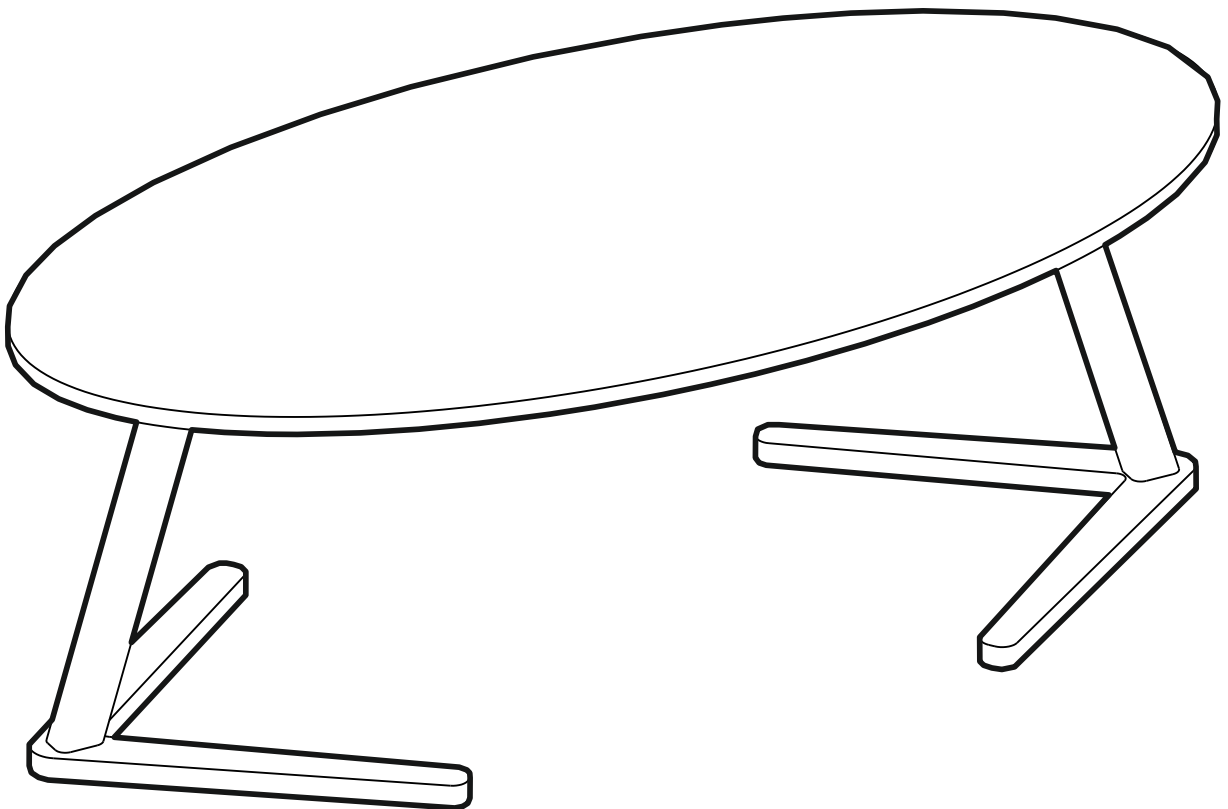


ELIPSO





Dear Valued Customer,

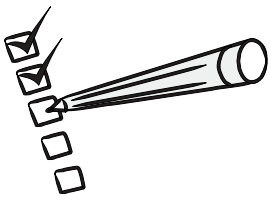
Congratulations, you bought a RuumStore product that we designed and produced with love and fun.

This product has been tested before shipment.

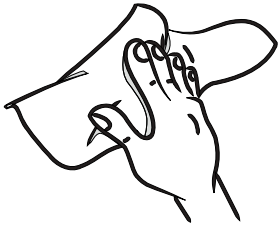
The following pages describe how to install the product safely and easily.

Before starting to combine, please check all parts and accessories according to the following parts list.

If you purchased more than one product, we recommend that you begin reviewing the assembly instructions to avoid confusion and installation errors.



Before you start combining, please clean all parts with a damp cloth.



Although we produce all of our products with great care, sometimes we encounter uncomfortable situations, or the product you purchase may be damaged during transportation. If your product has missing parts or damage, please share the problem with us using the contact information below.

100% customer satisfaction is guaranteed by RuumStore.

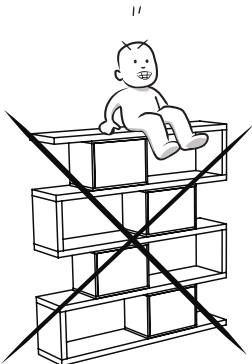


We manufacture our products to design your living spaces as you wish. When you buy, you are free to do anything with your new product. However, we would like to draw attention to some important warnings to avoid inconvenience.

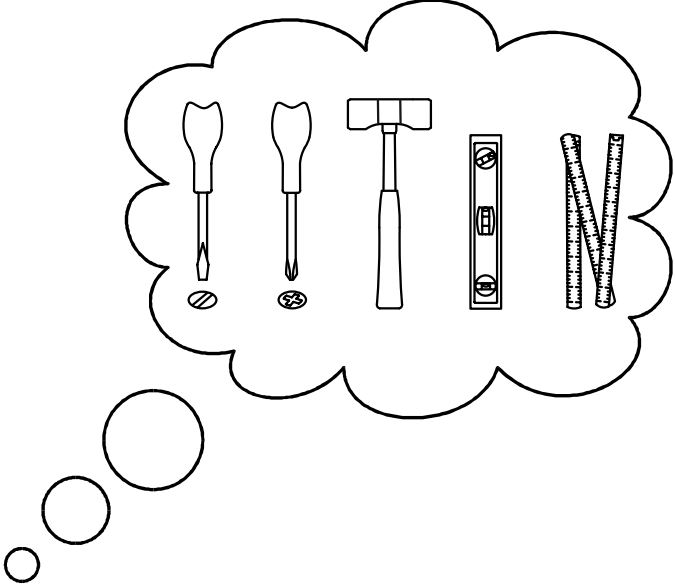
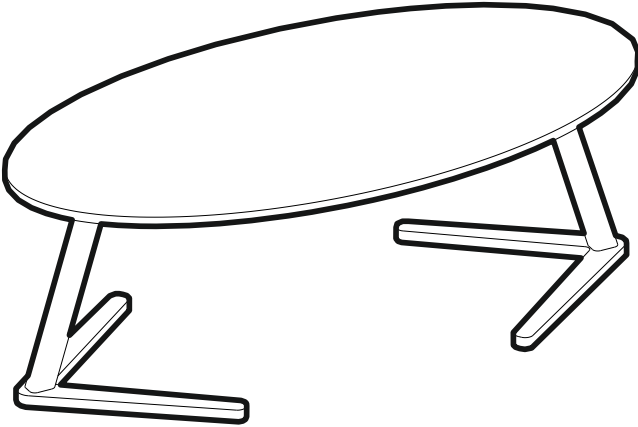
*Do not use your furniture out of purpose.

*Do not touch the product with excessive heat.

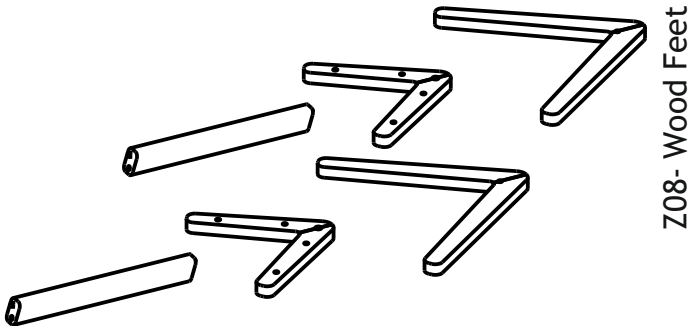
*Please note that excessively cold and moisture may adversely affect your product structure.



ELIPSO STAND

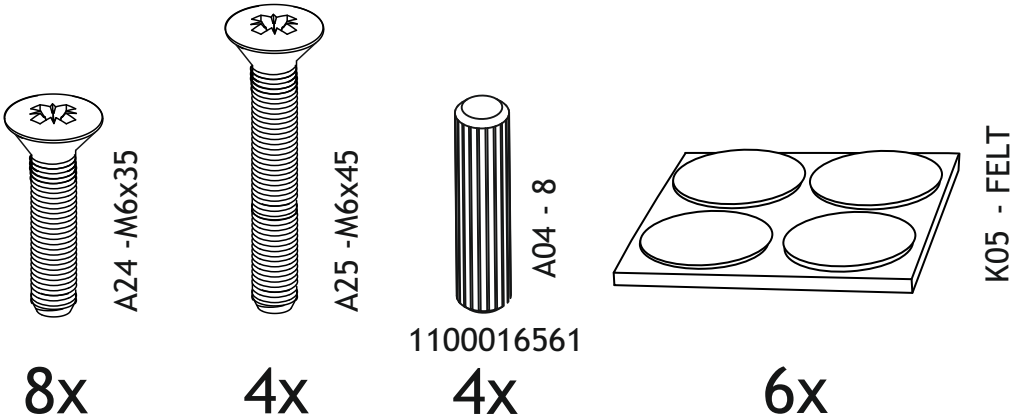


TOOLS & INSTALLATION COMPONENTS



Z08- Wood Feet

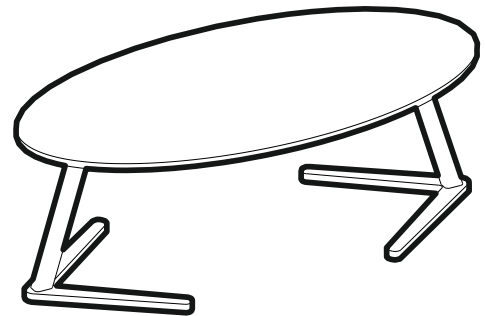
2x



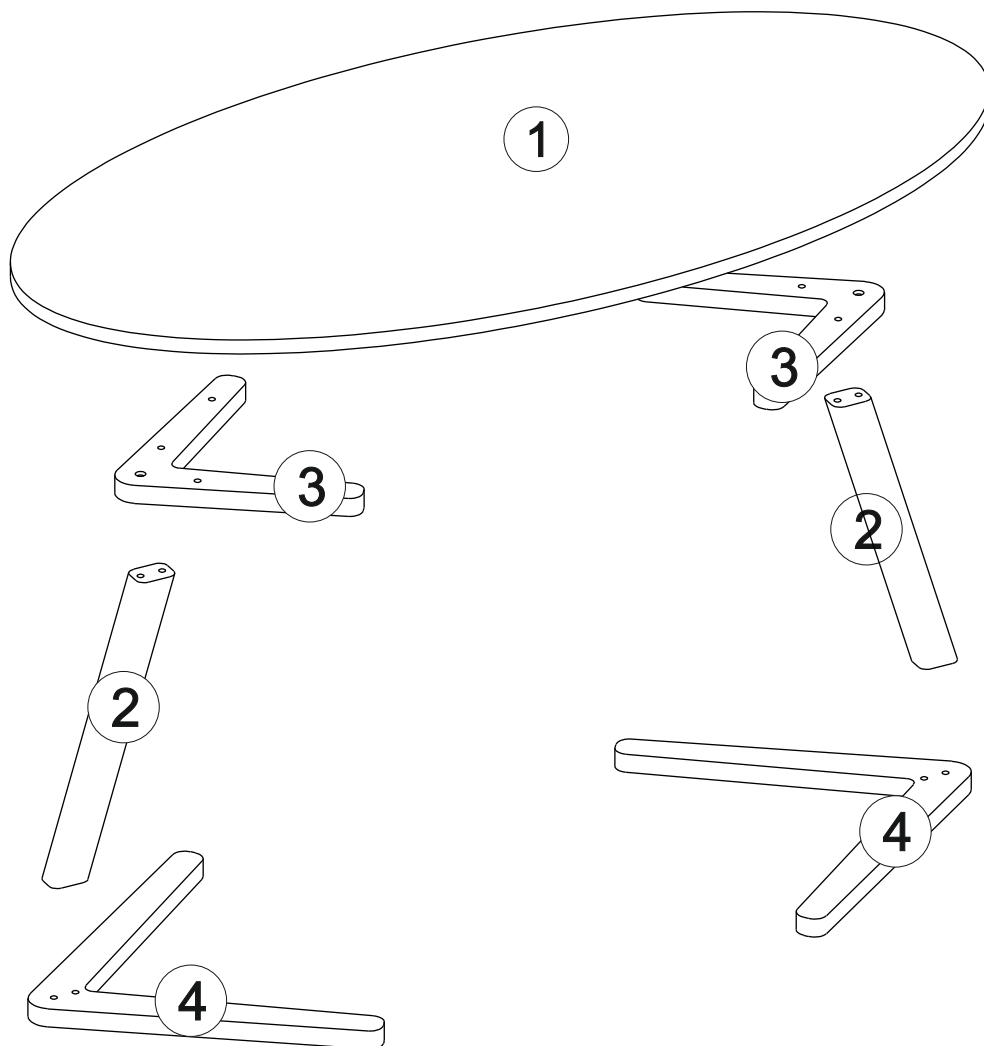
Part #1	1x
Part #2	2x
Part #3	2x
Part #4	2x

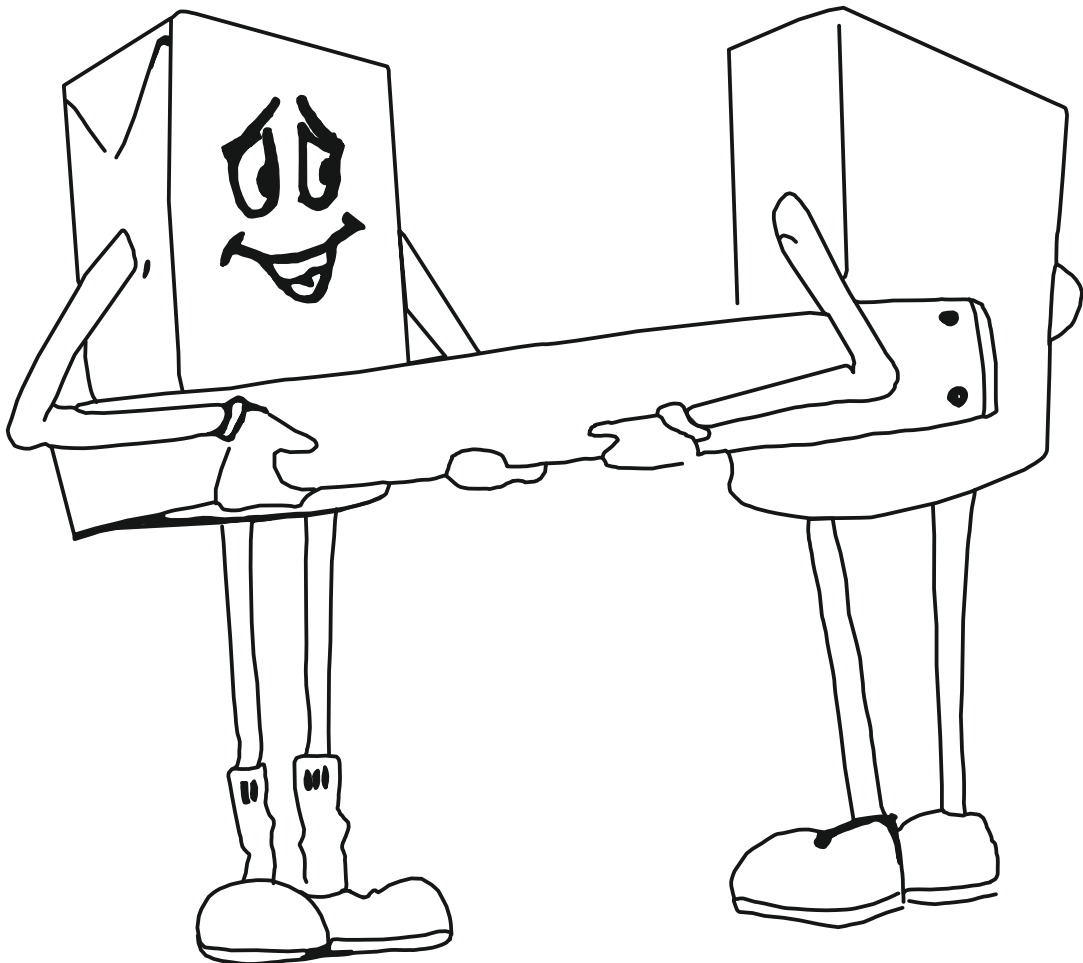
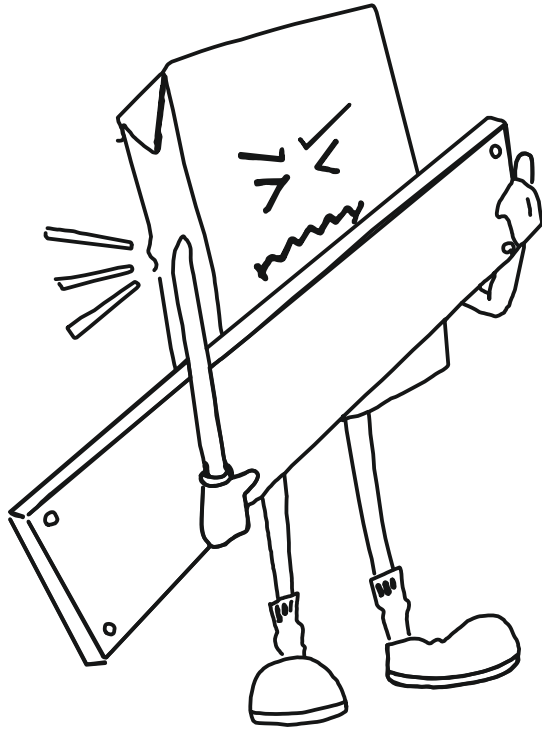
ELIPSO STAND

Total **7x**

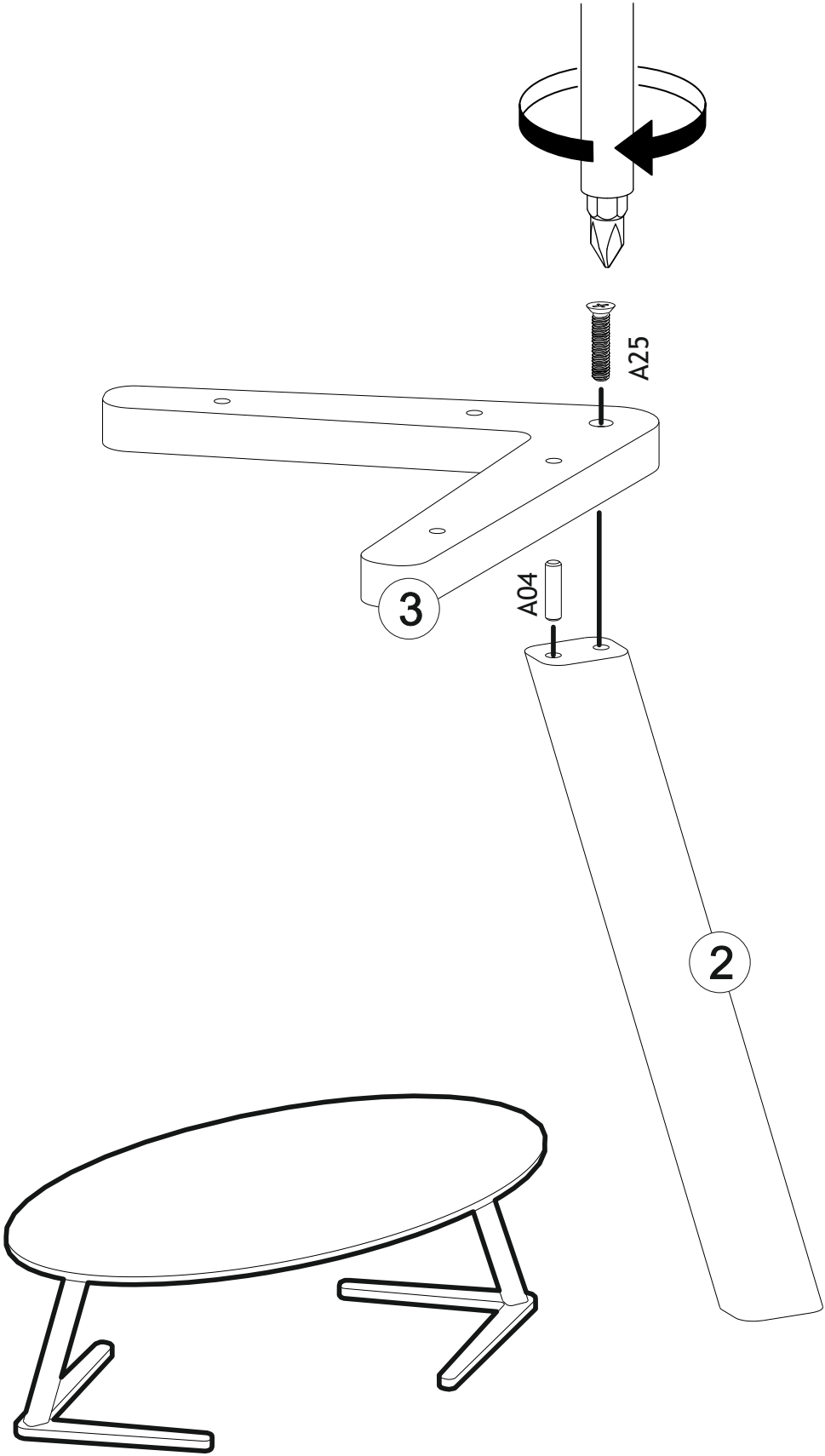


Disassembled Parts

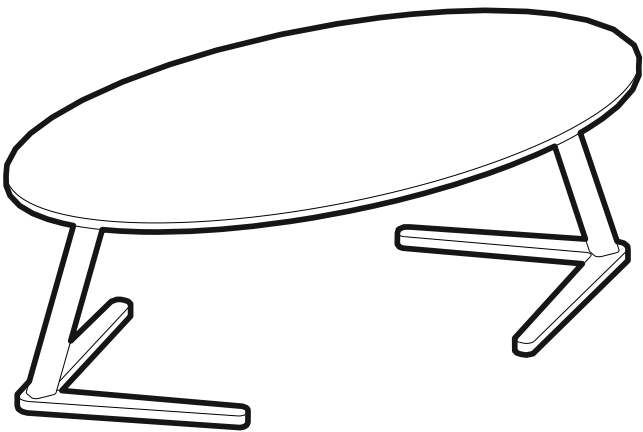
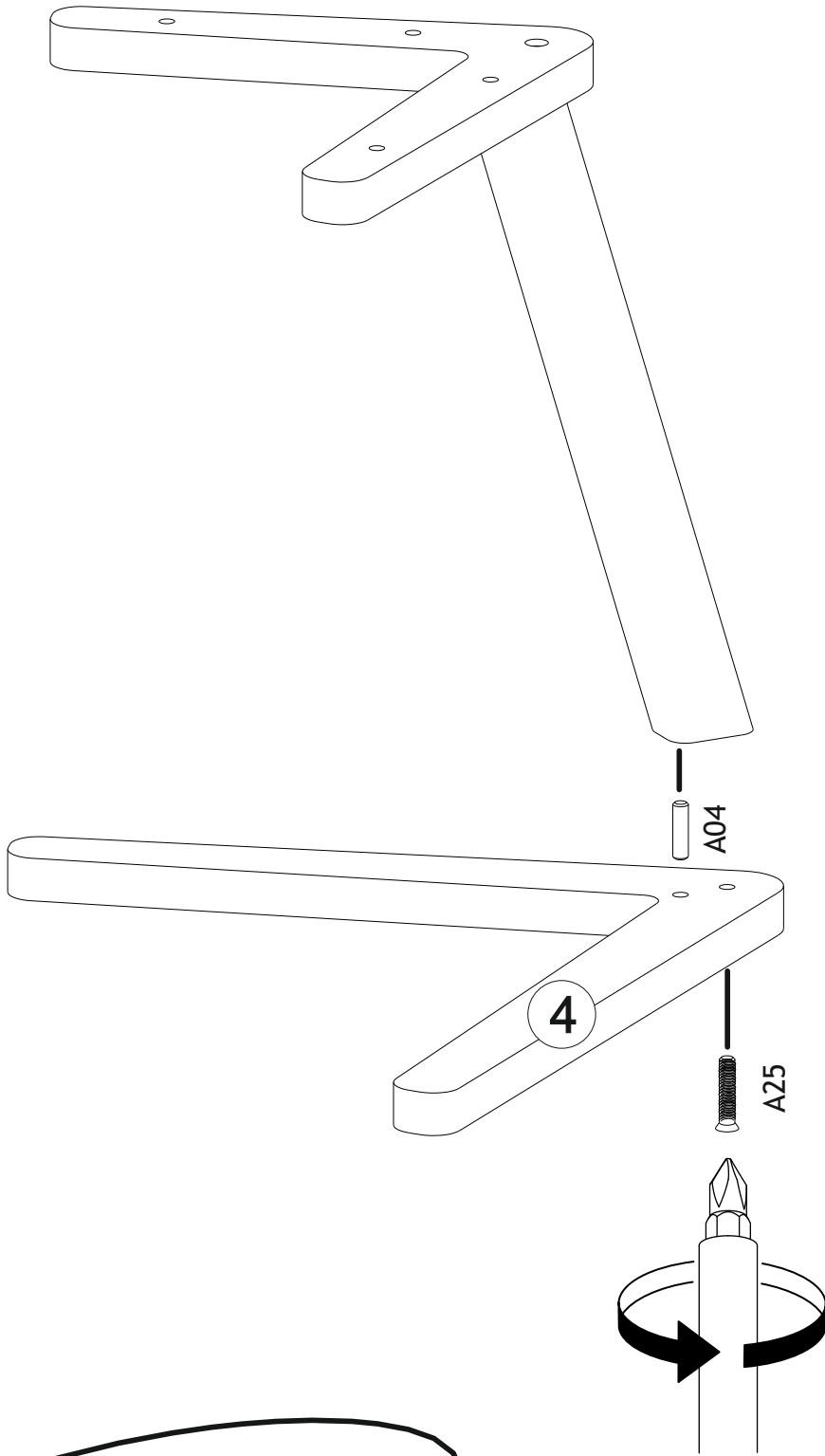




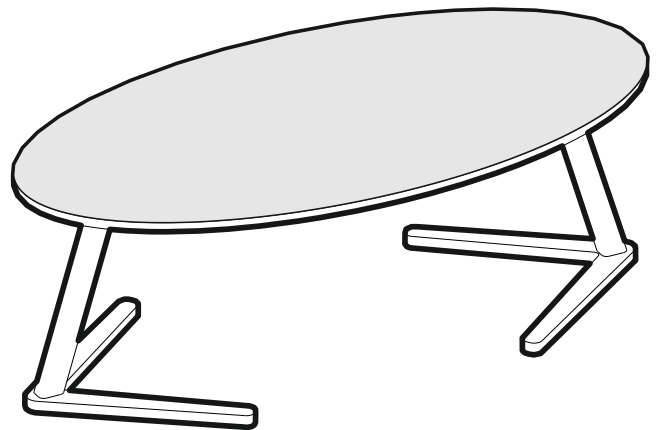
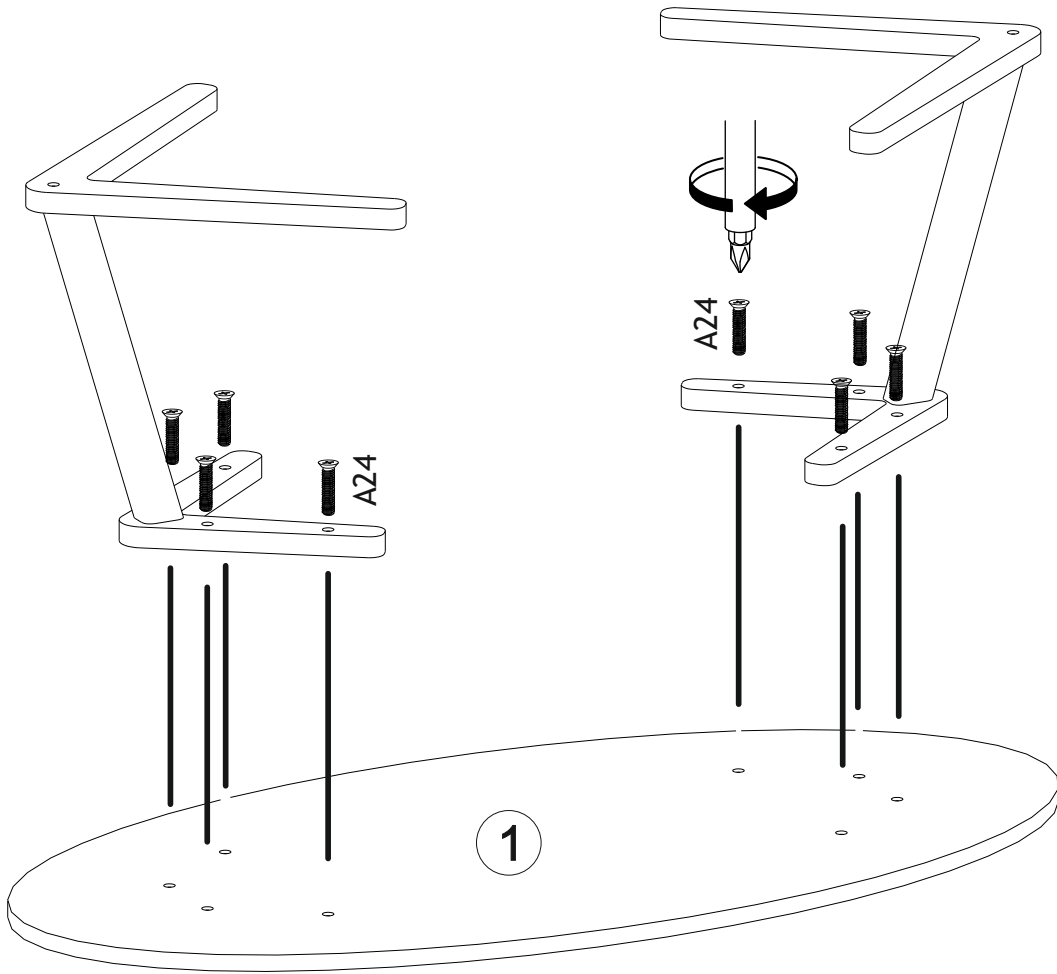
1



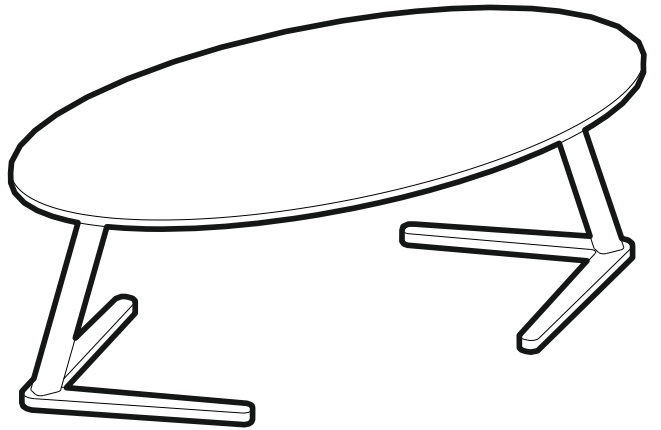
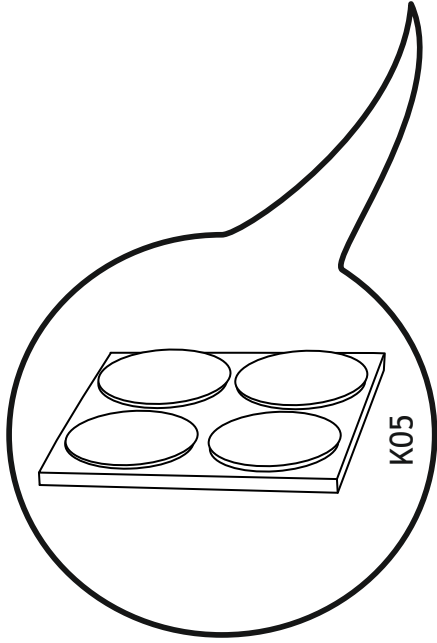
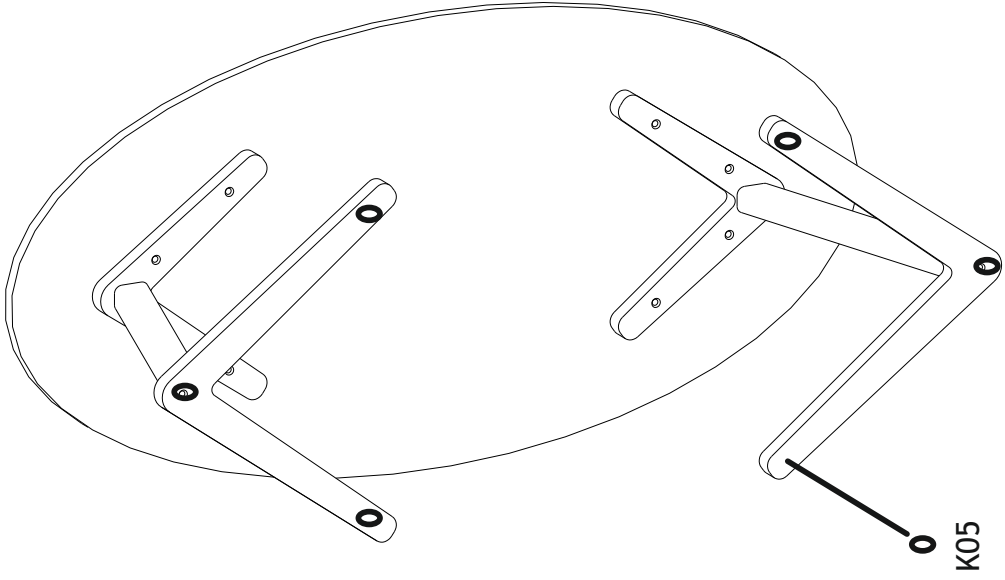
2



3



4



<http://www.ruumstore.co.uk>