



Colour  
is our nature

## 8A DALI Dimmable Constant Voltage LED Drivers

### Input characteristics

Input voltage DC	12-28V
Input current	8A max, irrespective of PSU voltage

### Output characteristics

LED output load	8A max, irrespective of whether using one or both LED outputs
LED output voltage	12V - 28V
LED outputs	2
Circuit protection	To prevent excessive output current from damaging the LED driver, it is highly recommended to use circuit protection appropriate for your application's nominal and inrush current requirements in combination with an OVP, OVC short circuit protected AC/DC adapter.

### Control characteristics

Control channels	1 (D2Z1D) 2 (D2Z2D)
Dimming protocol	DALI
Dimming range	100%-0%
Dimming curve	linear, logarithmic
LightShape	Dim to warm (D2Z1D) Tunable white (D2Z2D)
Dimming method	HydraDrive
Driver configuration	with TOOLbox pro and FluxTool software

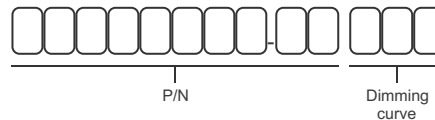
### Product offering



**LINEARdrive 200D-D2Z1D** **P/N: LN200D-D2Z1D1**  
LINEARdrive DC, 8A, 12-24VDC, DALI, 1 control channel, 2x LED outputs, constant voltage, plastic long

**LINEARdrive 200D-D2Z2D** **P/N: LN200D-D2Z2D1**  
LINEARdrive DC, 8A, 12-24VDC, DALI, 2 control channels, 2x LED outputs, constant voltage, plastic long

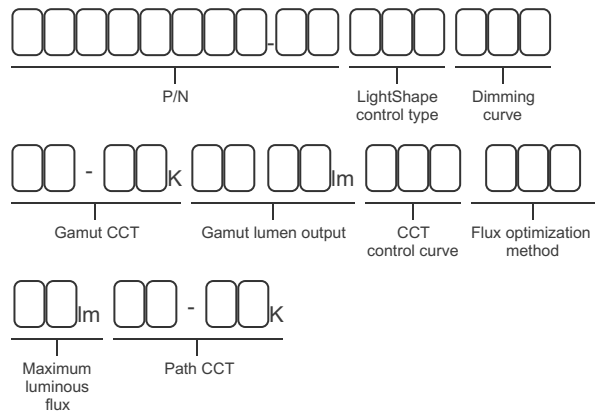
### Order number configuration - Standard



P/N: LED driver part number.

Dimming curve: enter "LOG" for logarithmic (default) or "LIN" for linear dimming curve.

### Order number configuration - LightShape



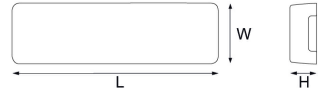
LightShape control type "DTW" for Dim to warm (D2Z1D)  
"TWH" for Tunable white (D2Z2D)

Gamut CCT	LightShape-specific option. Enter the LEDs' CCT as "XX-YY" where XX is LED output 1 and YY is LED output 2. Available options per output: 18, 20, 22, 25, 27, 30, 35, 40, 50, 57 and 65. E.g. "18-50" for 1800K on LED output 1 and 5000K on LED output 2.
Gamut lumen output	Enter the lumen output range for LED output 1 and 2 as "XX-YY" where XX is LED output 1 and YY is LED output 2. Available range per output: from "01" for 100lm to "99" for 9900lm. E.g. "10-12" for 1000lm on LED output 1 and 1200lm on LED output 2.
CCT control curve	For Tunable white only: Enter the required CCT control curve: "LOG" for logarithmic, "LIN" for linear
Flux optimization method	For Tunable white only: Leave blank if a consistent luminous flux output over the full CCT range is required (default); enter "MAX" if the luminous flux must be limited to a maximum value for all outputs combined.
Maximum luminous flux	For Tunable white only: If Flux optimization method is set to "MAX", specify the required lumen output, e.g. "12" for 1200lm. If left blank it is constant (default).
Path CCT	Leave blank if Path CCT requires the same values as Gamut CCT. Or specify the Path CCT values as "XX-YY" where XX is LED output 1 and YY is LED output 2. Available options per output: 18, 20, 22, 25, 27, 30, 35, 40, 50, 57, 65. E.g. "18-50" for 1800K on LED output 1 and 5000K on LED output 2.

## Dimensions, weight and packaging

### LINEARdrive 200 series

LxWxH	153x50x23mm / 6.02x1.97x0.91in
Weight	120 g / 4.2 oz
Items per carton	12 pcs

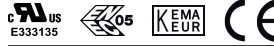


## Standards and certifications

### Standards compliance

EN	61347 62386-101/102/207
RoHS	RoHS2
UL, Recognized Component	UL 1310, UL 8750

### Certifications



## Wiring Specifications

Wire type	AWG 24-16, 0.2-1.5mm <sup>2</sup>
Wire strip length	9mm / 0.35in

## Thermal specification

Ta operating range	-20 °C ... +50 °C / -4 °F ... +122 °F
--------------------	---------------------------------------