

Silver Cross[®]
for
ASTON MARTIN



**IMPORTANT:
KEEP THESE INSTRUCTIONS FOR
FUTURE REFERENCE**

Read these instructions before use and keep them for future reference. Your child's safety may be affected if you do not follow these instructions.

Your Silver Cross Surf – Aston Martin Edition is a high quality Silver Cross product. It meets current British and European safety standards. Care and regular light maintenance will ensure long service.

This pushchair is suitable from birth up to 9kg with the Carrycot and from 6 months up to 15 kgs using the Seat Unit.

If somebody unfamiliar is using your Silver Cross Surf – Aston Martin Edition always ensure that they read these instructions carefully so that they understand how the product works best.

The Silver Cross Surf – Aston Martin Edition is designed and tested to be used with the Silver Cross Ventura Plus S Car Seat, and Silver Cross Simplicity Infant Carrier all sold separately.

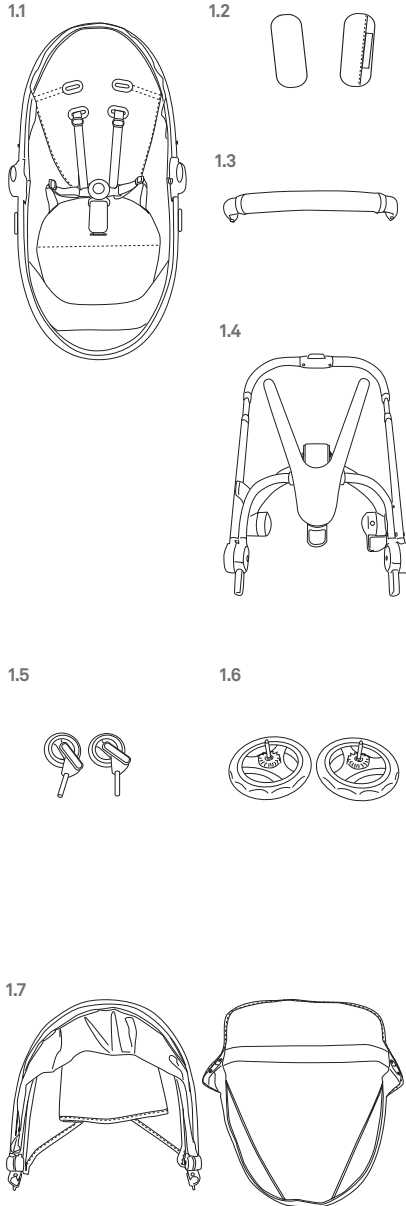
Always read all the instructions provided carefully and remember, the safety of your child is your responsibility.

⚠ WARNING: It may be dangerous to leave your child unattended.

Contents

First check all your parts have been supplied. Your Silver Cross Surf – Aston Martin Edition includes:

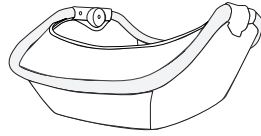
- 1.1 Seat unit with harness
- 1.2 Chest pads
- 1.3 Bumper bar
- 1.4 Chassis
- 1.5 Front wheels
- 1.6 Rear wheels
- 1.7 Seat Unit Hood and Apron
- 1.8 Cup holder
- 1.9 Shopping basket
- 1.10 Sunshade
- 1.11 Carrycot, Mattress, Liner & Bumper bar
- 1.12 Carrycot Hood and Apron
- 1.13 Seat Unit Raincover
- 1.14 Carrycot Raincover



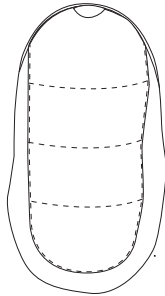
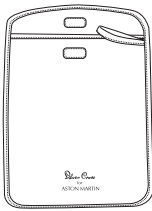
1.8



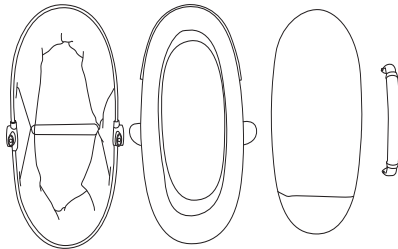
1.9



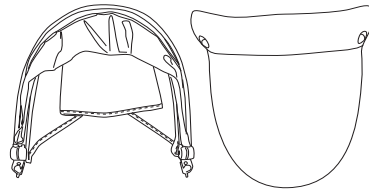
1.10



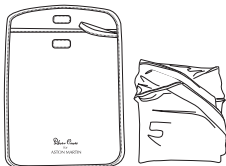
1.11



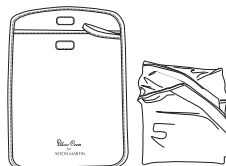
1.12



1.13



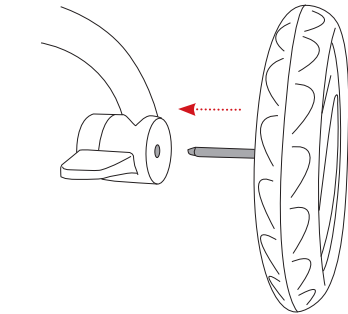
1.14



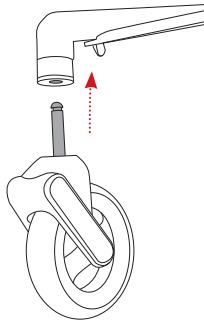
Preparation for use

Remove all packaging material from your Silver Cross Surf – Aston Martin Edition. To use your Silver Cross Surf – Aston Martin Edition from birth you must use the Silver Cross Surf – Aston Martin Edition Carrycot (included).

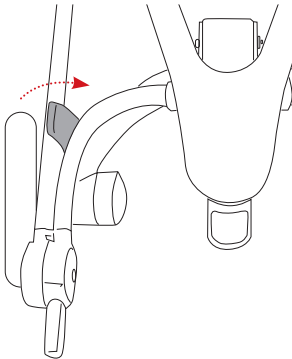
- **WARNING:** Check that the carrycot or seat unit is correctly engaged before use.



2.1



2.2

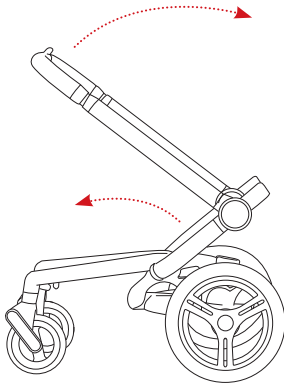
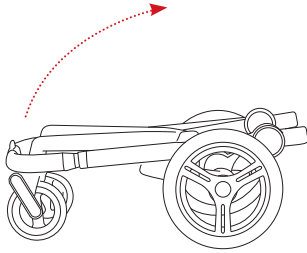


Silver Cross Surf - Aston Martin Edition chassis (continued)

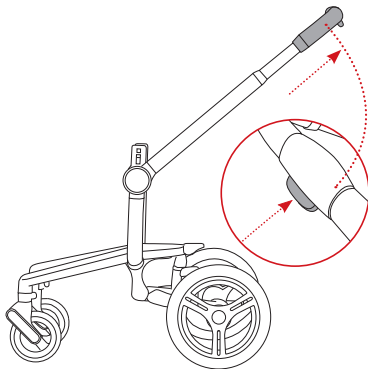
- 2.3 Lift the handle upwards and flick forwards, while holding the handle tightly, the frame 'clicks' and locks into position. Always check that the frame is secure.
- 2.4 Apply the brake (see point 25.1) and adjust the handle height by pushing the adjustment button in. Slide the handle up or down and release the adjustment button. The handle will lock and 'click' into position.

Your chassis is now ready for use.

2.3



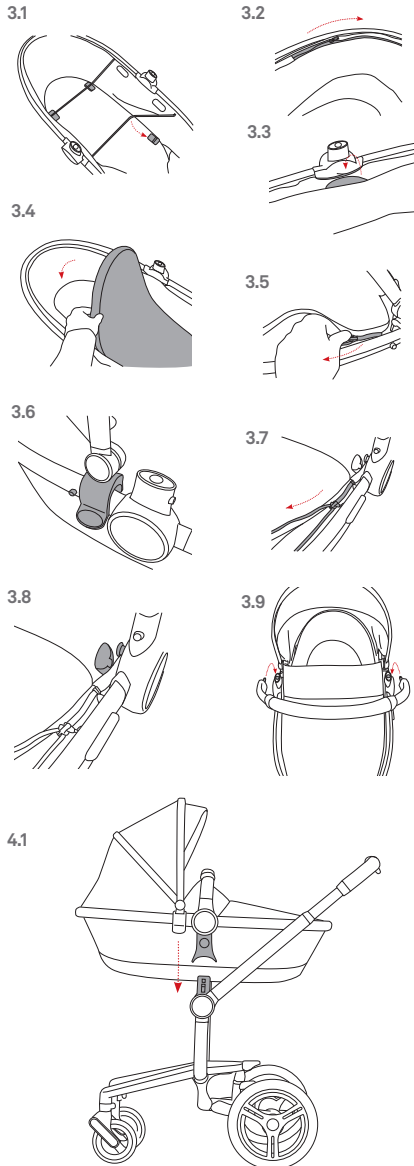
2.4



Using your Silver Cross Surf - Aston Martin Edition from birth

Preparation for use

Remove all packaging material from your carrycot.



3.1 First erect the carrycot outer. Lay the carrycot outer down with frame upper most. Press the 2x metal bars into the locators on internal base of carrycot. A small groove in the locator holds the frame in position.

3.2 Attach the carrycot liner to the carrycot outer. Fasten each inner zip. There is one at each end of the liner.

3.3 Pass the two D-shaped parts of the liner between the liner and the outer and fasten the velcro patches to secure the liner in place.

3.4 Place the mattress into the base of the liner.

3.5 Zip your hood to the zip on the carrycot outer.

3.6 Attach the hood to the frame by pressing down on the hood attachment clips on each side of frame.

3.7 Fit the apron by zipping it to the Carrycot outer.

3.8 Slide the apron flap clips over the attachment points on the inside of the carrycot frame.

3.9 Attach the bumper bar by pressing the ends of the bumper bar into the attachment points of the carrycot frame. Wait to hear them 'click' into place. Lift gently to ensure the bumper bar is locked in place. Fold the apron flap over the bumper bar to hold it in place.

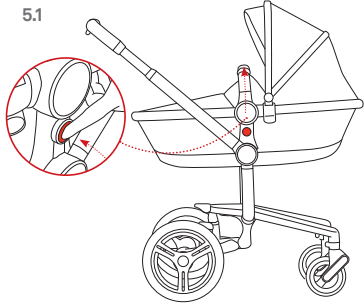
+ **WARNING:** Please ensure the bumper bar is fully locked in place whenever lifting your child in the carrycot. Your child's safety is your responsibility.

+ **WARNING:** Ensure all locking devices are engaged before use.
Your carrycot is ready to use.

Attaching the carrycot to your chassis

4.1 To attach your carrycot to the chassis hold the carrycot above the chassis. Locate the carrycot chassis connector onto the attachment post of the chassis. Ensure the carrycot 'clicks' into place. The carrycot should be fitted rearward facing. Lift the carrycot gently by the bumper bar to check it has locked into place.

+ **WARNING:** Do not add a mattress other than the one provided.



Detaching the carrycot from your chassis

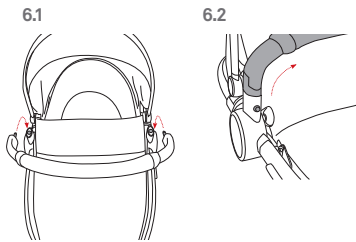
- 5.1 With the carrycot facing you press the red release button first located on the side of the carrycot until it clicks into place.

WARNING: This button is now unlocked. It will re-lock automatically when the carrycot is re-attached to the chassis.

Then while pressing and holding the other black release button on the opposite side of the carrycot, lift the carrycot from the chassis using the bumper bar.

WARNING: Always ensure your bumper bar is attached when your child is in the carrycot.

The seat unit will now lift clear of the chassis.



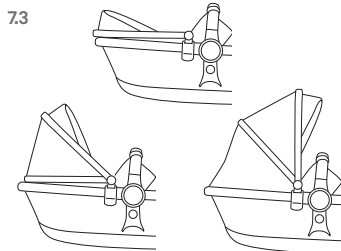
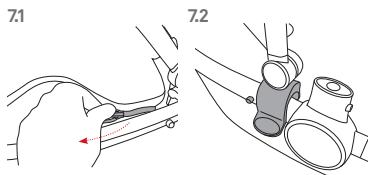
Using your carrycot bumper bar

- 6.1 To attach, simply press both ends of the bumper bar into the connector points on the seat unit. Wait for it to 'click' in place.

- 6.2 To detach, press the bumper bar release button on the carrycot frame with one hand and pull the bumper bar away from the connector point with the other hand. The bumper bar will rotate.

To detach both sides repeat point (6.2) above. With one side of the bumper bar removed the carrycot is easily accessible.

WARNING: The bumper bar must be securely connected at all times when in use. The safety of your child is your responsibility.



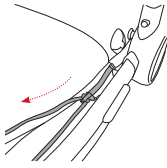
Using your carrycot hood

- 7.1 Zip the back of the hood to the top of the carrycot frame taking care to engage the zip properly.

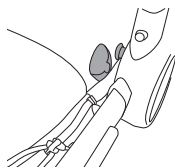
- 7.2 Your hood fits to the carrycot frame by pressing the hood clips down onto the frame below the round black plastic locator.

- 7.3 Your hood can be used in 3 positions. Fully covered, partly covered and fully open.

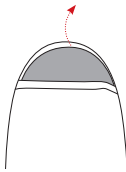
8.1



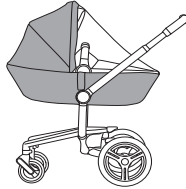
8.2



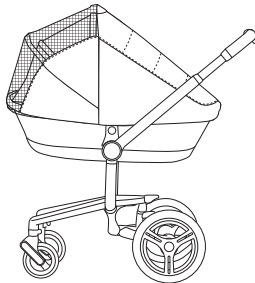
9.1



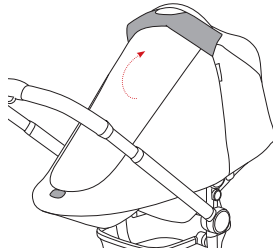
10.1



11.1



11.2



Using your carrycot apron

- 8.1 To attach the apron, zip the apron to the carrycot outer.
- 8.2 Slide the apron flap clips over the attachment points on the inside of the carrycot frame.

Using your carrycot liner and mattress

- 9.1 Your carrycot mattress is removable. Simply lift it out of the liner. To clean your mattress cover refer to the Care Guide. Remove the foam mattress insert prior to cleaning by opening the flap on the back of the mattress cover and removing the foam mattress. The carrycot has a removable liner. Simply unzip each end and release the Velcro fastenings to remove it. To fit the liner and mattress see preparation for use points (3.1-3.4).

Using your raincover

- 10.1 Your carrycot raincover should be used when the hood is attached to the carrycot. First slide over the hood and down towards the foot of the carrycot. Velcro fastenings secure the carrycot sides around the chassis. A zip gives easy access to your child.

WARNING: Never leave your child in the pram with the raincover fully fitted other than in normal outside use.

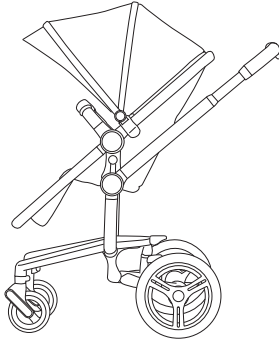
Using your sun shade

Your summer shade/insect net can be used with your carrycot and Seat Unit.

- 11.1 Attach your sun shade by pulling over your fully open hood and ensuring the elastic edge is secured around the seat.
 - 11.2 Your sun shade has a fabric panel on the front which can be fully rolled up for maximum ventilation or rolled down to create more shade if required. The fabric panel can be secured in place using the velcro squares.
- WARNING:** Do not leave your child for long periods with the sun shade attached.

Using your Silver Cross Surf - Aston Martin Edition as a pushchair

12.1

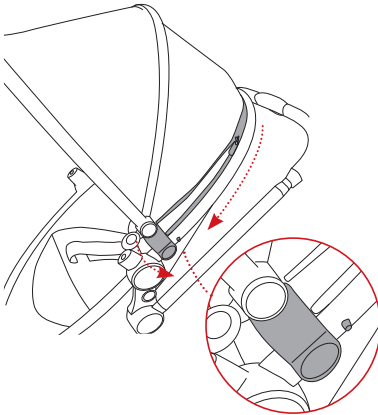


12.1 Your seat unit can be fitted to the chassis in rearward facing position (infant facing you) or forward facing position (infant facing away from you). Follow point (14.1) to attach the seat unit to the chassis.

Adjust the seat unit to the desired position. See point (22.1). Secure the apron see point (13.4). Your Silver Cross Surf – Aston Martin Edition is ready to use.

Preparing the seat unit

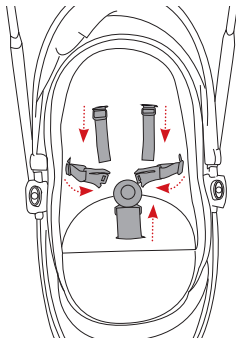
13.1



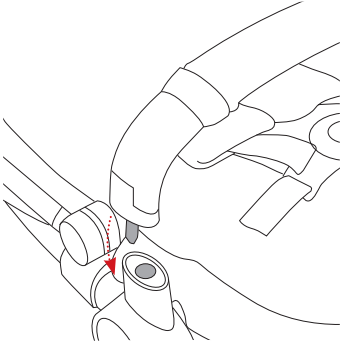
13.1 First, zip the hood to the back of the seat frame taking care to engage the zip properly. Attach the hood by pressing down on the hood clips on either side of the seat frame below the round black plastic locator.

13.2 Thread the harness through the buttonholes, slide the chest and buckle pads over the harness and secure the harness buckle. (see point 17.4).

13.2



13.3

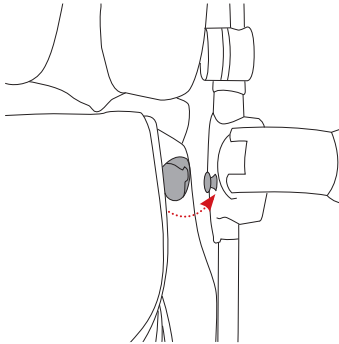


Preparing the seat unit (continued)

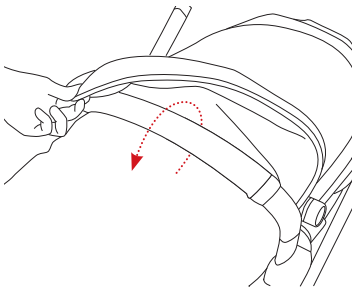
13.3 Fit the bumper bar to the seat unit by placing the metal ends of the bumper bar into the fixing points on the seat unit. Wait to hear the bumper bar 'click' into place.

⚠ WARNING: Always ensure your bumper bar is attached when your child is in the seat unit.

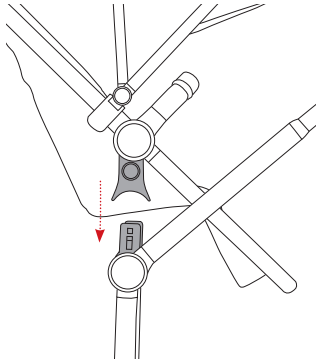
13.4 Slide the apron flap clips onto the attachment points on the inside of the seat frame. Fold the apron flap over the bumper bar using the hidden magnets to secure it in place and to enclose and secure your child. To secure, release and adjust the harness see points **(16.1-16.5)**



13.4



14.1



Attaching the seat unit to your chassis

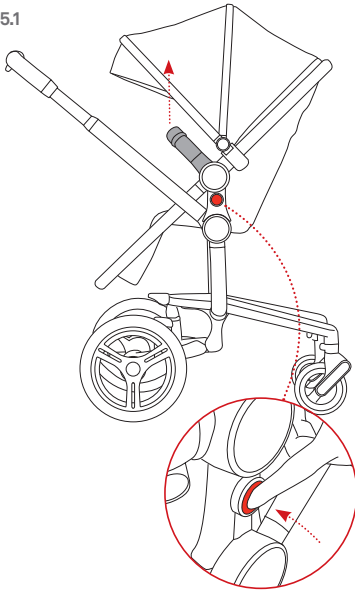
- **WARNING:** Ensure all locking devices are engaged before use.

14.1 To attach your seat unit to the chassis hold the seat unit above the chassis. Locate the seat unit chassis connector onto the seat attachment post of the chassis. Ensure the seat unit 'clicks' into place. The seat unit can be fitted forward or rearward facing. Lift the seat unit gently by the bumper bar to check the seat has locked into place.

To adjust the seat position (see point 22.1).

Detaching the seat unit from your chassis

15.1



15.1 With the seat unit facing you press the red release button first located on the side of the seat unit until it clicks into place.

- **WARNING:** This button is now unlocked. It will re-lock automatically when the seat is re-attached to the chassis.

Then while pressing and holding the other black release button on the opposite side of the seat unit, lift the seat unit from the chassis using the bumper bar.

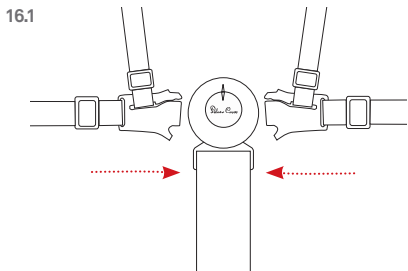
- **WARNING:** Always ensure your bumper bar is attached when your child is in the seat unit.

The seat unit will now lift clear of the chassis.

- **Note:** Remove the child from the seat unit before detaching from your chassis.

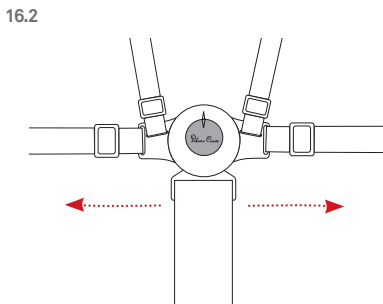
Using the harness

- **WARNING:** Always use the crotch strap in combination with the waist and shoulder straps.

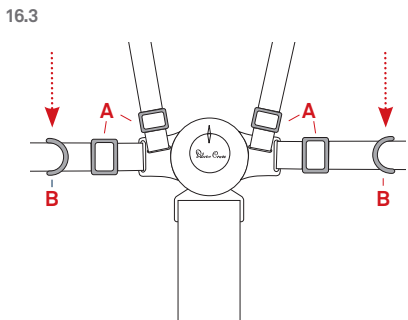


- 16.1 To fasten the harness insert both buckle clips into each side of the buckle. Listen for the 'click'.

- **WARNING:** Always use the harness provided.



- 16.2 To release the harness press the button at the centre of the buckle and pull apart. The shoulder straps can be unhooked from the buckle if required.

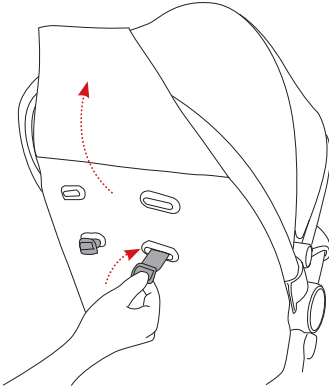


- 16.3 Your harness is fully adjustable by moving the slides (A), to make fitting easy. 'D' rings are provided for fitting a separate harness if required (B). Any additional harness must comply with BS 6684. Your child should always be harnessed in and should never be left unattended, even for short periods of time.

Your harness can be adjusted for the size of your child.

Using the harness (continued)

174

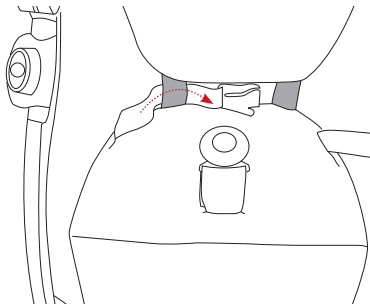


174 The shoulder straps have 2 height positions.

To adjust, first lift the flap on the back of the seat unit. Thread the harness buckle from the back of the seat unit through to the front of the seat unit and allow the buckle to lay flat behind the seat securing the shoulder strap in place.

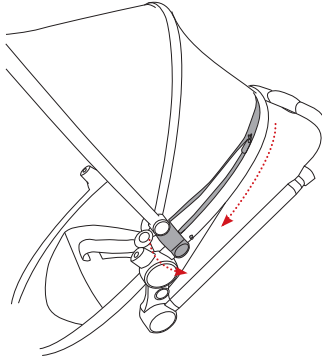
175 The waist straps can be reduced to fit a smaller child by threading them through the loops on the seat.

175



Using your hood

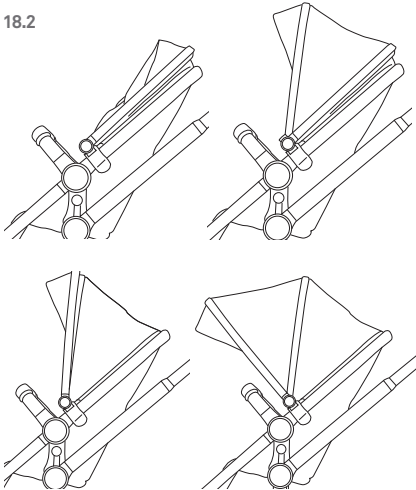
18.1



18.1 Zip the hood to the back of the seat frame taking care to engage the zip properly. Attach the hood by pressing down on the hood clips on either side of the seat frame below the round black plastic locator.

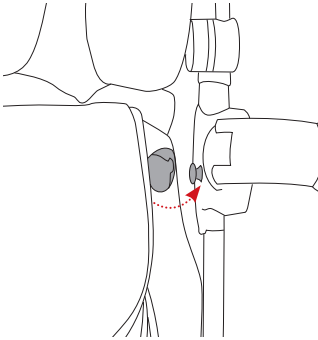
18.2 Your hood can be used in 4 positions. Fully open, semi-open, semi-open, and fully covered.

18.2

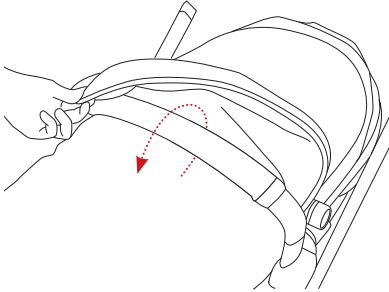


Using your seat unit apron

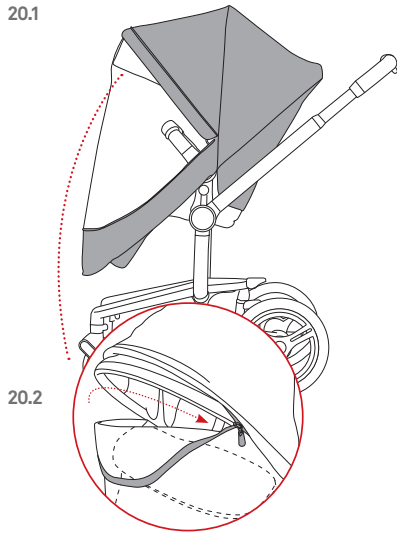
- 19.1 Slide the apron flap clips on your apron to the attachment points on the inside of the seat frame and fold the apron flap over the bumper bar using the hidden magnets to secure it in place and to enclose and secure your child.



19.1



Using your seat unit raincover



20.1 Your raincover should be used when the hood is attached to the seat unit. First slide over the hood and down towards the toe of the seat unit. Velcro fastening secures the raincover under the foot of the seat unit.

20.2 A zip gives easy access to your child.

Using your seat unit bumper bar

Your seat unit has a bumper bar that can be fully or partly removed

- **WARNING:** Always ensure your bumper bar is attached when your child is in the seat unit.

21.1 Fit the bumper bar to the seat unit by placing the metal ends of the bumper bar into the fixing points on the seat unit. Wait to hear the bumper bar 'click' into place.

21.2 To detach, press the bumper bar release button on the seat unit with one hand and pull the bumper bar away from the fixing point with the other hand. The bumper bar will rotate allowing easy access to your child, if the bumper needs to be fully removed then repeat on the opposite side.

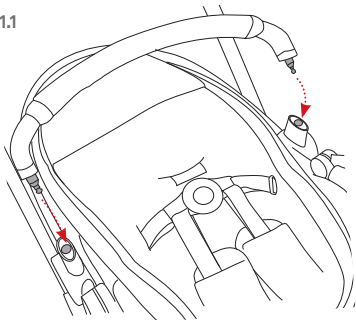
- **WARNING:** Always remove your child from the seat before attempting to lift and remove the seat unit.

Adjusting the seat position

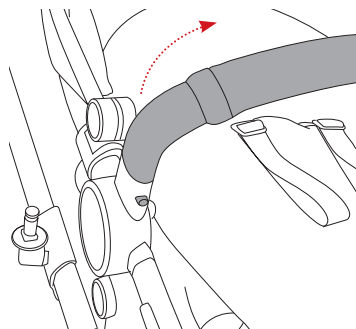
Your Silver Cross Surf – Aston Martin Edition has 3 forward facing and 3 rearward facing seat positions

22.1 To adjust the seat position in either forward or rearward facing mode, grip the outside of the seat unit with both hands. Place your fingers against the large, circular seat adjustment buttons. Press firmly inwards moving the seat unit forwards or backwards to upright, semi-recline or full recline. Release the button and wait to hear the 'click' for each position to lock into place.

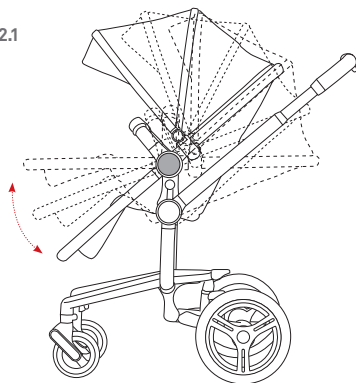
21.1



21.2



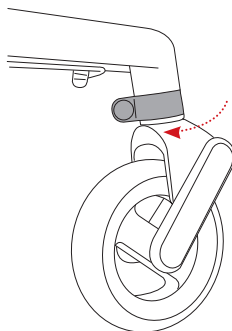
22.1



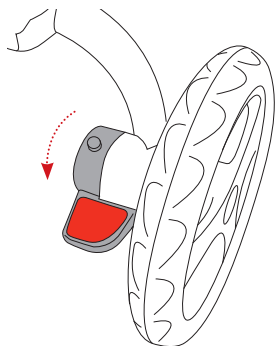
Folding your chassis

- **NOTE:** To ensure your chassis folds correctly remove all items from the shopping basket before attempting to fold.
- **NOTE:** If using as a travel system (with a car seat), pushchair (with seat unit) or pram (with Carrycot) please ensure each part has been removed before folding.

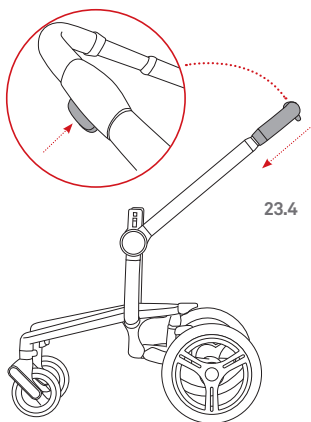
23.1



23.2



23.3

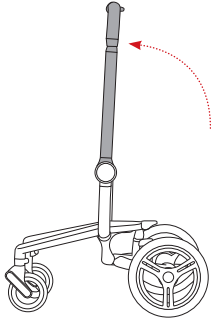


23.4

- 23.1 Ensure the swivel wheels are locked.
(See point 26.1)
- 23.2 Engage the red coloured brake pedal.
(See point 25.1)
- 23.3 Press and hold the handle height adjustment /folding button and slide the handle down to its lowest point.
- 23.4 Applying pressure to the centre of the handle, push down to release the locking mechanism.

Folding your chassis

24.1

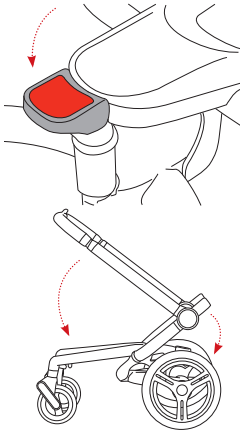


24.1 Rotate the handle forwards to its vertical position, listen for the click

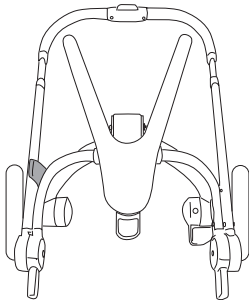
24.2 Still holding the handle press down gently on the central red foot pedal. Rotate the handle forwards as the chassis begins to fold.

24.3 Ensure the folding lock is applied by pressing down on the folded frame.

24.2



24.3



Using the brake

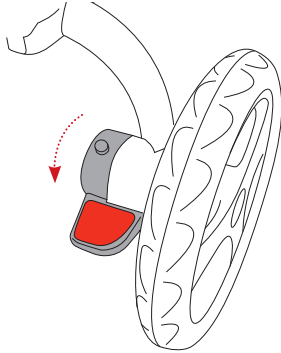
- **WARNING:** Always apply the parking brake when you are standing still.

25.1 To engage the brake, press down on the red brake pedal. Listen for the 'click'.

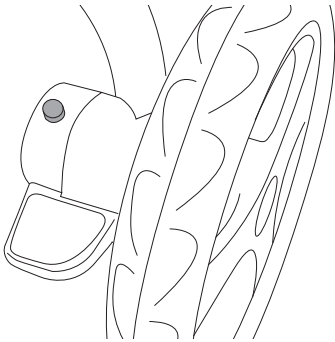
- **NOTE:** Always check that your brake is fully engaged by gently rocking the pushchair.

25.2 To disengage the brake, gently press down on the green brake release button. Rock the pushchair backwards before moving forward.

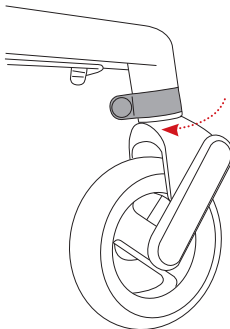
25.1



25.2



26.1



Operating your swivel wheels

Your chassis has lockable front, swivel wheels. We advise locking the front wheels if pushing the pushchair straight ahead for a long period.

26.1 Rotate the swivel release lever sideways to lock the wheels into the fixed position.

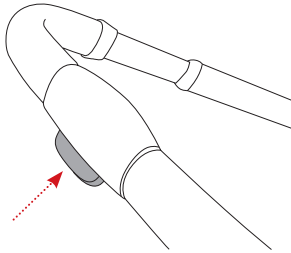
Operating your height adjustable handle

Your Silver Cross Surf – Aston Martin Edition has a 5 position handle height.

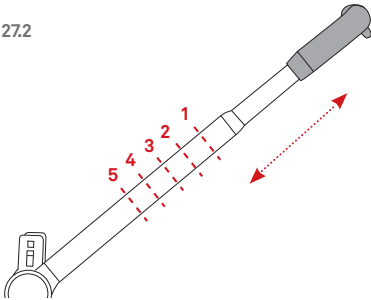
27.1 Press and hold the handle height adjustment/ folding button and slide the handle down to its lowest point.

27.2 Slide the handle up or down to required height and release the adjustment button. The handle will lock and 'click' into place.

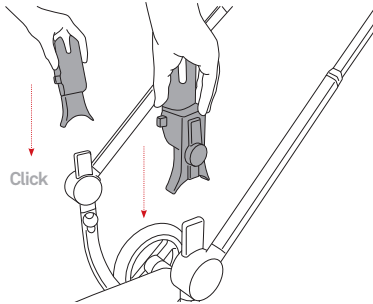
27.1



27.2



28.1

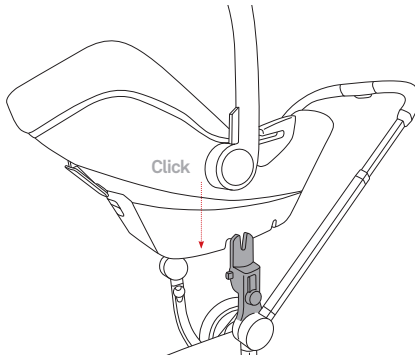


Using your Silver Cross Surf – Aston Martin Edition with the Silver Cross Simplicity Infant Carrier

28.1 To attach your Simplicity Adaptors, locate the adaptors onto the chassis attachment posts on both sides. Ensure the adaptors 'click' into place.

WARNING: Standing behind the handle, ensure the adaptor with the red button is located on the right of the chassis. Attaching to the left hand side may damage your adaptor.

28.2

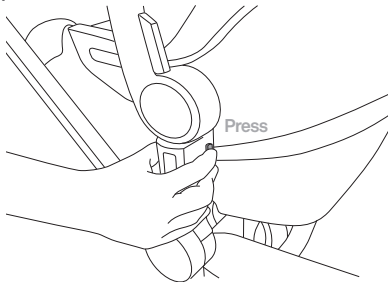


28.2 Place the Silver Cross Simplicity Infant Carrier onto the adaptors. Ensure the Silver Cross Simplicity 'clicks' into place. Lift the Silver Cross Simplicity gently by the carry handle to check the Silver Cross Simplicity has locked into place.

WARNING: Check that the Silver Cross Simplicity attachment devices are correctly engaged before use.

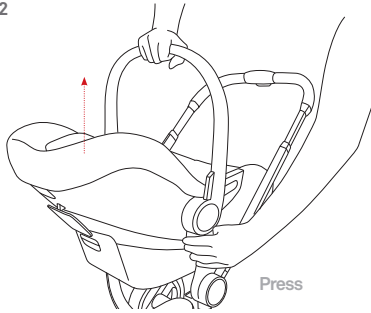
Detaching the Silver Cross Simplicity Infant Carrier from the chassis

29.1



29.1 With the Silver Cross Simplicity Infant Carrier facing you, first press the silver button on the front of the right hand side adaptor until it clicks into place.

29.2

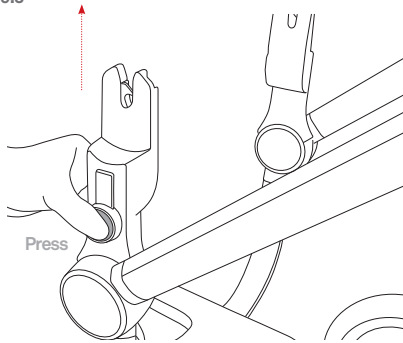


29.2 Then while pressing and holding the other silver button on the front of the left hand Side adaptor, lift the Silver Cross Simplicity from the chassis using the carry handle.

Removing the Adaptors from the chassis

29.3 For both adaptors, press the circular button on the side of the adaptor and pull adaptor upwards to release from chassis.

29.3



- **WARNING:** Do not remove the Simplicity Infant Carrier with the adaptors still attached to the Simplicity.
- **WARNING:** Your Silver Cross Simplicity Infant Carrier should always be rearward facing.
- **NOTE:** Always remove the adaptors before folding the chassis or attaching your seat unit or carrycot. Failure to do so may result in your adaptors or chassis being damaged.

Alcantara® Care Guide Instructions

These are very high quality, specialist fabrics that have been carefully selected to create a luxury product. They need to be maintained as per the following care guidelines to ensure maximum performance. Mis-use or failure to follow these care guidelines may compromise the performance and appearance of the fabrics.

- 1 Remove surface dirt with a soft bristle brush, a dry cotton cloth or a vacuum cleaner.
- 2 Further clean by gently wiping the surface with a moistened soft cloth. DO NOT wet excessively.
- 3 Once dried, to restore the material to its original condition, brush it delicately with a clean, soft bristle brush or dry cotton cloth.
- 4 To remove stains a specialist cleaning pack is available from Silver Cross.
- 5 Unsuitable for domestic washing and dry cleaning.

Safety Notes

Your Silver Cross Surf – Aston Martin Edition is a high quality Silver Cross product. It complies with BS EN: 1888:2012 and with correct use and maintenance will give good service. If, however you should have any problems with your pushchair, please contact your Silver Cross retailer who will take appropriate action. The carrycot complies with BS EN: 1466:2004.

WARNING:

Never leave your child unattended.

Ensure that all the locking devices are engaged before use

To avoid injury ensure that your child is kept away when unfolding and folding this product.

Do not let your child play with this product

Use a harness as soon as your child can sit unaided.

Carrycot mode:

This product is not suitable for a child who cannot sit up itself, rollover and cannot push itself up on its hands and knees.

Maximum weight of the Child: 9kg

Do not let other children play unattended near the carrycot.

Seat unit mode:

This seat unit is not suitable for children under 6 months.

Maximum weight of the Child: Up to 15kg

Always use the restraint system

Check the pram body or seat unit or car seat attachment devices are correctly engaged before use.

This product is not suitable for running or skating.

Do not carry more than one child in this pushchair / carrycot.

Ensure the parking devices are engaged when placing and removing your child.

Do not let other children play unattended

near the carrycot. The carrycot is only suitable for a child who cannot sit up unaided.

Never use the carrycot on a stand

Do not use if any part is broken, torn or missing.

Be aware of the risk of open fire and other source of strong heat, such as electric bar fires, gas fires, etc in the near vicinity of the carrycot.

The handles and the bottom of the carrycot should be checked regularly for signs of damage and wear.

Do not add a mattress to the carrycot other than the one provided.

Car seats do not replace a cot or bed. Should your child need to sleep, then it should be placed in a suitable pram body, cot or bed.

Any load attached to the handle and/or backrest and/or side of the vehicle will affect stability of the vehicle.

Do not stand a second child on rear lock and use as a buggy board.

Do not attach a third party buggy board.

Accessories which are not approved by Silver Cross shall not be used.

Only replacements parts supplied/ recommended by Silver Cross shall be used.

The child should be clear of moving parts whilst making adjustments.

Do not allow your child to climb in or out of the pushchair of their own accord, as this could result in injury to your child or damage to your pushchair.

Never leave your child in the pushchair with the raincover fully fitted other than in normal outside use.

The safety of your child is your responsibility.

Only place the carrycot on a firm, horizontal and dry surface.

The child should always wear a safety harness complying with BS6684. 'D' rings are provided for the attachment of an additional harness. These are located on the existing harness close to where it is attached to the seat frame. Do not hang shopping bags or other objects from the handle. This may cause the pushchair to tip up. Extra shopping or luggage should only be carried in the basket and should not exceed 5kg in weight, evenly distributed. Always hold the seat when making adjustments. Ensure that the brake is on. Never try to fold your Surf Aston Martin Edition when the child is seated as this may trap the child. If you have difficulty in folding or unfolding the pushchair, do not force. This will cause damage. Read the "To fold or unfold" instructions carefully in the Silver Cross Surf – Aston Martin Edition Instructions. It may be unsafe to fit accessories or spare parts other than those supplied or recommended by Silver Cross. If anyone other than the owner is going to use the Pushchair (e.g. grandparent, child minder), please show them how to use it correctly.

The seat unit and carrycot are only compatible with: Silver Cross Surf – Aston Martin Edition.

Basket Capacity: 5kg

Cup holder: Maximum load = 0.5kg

Surf Board: Maximum load = 20kg (sold separately)

Care and Maintenance

Chassis

Always check your pushchair for signs of wear. Regularly lubricate all moving parts. Check for freedom of movement of all locking devices. Polish metal work with a clean, dry cloth.

Fabric items and seat unit

For fabric wash care instructions please refer to the wash care labels attached to your product. For Alcantara, please refer to the care guide included in this manual. Keep away from direct heat and strong sunlight. A certain degree of fading may occur over time through everyday use. Never machine wash, tumble dry, iron or bleach.

Never leave accessories such as the sunshade or raincover where heat and light may discolour the fabrics or distort the plastics, e.g. on the car parcel shelf in hot weather.

Guarantee

All Silver Cross products are guaranteed for a period of 12 months against faulty workmanship, when the product is used correctly according to the instruction manual.

Please read these instructions carefully before using your new Silver Cross Surf – Aston Martin Edition and keep for future reference.

Consignes de sécurité

Ce produit est un article Silver Cross de la plus grande qualité. Il est conforme aux normes BS EN1888:2012 et BS EN: 1466:2004 et saura répondre à vos besoins s'il est utilisé et entretenu correctement. Si toutefois vous rencontrez le moindre problème avec votre poussette, veuillez contacter votre revendeur Silver Cross pour qu'il prenne les mesures adéquates.
Ce produit est appelé: Silver Cross Surf – Aston Martin Edition.

AVERTISSEMENT:

Ne laissez jamais votre enfant sans surveillance.

Assurez-vous que tous les dispositifs de verrouillage sont enclenchés avant utilisation.

Pour éviter les blessures, maintenez votre enfant à l'écart lorsque vous pliez et dépliez ce produit.

Ne laissez pas votre enfant jouer avec ce produit.

Utilisez un harnais dès que votre enfant peut s'asseoir tout seul.

Mode nacelle:

Ce produit est adapté à un bébé qui ne tient pas assis, ne se retourne pas et ne peut se redresser à l'aide de ses mains et ses genoux.

Le poids maximum de l'enfant: 9kg

Ne laissez pas d'autres enfants jouer sans surveillance à proximité de cette nacelle.

Mode Poussette:

Ce produit ne peut pas être utilisé avec des enfants de moins de 6 mois.

Le poids maximum de l'enfant: 15kg

Utilisez toujours le système de retenue.

Vérifiez que les dispositifs de fixation de la nacelle ou du siège auto sont correctement enclenchés avant utilisation.

Ce produit n'est pas conçu pour la course ou le patinage.

Ne transportez pas plus d'un enfant sur cette poussette.

Le frein doit être actionné lorsque vous positionnez ou retirez votre enfant de la poussette.

Ne laissez pas d'autres enfants jouer sans surveillance à proximité de cette nacelle.

Ce produit est adapté à un bébé qui ne tient pas assis, ne se retourne pas et ne peut se redresser à l'aide de ses mains et ses genoux.

N'utilisez jamais la nacelle sur une base autonome.

N'utilisez pas ce produit si l'une des pièces est endommagée, déchirée ou manquante.

Soyez conscient du risque que présentent les feux à ciel ouvert ou toute autre source de chaleur intense située à proximité de cette nacelle, comme les armoires électriques, brûleurs à gaz, etc.

Les poignées et le bas de la poussette devraient être régulièrement contrôlés afin de détecter d'éventuels dommages ou traces d'usure.

N'ajoutez pas d'autre matelas que celui fourni.

Si le siège auto est utilisé : ce siège auto ne remplace pas un lit pour bébé. Si votre enfant veut dormir, installez-le dans une nacelle ou un lit adapté.

Toute charge posée sur la poignée, le dossier ou les bords de la poussette risque de compromettre sa stabilité.

Ne laissez pas un autre enfant se tenir debout sur le système de verrouillage arrière pour vous en servir de marchepied.

N'utilisez pas de marchepied d'autre provenance avec cette poussette.

Aucun accessoire non approuvé par Silver Cross ne doit être utilisé.

N'utilisez que des pièces détachées fournies/recommandées par Silver Cross.

Tenez les parties mobiles hors de la portée de votre enfant lorsque vous effectuez des réglages.

Ne laissez pas votre enfant grimper tout seul dans/hors de la poussette car il pourrait se blesser ou endommager la poussette.

Ne laissez jamais votre enfant avec l'habillage pluie refermé sur la poussette ailleurs qu'à l'extérieur.

Vous êtes responsable de la sécurité de votre enfant.

Le seul endroit où la nacelle sur une surface ferme et horizontale et sèche.

L'enfant doit toujours porter un harnais de sécurité conforme à la norme BS6684. Les anneaux en « D » sont fournis pour attacher un harnais supplémentaire. Ces anneaux sont situés sur le harnais existant, à côté du point de fixation du harnais au châssis du siège.

Tenez toujours le siège lorsque vous effectuez des réglages. Assurez-vous que le frein est actionné. Si vous rencontrez des difficultés pour plier ou déplier la poussette, ne forcez pas car vous risqueriez de l'endommager. Lisez attentivement les instructions « Pliage ou dépliage ». Ne montez pas des accessoires ou pièces de rechange autres que ceux fournis ou recommandés par Silver Cross, car cela peut être dangereux. Si une personne autre que le propriétaire utilise la poussette (par exemple : grands-parents ou nourrice), montrez-lui comment l'utiliser correctement.

Uniquement compatible avec: Surf Aston Martin Edition châssis

Capacité du panier: 5kg

Porte-gobelet: Charge maximale = 0.5kg

Surf Board: Charge maximale = 20kg (vendu séparément)

Nettoyage et entretien

Châssis

Vérifiez toujours que la poussette ne présente pas des traces d'usure. Lubrifiez régulièrement toutes les pièces mobiles. Vérifiez la liberté de mouvement de tous les dispositifs de verrouillage. Frottez les parties métalliques avec un chiffon propre et sec.

Éléments textiles et siège

Pour les instructions d'entretien du tissu, veuillez vous référer aux étiquettes de lavage de votre produit.

Pour le tissu Alcantara, veuillez vous référer au guide d'entretien inclus dans ce manuel. Conservez à l'écart d'une source de chaleur directe et de la lumière intense du soleil. Les couleurs peuvent s'altérer avec le temps. Ne lavez et ne séchez jamais en machine, ne repassez jamais et n'utilisez jamais d'eau de javel. Ne laissez jamais des accessoires, comme le pare-soleil ou la housse pare-pluie, près d'une source de chaleur ou de lumière, car les couleurs du tissu peuvent s'altérer et le plastique se déformer (p. ex. sur la plage arrière de la voiture par temps chaud).

Garantie

Tous les produits Silver Cross sont garantis pour une période de 12 mois contre tout défaut de fabrication, lorsque le produit est utilisé conformément au manuel d'instructions.

Lisez attentivement ces instructions avant d'utiliser votre nouvelle poussette Silver Cross Surf – Aston Martin Edition et conservez-les pour référence.

Norme di sicurezza

Questo articolo è un prodotto Silver Cross di alta qualità. È conforme alle norme BS EN 1888:2012 e BS EN 1466:2004 e con un uso e una manutenzione corretti garantisce un ottimo funzionamento. Se, tuttavia, si riscontrano problemi nell'utilizzo del prodotto, contattare il rivenditore Silver Cross che si adopererà per la risoluzione del problema.
Questo prodotto si chiama: Silver Cross Surf – Aston Martin Edition.

• AVVERTENZE:

Mai lasciare il bambino incustodito.

Accertarsi che tutti i dispositivi di bloccaggio siano inseriti prima dell'uso.

Per evitare infortuni assicurarsi che il bambino sia a debita distanza durante le operazioni di apertura e chiusura del passeggino.

Non lasciare che il bambino giochi con il prodotto.

Utilizzare l'imbracatura non appena il bambino sarà in grado di stare seduto da solo.

Modalità navicella:

Questo prodotto è adatto ai bambini che non sono in grado di stare seduti da soli, di girarsi e di sollevarsi sulle mani e sulle ginocchia.

Peso massimo del bambino: 9 kg

Non lasciare che altri bambini giochino incustoditi nelle vicinanze della culla da viaggio.

Modalità Passeggino:

Il prodotto non è idoneo all'utilizzo per bambini al di sotto dei 6 mesi.

Peso massimo del bambino: 15kg

Utilizzare sempre il sistema di ritenuta.

Controllare che i dispositivi di attacco della seduta del passeggino, del seggiolino, o del sedile dell'auto siano correttamente inseriti prima dell'uso.

Il prodotto non è adatto per correre o pattinare.

Non trasportare più di un bambino in questo passeggino.

Il dispositivo di stazionamento deve essere inserito quando si fa salire o scendere il bambino.

Non lasciare che altri bambini giochino incustoditi nelle vicinanze della culla da viaggio.

Questo prodotto è adatto solo per un bambino che non riesce a stare seduto da solo.

Non usare mai la culla da viaggio su un piedistallo.

Non utilizzare in caso di parti rotte, strappate o mancanti.

Stare attenti ai rischi che possono derivare da fiamme libere e da altre fonti di calore eccessivo come quelle di stufe elettriche, stufe a gas ecc. che possono trovarsi in prossimità della culla da viaggio.

Controllare regolarmente i manici e la parte inferiore per verificare che non siano danneggiati e non presentino segni di usura.

Non aggiungere un altro materassino se non quello già in dotazione.

Quando si utilizza il seggiolino: questo seggiolino per auto non sostituisce la culla o il lettino. Qualora il bambino avesse bisogno di dormire, sarà necessario adagiarlo in una seduta o in una culla adeguata.

Eventuali carichi presenti sul manico e/o sul retro dello schienale, e/o sulla parte laterale del passeggino comprometteranno la stabilità del passeggino stesso.

Non consentire ad un secondo bambino di rimanere in piedi sul blocco posteriore e di utilizzarlo come pedana.

Non montare pedane di altre marche.

Non utilizzare accessori non approvati da Silver Cross.

Utilizzare solo parti di ricambio fornite/ raccomandate da Silver Cross.

Tenere il bambino lontano dalle parti mobili durante le operazioni di regolazione.

Per evitare danni al passeggino o infortuni non permettere al bambino di salire e scendere da solo dal passeggino.

Non lasciare mai il bambino nel passeggino con il parapigioggia completamente montato, se non durante il normale impiego all'aperto.

La sicurezza del bambino è responsabilità dell'adulto.

Utilizzare solo su superfici compatte, orizzontali, piane e asciutte.

Il bambino deve sempre indossare l'imbracatura in conformità alla norma BS6684. Gli anelli a 'D' sono forniti per il fissaggio di una ulteriore imbracatura. Essi sono posizionati sull'imbracatura già presente accanto al punto di fissaggio sulla base della seduta.

Tenere sempre la seduta durante le operazioni di regolazione. Accertarsi che il dispositivo di stazionamento sia inserito. In caso di problemi nel chiudere o aprire il passeggino, non forzare, onde evitare danni. Leggere attentamente le indicazioni sull'apertura e la chiusura del passeggino.

Potrebbe essere pericoloso montare parti di ricambio o accessori diversi da quelli forniti o raccomandati da Silver Cross. Se il prodotto viene utilizzato da soggetti diversi dal proprietario (ad es. nonno, baby-sitter), illustrare loro l'uso corretto.

Compatibile solo con: Silver Cross Surf – Aston Martin Edition Telaio

Portata cesto: 5 kg

Portabibite: carico massimo = 0,5 kg

Pedana Buggy Board: carico massimo = 20kg

(venduto separatamente)

Cura e manutenzione

Telaio

Verificare sempre che sul passeggino non siano presenti segni di usura. Lubrificare regolarmente tutte le parti mobili. Verificare che i dispositivi di bloccaggio funzionino correttamente. Lucidare le parti in metallo con un panno pulito ed asciutto.

Parti in tessuto e seduta

Per le istruzioni per il lavaggio dei tessuti fare riferimento alle etichette attaccate al prodotto.

Per la pulizia dell'Alcantara fare riferimento alla guida per la manutenzione. Tenere lontano da fonti di calore e dalla luce diretta del sole. Con l'uso quotidiano, il tessuto può scolorire nel corso del tempo. Non lavare in lavatrice, non utilizzare asciugabiancheria, non stirare e non candeggiare. Non lasciare mai gli accessori, come il parasole o il parapigioggia, esposti al calore o alla luce, ad es. sulla cappelliera dell'auto durante la stagione calda, in quanto i tessuti potrebbero scolorire e/o la plastica potrebbe deformarsi.

Garanzia

Tutti i prodotti Silver Cross sono garantiti per un periodo di 12 mesi contro difetti di fabbricazione, purché il prodotto venga utilizzato correttamente, in conformità al manuale delle istruzioni.

Leggere attentamente le istruzioni prima di utilizzare il nuovo passeggino Silver Cross Surf – Aston Martin Edition e conservarle per future consultazioni.

Примечания по безопасности

Вы приобрели высококачественное изделие компании Silver Cross. Оно соответствует требованиям стандартов BS EN1888:2012 и BS EN1466:2004 и при надлежащем использовании и уходе будет безотказно служить вам. Если, тем не менее, с изделием возникнут какие-либо проблемы, обращайтесь за помощью в магазин Silver Cross по месту приобретения коляски. Этот продукт называется: Silver Cross Surf – Aston Martin Edition.

❗ ВНИМАНИЕ!

Никогда не оставляйте ребенка без присмотра.

Прежде чем использовать коляску, убедитесь, что задействованы все фиксаторы.

Раскладывайте и складывайте изделие на удалении от ребенка во избежание травм.

Не давайте ребенку использовать изделие в качестве игрушки.

Используйте ремень безопасности, как только ваш ребенок научится сидеть самостоятельно.

Люлька режиме:

Данное изделие пригодно для ребенка, который не может сидеть самостоятельно, переворачиваться и стоять на коленях, опираясь на руки.

Максимальный вес ребенка – 9 кг

Не разрешайте другим детям играть рядом с переносной колыбелькой без присмотра.

Коляска режиме:

Данное изделие не предназначено для детей младше 6 месяцев.

Максимальный вес ребенка – 15 кг

Всегда используйте входящие в комплект коляски ремни.

Перед использованием коляски убедитесь, что крепления рамы коляски, сиденья или автокресла правильно зафиксированы.

Данное изделие не предназначено для бега или катания на роликах.

Не носите с собой более одного ребенка в этой коляске.

При размещении ребенка в коляске или его извлечении необходимо привести в действие стояночный тормоз.

Этот продукт подходит только для ребенка, который не может сидеть без посторонней помощи.

Запрещается устанавливать переносную колыбельку на держателе.

В случае поломки, деформации или отсутствия отдельных деталей использовать изделие нельзя.

Необходимо регулярно осматривать ручки и днище на предмет повреждений и износа.

Используйте только матрас, идущий в комплекте.

В случае использования автокресла: данное автомобильное кресло не заменяет люльки или кроватки. Если ребенку необходимо спать, его следует поместить в детскую коляску или люльку.

Вещи, висящие на ручках и/или на обратной стороне спинки и/или боках коляски снижают ее устойчивость.

Не позволяйте другим детям вставать на задний тормоз или использовать его в качестве приступки.

Не используйте приступки сторонних производителей.

Используйте только аксессуары, одобренные компанией Silver Cross.

Следует использовать запасные части, произведенные / рекомендованные компанией Silver Cross.

Осторожно! Регулируя коляску, следите за тем, чтобы ребенок не приближался к ее подвижным деталям.

Не позволяйте ребенку самостоятельно садиться в коляску и вылезать из нее, поскольку он может получить травму или сломать коляску.

Никогда не оставляйте ребенка в коляске с полностью установленным дождевиком кроме случаев обычного использования коляски на улице.

Вы несете ответственность за безопасность вашего ребенка.

Помните о том, что наличие открытого огня или другого источника высоких температур (например, электрических или газовых нагревателей) в непосредственной близости от переносной колыбельки представляет опасность.

Использовать только на твердой горизонтальной ровной и сухой поверхности.

Ребенок должен быть обязательно пристегнут ремнями безопасности, соответствующими стандарту BS6684. Для крепления дополнительных ремней в конструкции люльки предусмотрены D-образные кольца. Они расположены на стандартных ремнях безопасности рядом с точками их крепления к раме сиденья.

Регулируя положение деталей коляски, всегда держите ее за сиденье. При этом должен быть задействован тормоз коляски. Складывая и раскладывая коляску, не прикладывайте излишних усилий: вы можете ее повредить. Внимательно прочтите инструкции по складыванию и раскладыванию коляски. Использование аксессуаров и запасных деталей, не поставляемых и не рекомендованных компанией Silver Cross, может быть опасным. Если люльку использует другой человек (например, бабушка, дедушка или няня), обязательно объясните этому человеку, как правильно ее использовать.

Только совместим с: Silver Cross Surf – Aston Martin Edition шасси

Вместимость корзины: 5 кг

Подстаканник: максимальная нагрузка = 0,5 кг

Приступка коляски – максимальная нагрузка = 20 кг (продается отдельно)

Уход и обслуживание

Рама

Всегда проверяйте конструкцию коляски на предмет износа. Регулярно смазывайте все движущиеся части. Проверьте, свободно ли работают все фиксаторы. Металлические части протирайте сухой, чистой тканью.

Детали из ткани и сиденье

Для указаний по уходу за тканью смотрите ярлыки, прикрепленные к изделию.

Для ткани «алькантара» смотрите руководство по уходу, включенное в данную инструкцию. Держите детали коляски вдалеке от источников тепла и прямых солнечных лучей. Со временем ткань может немного выцветать в процессе повседневного использования. Не стирайте и не сушите детали коляски в стиральной машине, не гладьте и не отбеливайте их. Никогда не оставляйте такие принадлежности как козырек от солнца или дождевик там, где тепло и солнечный свет могут обесцветить ткань или повредить пластик, например, на багажной полке автомобиля в жаркую погоду.

Гарантия

На всю продукцию Silver Cross действует гарантия сроком 12 месяцев, распространяющаяся на случаи производственного брака, при условии использования изделия согласно инструкции.

Перед использованием новой коляски Silver Cross Surf – Aston Martin Edition внимательно прочтите настоящую инструкцию и сохраните ее для использования в будущем.

Notas de seguridad

Este artículo es un producto de gran calidad de Silver Cross. Cumple las normativas EN1888:2012 y EN1466:2004, y si lo utiliza adecuadamente y realiza un buen mantenimiento, le proporcionará un servicio excelente. No obstante, si tiene algún problema con su producto, póngase en contacto con el minorista Silver Cross, quien se encargará apropiadamente del asunto.

Este producto se llama: Silver Cross Surf – Aston Martin Edition.

ADVERTENCIA:

Nunca deje al niño desatendido.

Antes de utilizar la silla, compruebe que todos los dispositivos de bloqueo están correctamente accionados.

Para evitar lesiones, asegúrese de que el niño no esté cerca cuando pliegue y despliegue este producto.

No deje que el niño juegue con este producto.

Utilizzare l'imbracatura non appena il bambino sarà in grado di stare seduto da solo.

modo capazo:

Este producto es adecuado para niños que no pueden mantenerse sentados solos, darse la vuelta ni incorporarse apoyándose en manos y rodillas.

Peso máximo del niño: 9 kg.

No deje que los niños jueguen cerca de este capazo sin supervisión.

Modo Cochecito:

Este producto no es apto para niños menores de 6 meses.

Peso máximo del niño: 15kg

Utilice siempre el arnés proporcionado.

Compruebe que los dispositivos de sujeción del capazo o asiento o silla de coche estén correctamente accionados antes de su uso.

Este producto no es adecuado para correr ni patinar.

No lleve más de un niño en el cochecito.

Dispositivo de estacionamiento debe estar accionado al colocar y levantar al niño de la silla.

Este producto sólo es adecuado para un niño que no puede sentarse sin ayuda.

Nunca utilice el capazo sobre un soporte.

No utilice la silla si está rota o le falta alguna pieza.

Sea consciente del peligro que supone colocar el capazo cerca de chimeneas abiertas y otras fuentes de calor fuerte, como estufas eléctricas, estufas de gas, etc.

Se debe inspeccionar los manillares y el fondo del capazo con regularidad por si hubiera indicios de desgaste y desperfectos.

Utilice únicamente el colchón suministrado.

Si se utiliza la silla de coche: Esta silla de coche no sustituye la cuna o cama del niño. Si el niño necesita dormir, entonces deberá colocarlo en una cuna o capazo adecuado.

Los pesos que se cuelguen del manillar y/o respaldo y/o laterales del vehículo afectarán a su estabilidad.

No sitúe a un segundo niño en la protección trasera como si fuera un patinete acoplado.

No utilice patinetes acoplados de otros fabricantes.

No deben utilizarse accesorios no autorizados por Silver Cross.

Solo deben utilizarse piezas de recambio suministradas/recomendadas por Silver Cross.

A la hora de realizar ajustes, hay que mantener al niño lejos de piezas móviles.

No deje que el niño baje o suba de la silla él solo, ya que podría resultar herido o provocar daños a la silla.

Nunca deje al niño en la sillita con la capota puesta, salvo para su uso normal en exteriores.

Usted es responsable de la seguridad del bebé.

Solo debe usarse en suelos firmes, horizontales, nivelados y secos.

El niño debe llevar siempre abrochado un arnés de seguridad que cumpla la normativa BS6684. Se proporcionan anillas para sujetar otro arnés. Estas están situadas en el arnés existente, cerca del lugar donde está sujeto al armazón del asiento.

Sujete siempre el asiento cuando haga ajustes. Compruebe que la silla tiene accionado el dispositivo de estacionamiento. Si tiene dificultades para plegar o desplegar la silla, no ejerza fuerza o la dañará. Lea detenidamente las instrucciones «Para plegar y desplegar». Puede resultar poco seguro colocar accesorios o piezas de recambio diferentes a los suministrados o recomendados por Silver Cross. Si este producto va a ser utilizado por otras personas aparte del propietario (p. ej. un abuelo o una niñera), enséñeles cómo hacerlo correctamente.

Sólo es compatible con: Surf Chasis

Capacidad de la cesta: 5 kg

Portavasos: Peso máximo = 0,5 kg

Patinete acoplado – Peso máximo = 20 kg (se vende por separado)

Cuidado y mantenimiento

Chasis

Compruebe siempre si la silla presenta indicios de desgaste. Lubrique periódicamente todas las partes móviles. Compruebe que haya total libertad de movimiento en todos los dispositivos de inmovilización. Abrillante el metal con un paño limpio y seco.

Componentes de tela y asiento

Consulte las instrucciones de lavado en las etiquetas correspondientes sujetas al producto.

En el caso de que incorpore Alcántara, consulte la guía incluida en este manual. Mantenga los tejidos lejos de calor directo y de rayos de sol fuertes. Es posible que pierdan el color en cierta medida con el uso diario. No los lave nunca a máquina, no los seque en la secadora, no los planche ni utilice lejía. Nunca deje accesorios como el protector solar o la burbuja de lluvia en un lugar en el que el sol o la luz puedan decolorar los tejidos o deformar el plástico, p. ej. en la bandeja del maletero del coche en un día caluroso.

Garantía

Todos los productos de Silver Cross incluyen una garantía de 12 meses contra defectos de fabricación, siempre que el producto se utilice correctamente de acuerdo con el manual de instrucciones.

Lea detenidamente estas instrucciones antes de utilizar su nueva Silver Cross Surf – Aston Martin Edition y consérvelas para consultarlas en el futuro.

安全注意事项

本品是Silver Cross生产的一款优质产品。本品符合BS EN1888:2012以及BS EN1466:2004标准，如果合理使用和维护得当，本品将经久耐用。如果您的产品出现任何问题，请联系Silver Cross零售商，零售商将采取适当措施。

该产品被称为：Silver Cross Surf - Aston Martin Edition

警告：

婴儿乘坐时必须有人看护。

使用前确保所有锁定装置均处于锁定状态。

为了避免伤到婴儿，在折起或打开本产品时请不要让孩子靠近。

不可让婴儿摆弄本产品。

请在幼儿可以自行端坐时使用束带。

婴儿床模式：

- 该产品适用于不能自行直坐以及不能用手和膝盖撑起身体的幼儿。
- 幼儿最大体重：9kg
- 不要让其他无人看护的孩子在本婴儿睡篮旁边玩耍。

婴儿推车模式：

- 本产品不适合6个月以下的婴儿。
- 幼儿最大体重：15kg
- 始终使用约束防护装置。

使用前检查婴儿车的车身、座椅或汽车座位连接装置是否牢固。

本产品不适合奔跑或滑行。

不要随身携带一个以上的孩子在这种折叠式婴儿车。

在将婴儿抱进、抱出婴儿车时要启用刹车装置。

本产品仅适合一个孩子谁不能独立坐起的。

不要在支架上使用婴儿睡篮。

如有部件出现破损、撕裂或丢失，请勿使用。

小心明火及其他强热源危险，如婴儿睡篮附近

的电热炉、煤气炉等。

应定期检查手柄和底部是否有损坏及磨损迹象。

只可使用随附的座垫。

如果使用汽车座椅：本汽车座椅不可代替婴儿床或床具使用。如果孩子需要睡觉，请使用适当的婴儿推车或婴儿床。

婴儿车手柄和（或）座椅靠背和（或）婴儿车两侧如果有任何负重均会影响婴儿车的稳定性。

不要让其他孩子站在后闸上并将其用作婴儿车后踏板。

不要附加第三方婴儿车后踏板。

不得使用未经Silver Cross认证的配件。

只可使用Silver Cross提供或推荐的备用件。

小心：在调节时不要让孩子靠近移动部件。请勿让幼儿自己爬进或爬出婴儿推车，因为这将伤到幼儿或损坏婴儿推车。

除正常户外使用外，切勿在完全安装雨篷状态下将孩子留在婴儿推车中。

保护婴儿的安全是您的责任。

请在调节时务必按住座椅。

只可在坚固、水平且干燥的地面上使用。

婴儿应始终系好符合BS6684标准的安全带。同时提供“D”形环，用来安装加固安全带。这些“D”形环位于现有安全带与座椅框架的连接处附近。

进行调节时始终握住座椅。要确保刹车装置已启用。如果您在收起或展开折叠式婴儿车时遇到困难，请勿强行操作，否则会造成损毁。仔细阅读“收起或展开”说明。除SilverCross提供或推荐的产品外，安装其他配件或备件可能会有安全隐患。如果其他人（如爷爷奶奶、保姆）要使用婴儿车，请向其演示正确操作方法。

只有兼容：Silver Cross Surf - Aston

Martin Edition 机壳

购物篮承重：5公斤

杯架：最大负载= 0.5公斤

婴儿车后踏板——最大负载 = 20公斤（单独出售）

底盘

要經常檢查折疊式嬰兒車是否有磨損跡象。定期潤滑所有運轉零件。檢查所有鎖定裝置的運動靈活性。用乾淨、乾爽的抹布擦拭金屬部件。

織物和座椅

織物洗滌護理說明細節詳見產品洗滌護理標籤。對於採用Alcantara材料的部分，請參考隨本手冊提供的護理指南。請勿將產品置於直接熱源或日照強烈的地方。隨著長期使用，產品可能出現某種程度上的褪色。請勿機洗、烘乾、熨燙或漂白。請勿將配件如遮陽罩或防雨罩放在高熱、強光下，因為可能會導致織物退色或塑料變形，例如不要在天氣炎熱時放在汽車的行李架上。

保修

在依據說明書正確使用產品的情況下，Silver Cross承諾產品質保期為12個月。請在使用新的Silver Cross Surf - Aston Martin Edition折疊式嬰兒車之前仔細閱讀這些說明並妥善保存以供未來參考。

Silver Cross®

silvercrossbaby.com

SXSURFASTONMARTIN0119