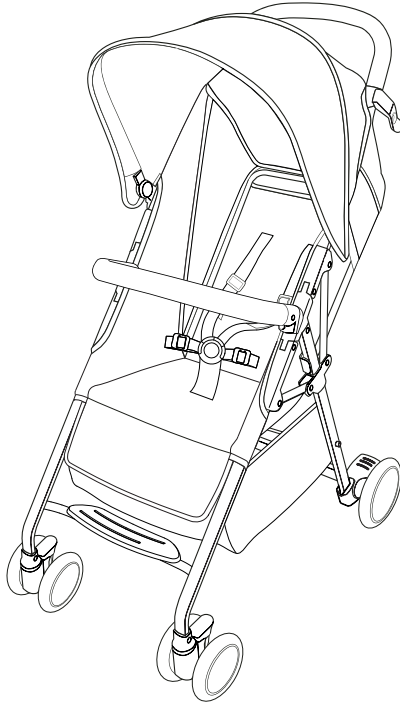


EST.  
1877

# Avia



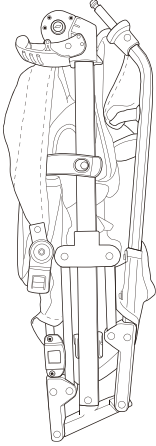
*Silver Cross*<sup>®</sup>

THE BEST START IN LIFE

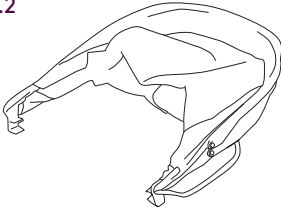
---

**IMPORTANT: KEEP THESE INSTRUCTIONS  
FOR FUTURE REFERENCE**

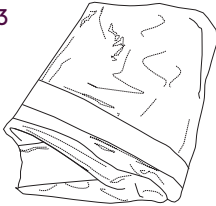
## 1.1



## 1.2



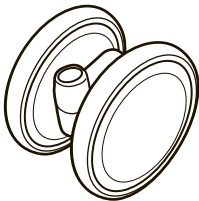
## 1.3



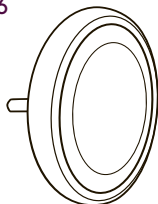
## 1.4



## 1.5



## 1.6

**These instructions are important.**

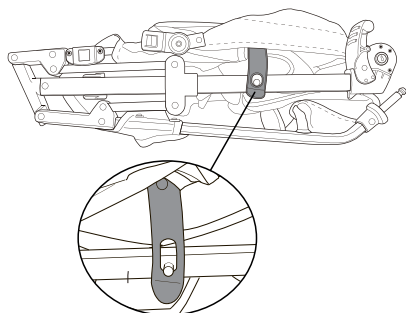
Read these instructions carefully before use and keep them for future reference. Your child's safety may be affected if you do not follow these instructions. Your Avia pushchair is a high-quality Silver Cross product. It meets current safety standards, and care, and regular light maintenance will ensure long service. This vehicle is intended for children from birth to 20kg. If somebody unfamiliar is using your Avia pushchair, always ensure that they read these instructions carefully so that they understand how the product works best. Always read all the instructions provided carefully and remember, the safety of your child is your responsibility.

**WARNING: NEVER LEAVE YOUR CHILD UNATTENDED****BASKET CAPACITY: 1KG****Contents**

Your Avia pushchair includes the following parts. Please check that you have all the items before proceeding.

- 1.1 Chassis, Seat Fabrics and Basket
- 1.2 Hood
- 1.3 Raincover
- 1.4 Bumper Bar
- 1.5 Front Swivel Wheel x 2
- 1.6 Rear Wheel x 2

2.1



## Assembling the Avia

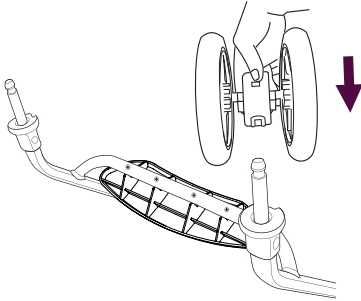
2.1 Locate the locking catch on the side of the pushchair and lift to release from the locking stud.

2.2 Lift the pushchair handle upwards until the pushchair clicks into a fully open position. Ensure the pushchair locks in this position.

2.2



2.3

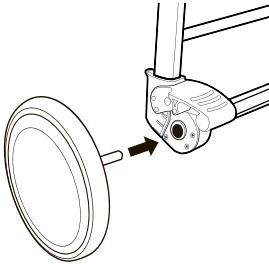


### Assembling the Avia

- 2.3 To attach front wheel, slide wheel onto pin and press until the wheel clicks into position. Repeat on both sides.

**WARNING: CHECK EACH WHEEL IS SECURE BY PULLING GENTLY UPWARDS IN AN ATTEMPT TO REMOVE IT.**

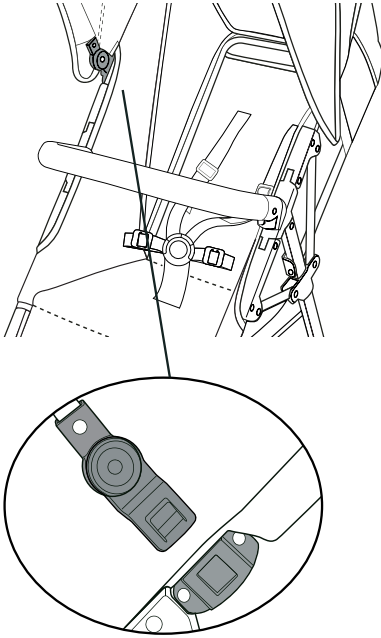
2.4



- 2.4 To attach rear wheel, slide wheel into rear axle assembly and press until the wheel clicks into position. Repeat on both sides.

**WARNING: CHECK EACH WHEEL IS SECURE BY PULLING GENTLY OUTWARDS.**

2.5



## Assembling the Avia

2.5 Locate the clips on each side of hood. Insert clips into slots on chassis. Pull upward to ensure securely attached.

Fasten velcro located on both sides.

Fasten zip located inside rear of hood.

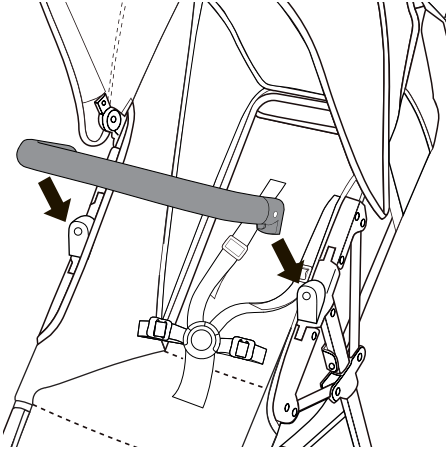
To remove hood, undo velcro and zip, press buttons on clips, and pull hood out of slots on chassis.

2.6 To extend hood, pull forward. To close hood, push towards handle.

2.6



2.8

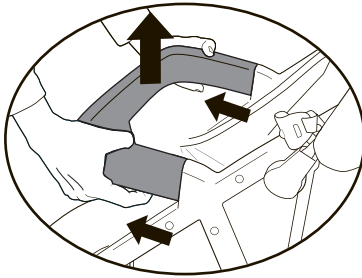


## Assembling the Avia

- 2.8 Slide bumper bar down onto connection points on chassis, until it clicks into position. Pull upward on each side of bumper bar to ensure it is securely attached.

Your Avia pushchair is now ready for use.

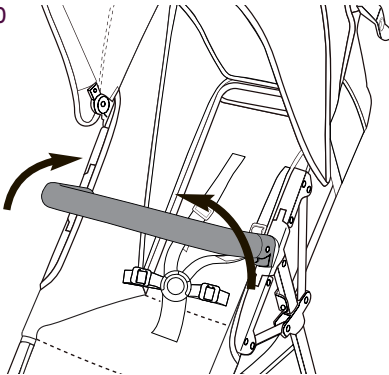
2.9



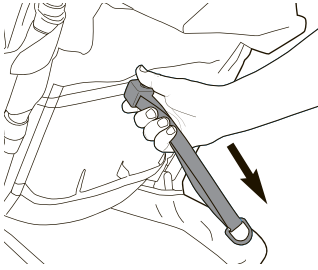
- 2.9 To remove bumper bar, locate red locking tab on either side of bumper bar. Pull both tabs towards you and keep pulled, whilst lifting bumper bar upwards.

- 2.10 For easy removal and placement of your child, the bumper bar can be opened without removing from the pushchair. Simply release locking tab on one side only.

2.10



3.1

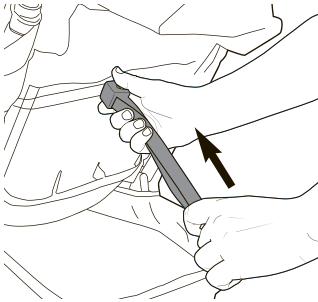


## Reclining the Avia

**3.1** Your Avia pushchair has a multi-position recline.

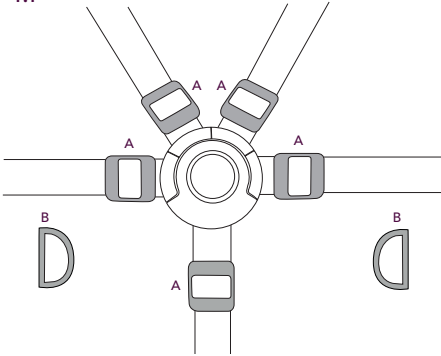
To recline the seat, locate the release button on the back of the seat. Press the button and pull away from seat.

3.2



**3.2** To raise the seat, hold the D-rings together. With your other hand, press the release button, and push towards the seat.

## 4.1

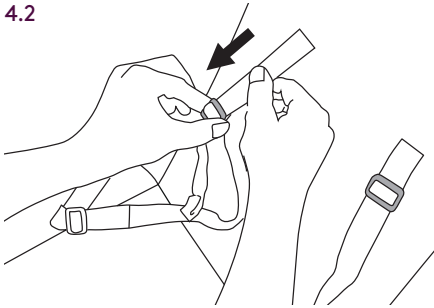


## Using the harness

The harness is a five point system consisting of shoulder straps, waist straps and crotch strap. Before you use the pushchair, the harness must be adjusted to suit the size of the child.

**WARNING: NEVER LEAVE YOUR CHILD UNATTENDED DURING THIS PROCESS. REMOVE YOUR CHILD WHILST THE FOLLOWING ADJUSTMENTS ARE BEING MADE.**

## 4.2



- 4.1 Your harness is fully adjustable by moving the sliders (A), to make fitting easy. Normally, each shoulder strap is adjusted to the same length as the waist straps.

'D' rings are provided for fitting a separate harness if required (B) Your child should always be harnessed in and should never be left unattended, even for short periods of time.

## Adjusting the harness

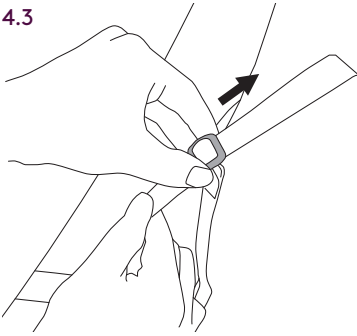
Attach and release the buckle as necessary to facilitate harness adjustment and checking the harness tightness.

**WARNING: ALWAYS USE THE CROTCH STRAP IN COMBINATION WITH THE WAIST BELT.**

- 4.2 Pull sliders in one direction to lengthen the strap.



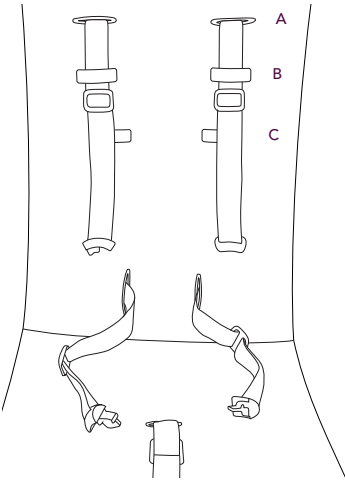
4.3



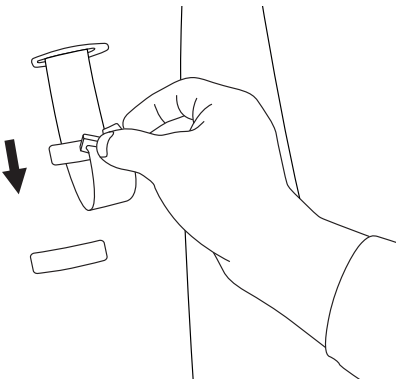
- 4.3 Pull slider in opposite direction to shorten the strap.

**WARNING: ALWAYS USE THE RESTRAINT SYSTEM. TO RELEASE THE HARNESS, PRESS THE CENTRE AND PULL APART. THE SHOULDER CLIPS CAN BE DETACHED FROM THE WAIST CLIPS IF REQUIRED.**

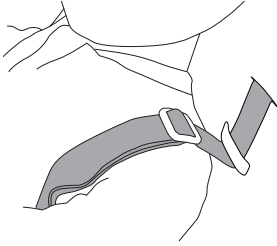
4.4



- 4.4 Your Avia pushchair has a multi-position height adjustment for the harness (A, B, C). To adjust the shoulder strap height, slot the shoulder straps through the fabric loops on the back rest, ensuring that the shoulder strap height is level on both sides.



4.5

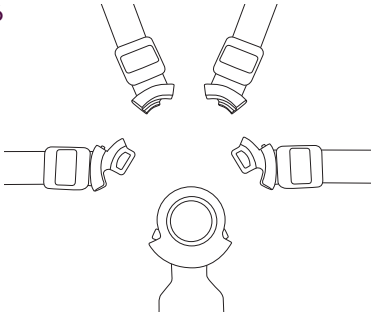


It is important to ensure that your child is securely fastened into the harness by assessing the tightness of the straps.

- 4.5** It is very important that you make sure the shoulder straps are the correct height for your child. The shoulder straps should be level or just below your child's shoulders.

In a safe and secure environment, place your child in the pushchair with the backrest upright and assess which of the three shoulder strap height positions is most suitable for your child.

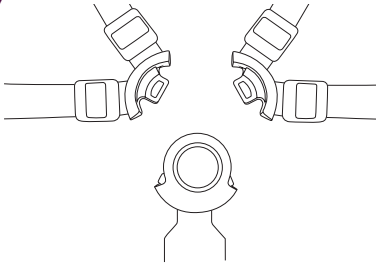
4.6



### Using the harness

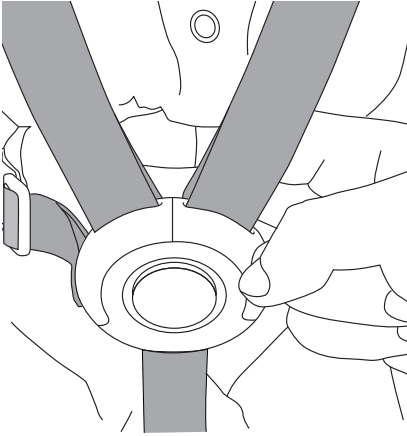
- 4.6** Connect the shoulder clips to the waist clips.

4.7



- 4.7** To fasten the harness insert the pairs of clips into each side of the buckle. Listen for the 'click'.

4.8

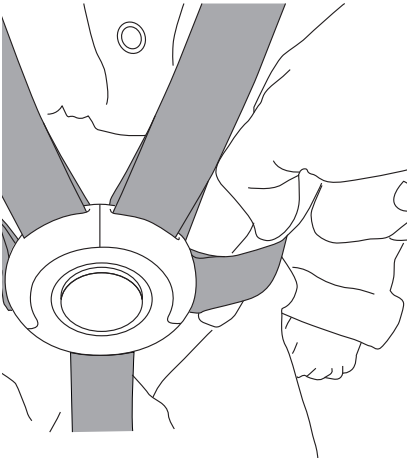


4.8 You should only be able to insert 2 fingers between the shoulder straps and your child.

4.9 You should only be able to insert 2 fingers between the waist straps and your child.

**NOTE: WINTER/SUMMER CLOTHING CAN MAKE A DIFFERENCE TO THE SIZE OF YOUR CHILD.**

4.9



### Using the brakes

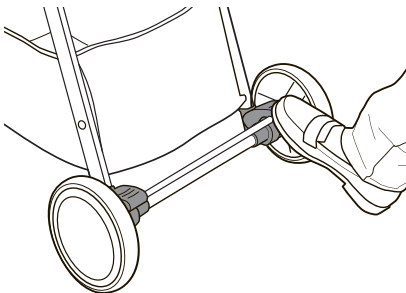
5.1 Your Avia pushchair has a parking brake. To apply the brake, step downwards on either brake catch located on the rear wheels. The brake will automatically lock on both wheels simultaneously.

**WARNING: ENSURE BOTH BRAKE LEVERS ARE SECURELY LOCKED IN POSITION.**

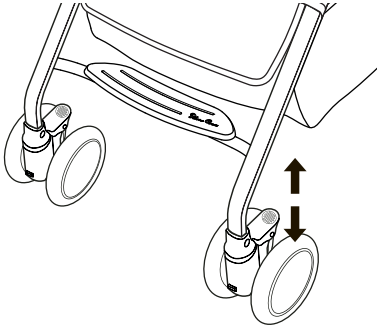
To release the brake, lift up on the brake catch, and both catches will release simultaneously.

**NOTE: ALWAYS APPLY BRAKE WHEN PLACING AND REMOVING YOUR CHILD.**

5.1



6.1

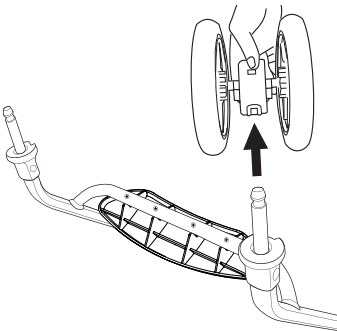


## Using the wheel locks

- 6.1 Your Avia pushchair has front swivel wheels. To lock, locate the locking catch between the front wheels, pivot the wheels into the position for moving forward and lift the locking catch. To use the wheels in swivel mode, release the catch and the wheels will swivel freely. Repeat on each wheel.

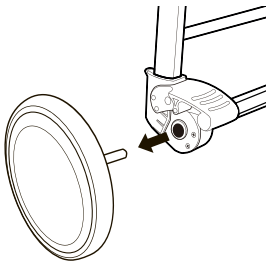
**NOTE: DO NOT ATTEMPT TO SWIVEL THE WHEELS WITH THE LOCK ENGAGED AS THIS MAY DAMAGE THE SWIVEL LOCK.**

6.2



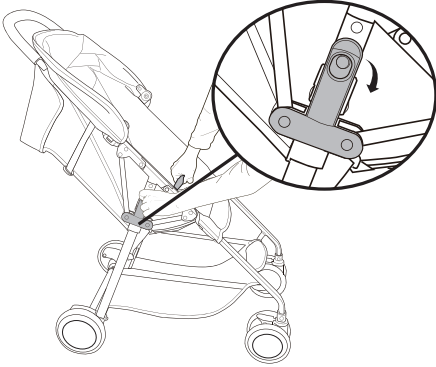
- 6.2 To remove front wheel, ensure wheel locking catch is in locked position. Locate the release button at the front, press and pull off the pin.

6.3



- 6.3 To remove rear wheel, locate release button located beneath the brake lever. Keep button pressed and pull off wheel.

7.1



## Folding the Avia

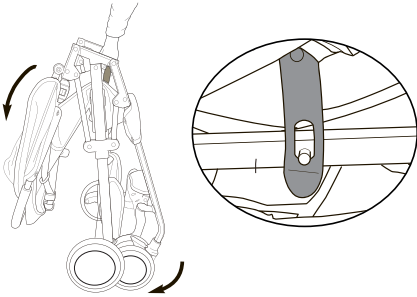
- 7.1 Locate the locking catch on the side of the stroller, and lift outwards to release from the locking stud.

Locate the webbing strap under the fabric flap on the seat.

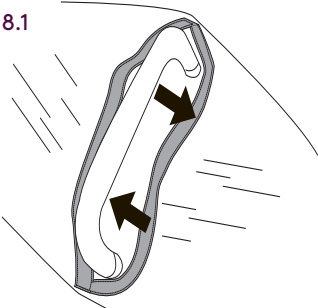
To fold the pushchair, pull the webbing strap upwards whilst lifting the locking catch outwards.

Place the fold latch over the locking stud to keep pushchair folded.

**NOTE: CHECK THERE ARE NO LARGE RIGID ITEMS INSIDE THE BASKET BEFORE FOLDING AS PRESENCE OF SUCH ITEMS MAY LEAD TO DAMAGE OF THE CHASSIS.**



8.1

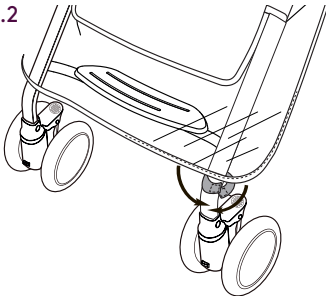


## Attaching the raincover

- 8.1 Ensure velcro closure is open and place this over the handle. Close velcro.

- 8.2 Pull raincover down over pushchair. Attach velcro tab around each front leg.

8.2



---

## Safety notes

This item is a high quality Silver Cross product. It complies with BS EN1888:2012 and with correct use and maintenance will give good service. If however you should have any problems with your product, please contact your Silver Cross retailer who will take appropriate action.

### WARNING:

**THIS PRODUCT IS SUITABLE FROM BIRTH TO 20KG.**

**IT IS RECOMMENDED THE MOST RECLINED POSITION IS USED FOR NEW BORN BABIES.**

**ALWAYS USE THE RESTRAINT SYSTEM.**

**NEVER LEAVE YOUR CHILD UNATTENDED.**

**ENSURE ALL LOCKING DEVICES ARE ENGAGED BEFORE USE.**

**TO AVOID INJURY ENSURE THAT YOUR CHILD IS KEPT AWAY WHEN UNFOLDING AND FOLDING THIS PRODUCT.**

**DO NOT LET YOUR CHILD PLAY WITH THIS PRODUCT.**

**THIS PRODUCT IS NOT SUITABLE FOR RUNNING OR SKATING.**

**PARKING DEVICE SHALL BE ENGAGED WHEN PLACING OR REMOVING THE CHILD.**

**ANY LOAD ATTACHED TO THE HANDLE AND/OR THE BACK OF THE BACKREST AND/OR ON THE SIDE OF THE VEHICLE WILL AFFECT THE STABILITY OF THE VEHICLE.**

**DO NOT CARRY MORE THAN ONE CHILD IN THIS PUSHCHAIR.**

**DO NOT STAND A SECOND CHILD ON REAR LOCK AND USE AS A BUGGY BOARD.**

**DO NOT ATTACH A THIRD PARTY BUGGY BOARD.**

**ACCESSORIES WHICH ARE NOT APPROVED BY SILVER CROSS SHALL NOT BE USED.**

**ONLY REPLACEMENT PARTS SUPPLIED/RECOMMENDED BY SILVER CROSS SHALL BE USED.**

**DO NOT USE IF ANY PART IS BROKEN, TORN, OR MISSING.**

**THE CHILD SHOULD BE CLEAR OF MOVING PARTS WHILST MAKING ADJUSTMENTS.**

**DO NOT ALLOW YOUR CHILD TO CLIMB IN OR OUT OF THE PUSHCHAIR OF THEIR OWN ACCORD, AS THIS COULD RESULT IN INJURY TO YOUR CHILD OR DAMAGE TO YOUR PUSHCHAIR.**

**NEVER LEAVE YOUR CHILD IN THE PUSHCHAIR WITH THE RAINCOVER FULLY FITTED OTHER THAN IN NORMAL OUTSIDE USE.**

**THE SAFETY OF YOUR CHILD IS YOUR RESPONSIBILITY.**

**SEAT UNIT ONLY COMPATIBLE WITH: AVIA CHASSIS.**

---

Always hold the seat when making adjustments. Be sure that the parking brake is on. If you have any difficulty in folding or unfolding the pushchair do not force as this will cause damage. Read the "To fold or unfold" instructions carefully. It may be unsafe to fit accessories or spare parts other than those supplied or recommended by Silver Cross. If anyone other than the owner is going to use this product (e.g. grandparent, child minder), please show them how to use it correctly.

## Care and maintenance

Chassis - Always check your pushchair for signs of wear. Regularly lubricate all moving parts. Check for freedom of movement of all locking devices. Polish metal work with a clean, dry cloth.

Dirt and dust within moving mechanisms may be rinsed away with clean water. Do not soak or submerge.

Fabric items - Please refer to the washcare instructions on each individual item's washcare label.

Seat Unit - To clean, sponge area with warm soapy water. Rinse well with clean water to avoid staining. Allow to dry naturally, away from direct heat and strong sunlight.

Never machine wash, tumble dry, iron or bleach any of the fabric items or seat unit. A certain degree of fading may occur over time through everyday use.

## Guarantee

All Silver Cross products are guaranteed for a period of 12 months against faulty workmanship, when the product is used correctly according to the instruction manual.

Please read these instructions carefully before using your new Silver Cross product and keep for future reference.

[www.silvercrossbaby.com](http://www.silvercrossbaby.com)

Silver Cross®

THE BEST START IN LIFE

Silver Cross (UK) Ltd, Micklethorn, Broughton, Skipton, North Yorkshire, BD23 3JA

[silvercrossbaby.com](http://silvercrossbaby.com)

SXAVIA-0317-UK