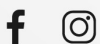




INSTRUCTION MANUAL

LINEAR MINIMALIST AND MODERN WALL LAMP

Redhoumy



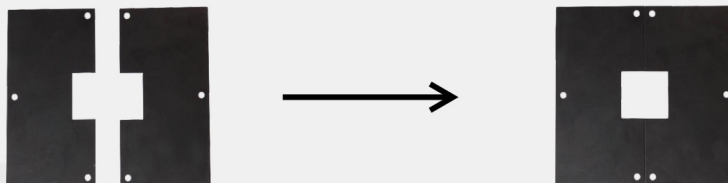
Thank you for choosing **Redhoumy** as your shopping destination. We value your business greatly and are committed to delivering exceptional customer service at every step of your experience. In order to ensure your complete satisfaction, we have provided a comprehensive installation guide for your convenience. If you require any further assistance, please do not hesitate to reach out to us at support@redhoumy.com. Our dedicated team of customer service representatives will be more than happy to assist you promptly.

Prior to commencing the installation process, please take the following precautions:

- Turn off the electrical power to the fixture from the electrical panel.
To ensure your safety, utilize an appropriate voltage tester to verify that there is no power running to the fixture before initiating any work.
- Do not solely rely on a wall switch to protect yourself against electrical shock.
- Please note that the installation procedure necessitates the expertise of an experienced electrician.

If you have purchased the version that includes the app+ Alexa functionality, we recommend setting up the app after completing the wiring process but before installing the lamp. This will ensure a smoother installation and integration process. Once the wiring is done, follow the provided instructions to set up the app and connect it with Alexa. This will enable you to control the lamp conveniently through the app and voice commands using Alexa.

Please note that this product is not designed to cover a standard US junction box due to its slim design. To address this, we have provided a junction box cover that can be installed to effectively conceal the box. The wall plate consists of two separate pieces that can be combined together to form a square-shaped cover. Please refer to the image below for visual reference:



Assembly Inventory:

Please review the following items to ensure that all components are present. If you discover any missing items, kindly contact our customer service team for **assistance**:

A - 1 x Assembled LED Light (refer to image 1.1)

Includes light bar and wires

B - 2 x Wall Base (black color)

Required only for corner installations

C - 2 x Silver Brackets

Can be used individually for flat surfaces or in combination with item B for corner installations

D - 4 x Regular Screws (silver or black color)

E - 4 x Plastic Drywall Anchors



Tools needed (not included):

To successfully complete the installation, you will require the following tools:

1 x Screwdriver

1 x Electric Drill

Image 1.1

Instructions for Flat Surface Placement

Step 1:

Using a pencil or pen, mark the desired drilling positions on the wall. As the back of the light is empty, you have flexibility in positioning the silver brackets. We recommend placing one near the top and one near the bottom. Ensure that you take into account the wiring position on your wall or ceiling during this process.

Step 2:

Using an electric drill, create holes in the wall at the marked positions from step 1.

Step 3:

Insert the plastic drywall anchors into each hole. Take care not to damage or force the anchors into the holes. If the holes are too small, you may need to enlarge them slightly.

Step 4:

Using a screwdriver, securely fasten the silver brackets to the wall by screwing them into the anchors. Do not attach the lamp at this stage, as this step should be completed after wiring.

At this point, you have set up the positioning of the lamp, and it is time to wire it. If you need a plate to cover the junction box opening in your wall (also known as a junction box cover), proceed to step 5. Otherwise, you can skip to step 6.

Step 5 (Skip if junction box cover is not needed):

If the hole in your wall is wider than the lamp, we have provided a junction box cover. Use a pencil to mark the drilling positions on the cover, and then drill six holes accordingly. Insert the plastic drywall anchors into each hole and screw the wall plate onto the wall. The wall plate consists of two pieces that combine to form a square-shaped cover. Ensure that the wall wires remain accessible by inserting them through the center of the junction box cover.

Step 6 (Skip if you ordered the plug-in version):

Identify the wires: Black Wire (Live), White Wire (Neutral), Yellow Wire (Ground). Connect the lamp wires to the corresponding wall wires, and either tuck them inside the lamp or within the wall.

Step 7:

Attach the wall lamp to the silver brackets by squeezing the brackets into the back of the lamp.

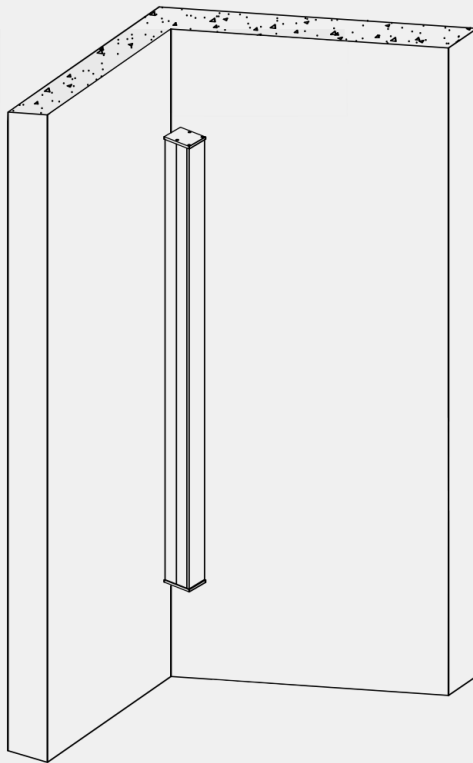
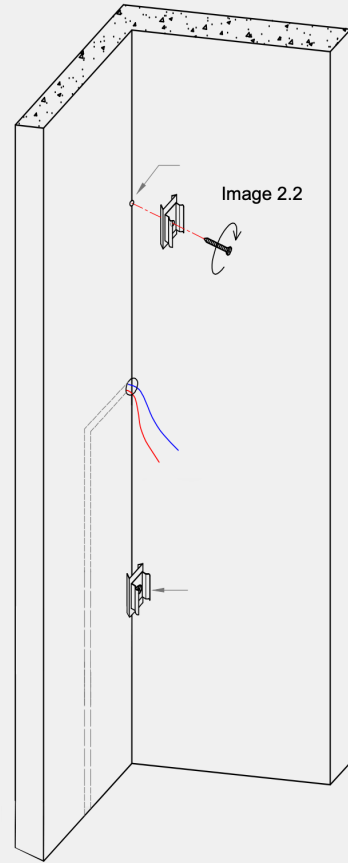
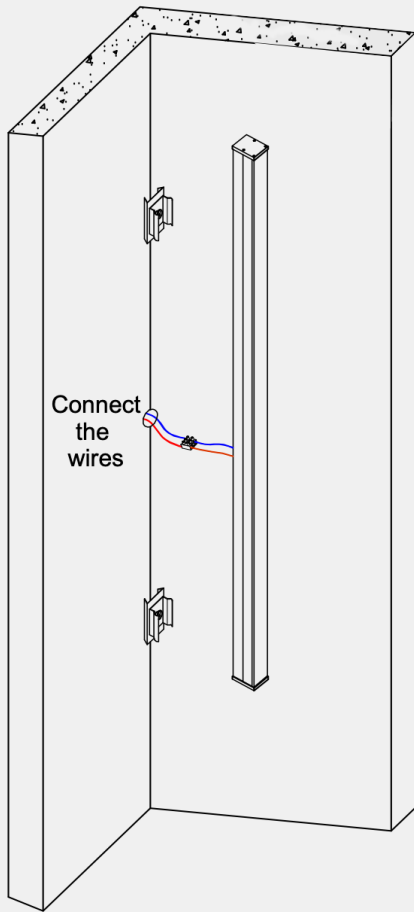
You can now turn on the electrical power and test the lamp to ensure it is functioning properly.

The instructions above are for flat surface placement. If you are installing the light in a corner position, please refer to the additional steps provided on the next page.

Redhoney

Instructions for Corner Position Placement

In line with the earlier directions, instead of directly screwing the silver brackets into the wall, we have included a smaller black bracket (item B). Begin by screwing the black bracket into place, followed by securing the silver bracket on top of it, as demonstrated in image 2.2.



Redhounny

Remote Control Instructions

Please take note that the remote control is included with the dimmable version only.

1 - Install two AAA batteries into the remote control. Once the batteries are properly installed, aim the remote at the light fixture and press the "On" button to turn on the light. The remote should automatically connect once the batteries are inserted. If the remote does not connect, please proceed to step 2.

2 - To connect the remote control to the lamp, you need to do it within the first 5 seconds after powering on the fixture. Press and hold the "Connect" button on the remote until the fixture flashes.

3 - Once the light is illuminated, use the "+" and "-" buttons on the remote to adjust the brightness. Pressing the "+" button will increase the brightness, while pressing the "-" button will decrease it.

4 - Additionally, you can use the "k+" and "k-" buttons on the remote to adjust the color temperature of the light. Pressing "k+" will increase the temperature, resulting in a warmer emitting color, while pressing "k-" will decrease the temperature, producing a cooler emitting color.

Helpful information: The bottom 5 buttons on the remote control serve the following functions:

1. Adjust brightness
2. Dim the light
3. Select the Warm White (4000K) option
4. Select the Warm (3000K) option
5. Select the Cold White (6000K) option



Redhoney