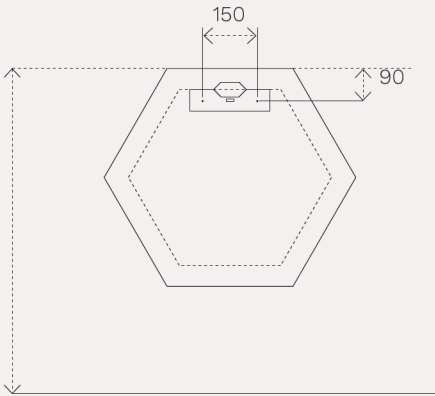


ACOUSTIC HEXAGON

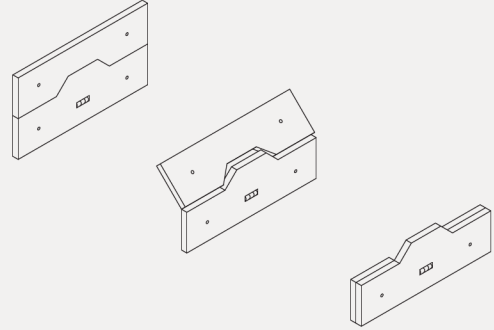
INSTALLATION GUIDE

Flat top orientation



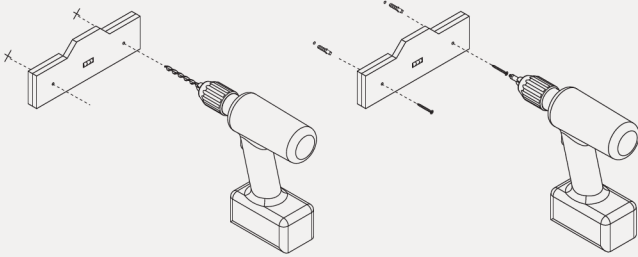
①

Determine the position of the Hexagon.



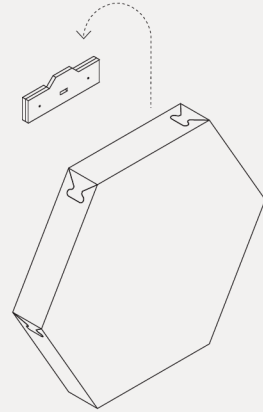
②

Place the spirit level in the cut-out of the french cleat.



③

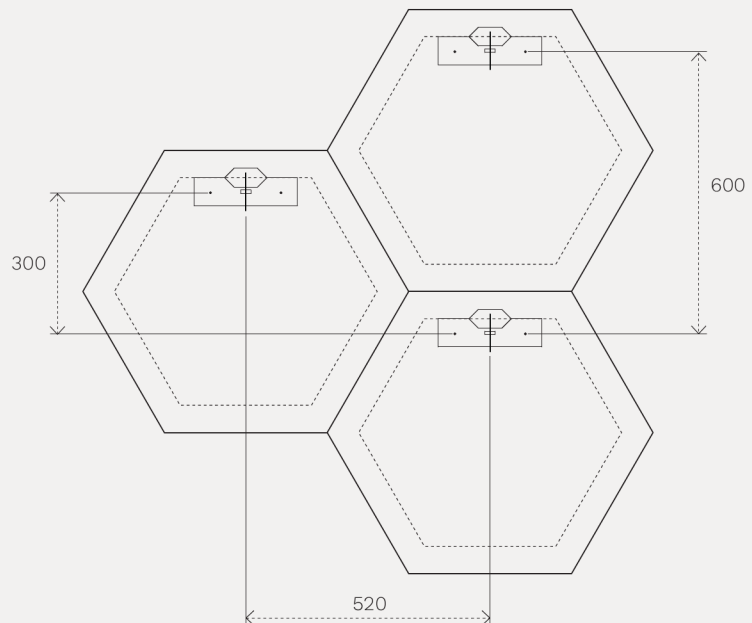
Measure out, drill the holes and attach the french cleat.



④

Once the cleat is secured to the wall, the Hexagon can easily be inserted on it.

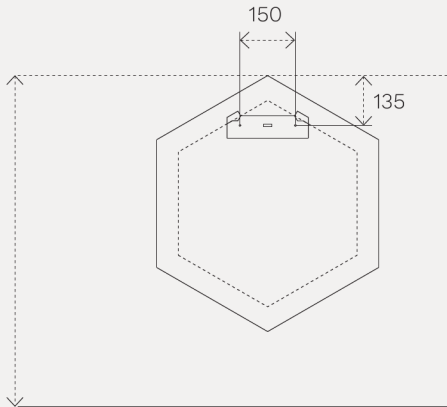
In case you would like to create a pattern the following measurements are required. We recommend to lay it out on the floor first.



ACOUSTIC HEXAGON

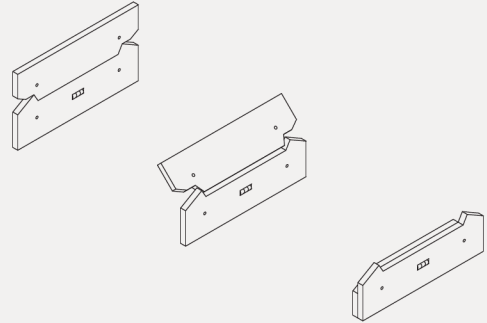
INSTALLATION GUIDE

Point top orientation



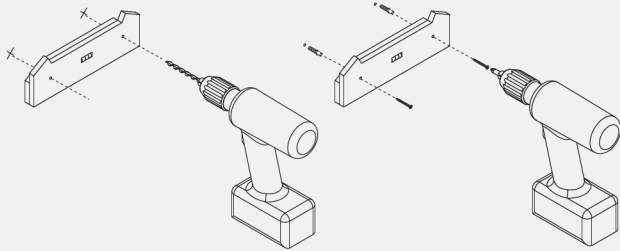
①

Determine the position of the Hexagon.



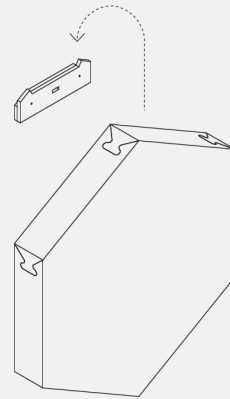
②

Place the spirit level in the cut-out of the french cleat.



③

Measure out, drill the holes and attach the french cleat.



④

Once the cleat is secured to the wall, the Hexagon can easily be inserted on it.

In case you would like to create a pattern the following measurements are required. We recommend to lay it out on the floor first.

