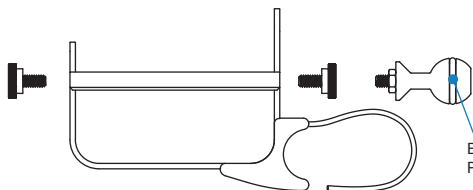
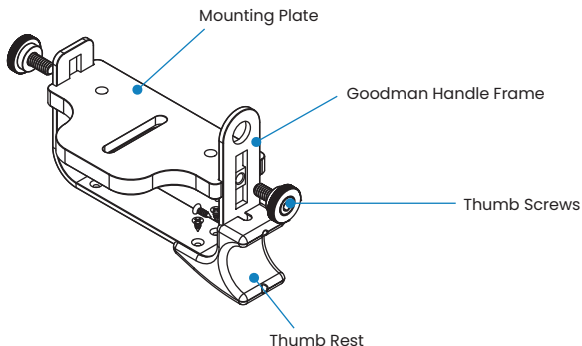


# Goodman Handle

800-0418-A



Ball Mount Thumb Screw (Sold Separately)  
Part # 800-0438-A

## Step 1. Mounting Plate Placement:

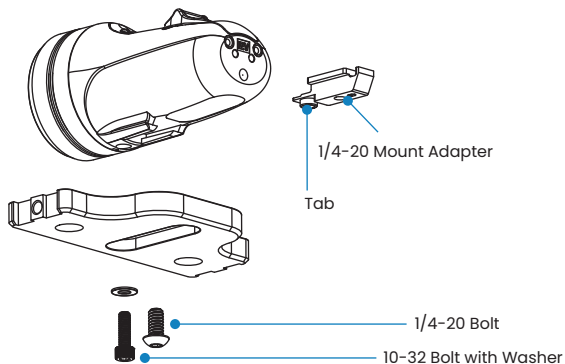
- Position the mounting plate between the Goodman Handle frame with the recess slot for bolt heads facing downwards.
- For left hand: position the thumb rest on the right side and insert the mounting plate with the extended slot facing back - toward your arm.

## Step 2. Thumb Screw Installation:

- Secure the plate position by tightening both thumb screws.

## Step 3. Bungee Cord Attachment:

- Feed the open end of the bungee cord through the hole in the bottom of the thumb rest and tie an overhand knot, pulling the knot into the hole.
- Once the fit is confirmed, cut the tail of the cord with scissors. Make sure to hold the end under a flame to seal it from unraveling.



#### Step 4. Sola 2L Mounting:

- Remove mounting accessories from your Sola.
- Attach the  $\frac{1}{4}$ -20 mount adapter to the Goodman handle plate using the  $\frac{1}{4}$ -20 bolt. Make sure the tab with the hole is facing forward.
- Slide your Sola light onto the mount adapter from the back to the front until the adapter tab hole lines up with the threaded insert on the Sola body.
- Screw in the 10-32 with washer through the Goodman handle plate into the threaded insert in the Sola. Do not over-tighten.

Note: Refer to the exploded view for part identification.

