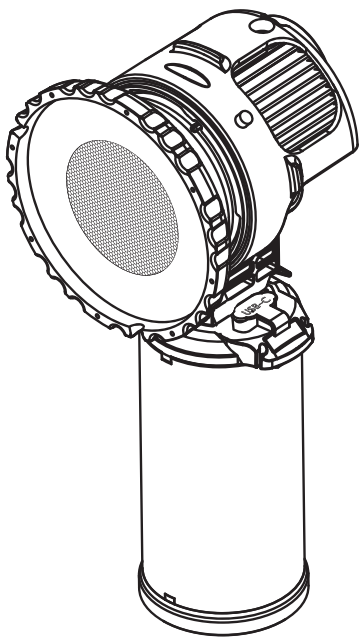


# STELLAPRO® reflex

## User Manual



[stellaprolights.com](http://stellaprolights.com)

# Table of Contents

## **Section 1**

Reflex Light

## **Section 2**

Battery Handle

## **Section 3**

Connecting the light to battery handle and powering on

## **Section 4**

Operation basics

## **Section 5**

OLED display

## **Section 6**

Menu overview

## **Section 7**

Light settings for operation with wireless transmitters

## **Section 8**

Firmware Updates

## **Section 9**

Notes on use

## **Section 10**

Additional Information

## Section 1 REFLEX LIGHT

1/4-20  
Mounting Point

Direct mount

Speedring Mount

Umbrella Mount

OLED Display

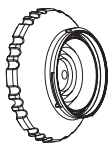
3.5 mm port  
External Trigger

Mounting Point

USB-C Port

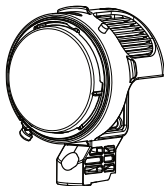
Control Dial

### DIRECT MOUNT



Medium Spot Flat Port  
Optic

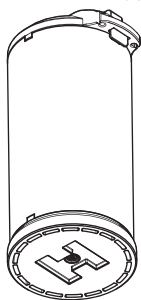
Cover\*



\*Always install a cover or optic over the exposed LED to protect against dust or moisture

## Section 2

### BATTERY HANDLE



Lanyard holes

Power Button

USB-C Port Cover



Mounting Latch

#### State of Charge (SOC) LEDs

(25%, 50%, 75%, 100%)

BATTERY INDICATOR LED

to indicate battery state

Charging (Green)

Discharging (Red)

Pole Mounting Feature

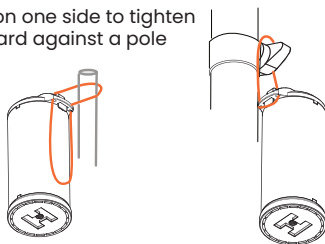
#### MOUNTING BATTERY HANDLE TO LIGHT STAND

#### MOUNTING ON POLE

Pull on one side to tighten lanyard against a pole



Allen bolt  
secures  
connection

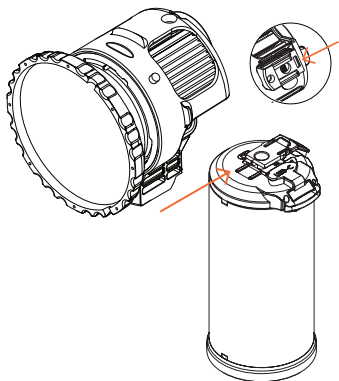


\*Professional Light Stand Sold Separately

Attach a loop to a  
light stand knob.

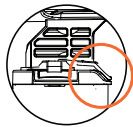
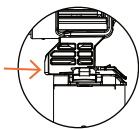
## Section 3

### CONNECTING LIGHT TO BATTERY

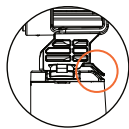


Push light onto battery until it "clicks" **Tip:** Push from the front top of the optic

Connector tab should no longer be compressed

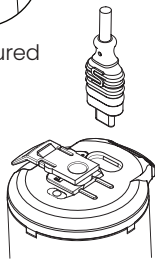
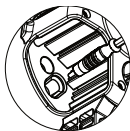


Unlatched



Secured

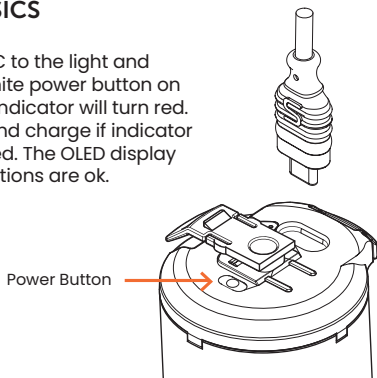
Connect USB-C cord to Reflex light and battery USB-C ports



## Section 4

### OPERATION BASICS

Connect short USB-C to the light and battery. Press the white power button on the battery. Battery Indicator will turn red. Check connection and charge if indicator light does not turn red. The OLED display will turn on if connections are ok.

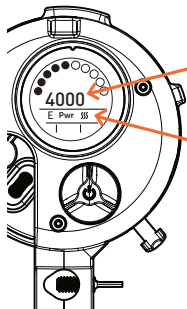


### USING THE CONTROL DIAL

- **A Short press (1 sec)** switches between Continuous and Digital Burst\* (Or advance through menu)
- **A Medium press (2 sec)** enters and exits the the Reflex menu
- **Long press (4 sec)** to enter power off (Unplug when putting in storage or traveling)
- **Rotate Clockwise** to increase output (Or change menu setting)
- **Rotate Counter-clockwise** to decrease output (Or change menu setting)

\*Transmitter is required for wireless burst operation

## Section 5 OLED DISPLAY



[	<b>Lm</b>	100-9000 Lumens 1.0-5.0
	<b>Stops</b>	Stops* 1/160-1/2500 Second
]	<b>SSS/L</b>	<b>LED Overheating</b> (Turn off to cool down)
	<b>SSS/B</b>	<b>Battery Overheating</b> (Turn off to cool down)
	<b>SSS/!</b>	<b>Sensor Fault</b> (Return for service)

## Section 6 MENU OVERVIEW

To navigate the menu, short press dial to advance the sub-menu.  
Rotate dial to change the setting.

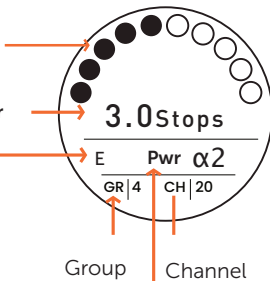
Power Level Indicators

Continuous/Burst Power

Wireless Modes

Godox,  
Elinchrom,  
Bluetooth, Profoto,  
- Radio Off

Burst Modes



**Pwr** Control the lumen output with a set  
**POWER** burst duration of 5 milliseconds

**L** Control the burst duration with a set  
**DURATION** lumen output of 18000 lumens

## Section 7

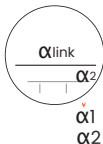
### CHANGING LIGHT SETTINGS

Enter and exit the menu by pressing the control dial for 2 seconds

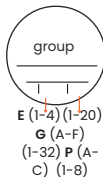
**Menu selection:** Short press to advance through sub-menus



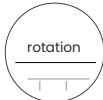
**Burst Mode** - Rotate dial to select burst mode: Power or Duration



**Proportional ( $\alpha$ ) Link** - Rotate dial to cycle through link modes. When active Reflex will strobe **n times** brighter than current continuous light.



**Group & Channel** - Rotate dial to select group and channel



**Rotation** - Rotate dial to change display orientation (4 directions) for mounting Reflex horizontal or upside down.



# Burst Modes

## Pwr POWER

5ms Burst Adjustable
Power

Use this mode to:

- Shoot at any shutter speed (including HSS)
- Freeze action with the shutter
- Maximize the amount of light on subject



## DURATION

Adjustable Duration (0.4ms - 6ms)
18000 Lumens

Use this mode to:

- Shoot at the camera's X-Sync shutter speed or longer (not HSS)
- Freeze action with light
- Best used in low light situations

# αLink Mode

Only exact at shutter speeds faster than 1/200

## α1

Burst power matches continuous power
--------------------------------------

Optimize your settings in constant mode and, with Link set to α1, Digital Burst will duplicate Continuous Power level.

## α2

Burst power delivers one stop more light than set continuous power setting
--

Preset your camera to anticipate one more stop of light by underexposing one stop of light.



**Wireless** - Rotate dial to select transmitter type (Elinchrom, Godox, Profoto, Bluetooth, Wireless OFF)

Set Wireless mode to Bluetooth to perform firmware updates. Make sure you have exited the menu.

(Raven transmitter works on **P** or **G** mode)

## Section 8

### UPDATING REFLEX FIRMWARE

1. Download the StellaPro Imaging Control Application
2. Set Reflex Wireless Mode to Bluetooth
3. Exit Reflex Menu
4. In the app scan for Devices
5. Select a Device to connect
6. Enter Serial Number
7. Select a Device to start update

## Section 9

### HOW TO USE REFLEX

There are 3 distinct mode; Continuous, Burst, and Continuous interrupted by Burst upon triggering.

#### 1. **Continuous**

- Rotate dial to desired power output in lumens.
- Your trigger may also allow remote adjustment of continuous power.
- Maximum power from the battery handle is 9000 lumens.
- Maximum power from a 100W USB-C source is 9000 lumens.

#### 2. **Digital Burst**

- When set to **Pwr**, rotate the dial to set burst power. Maximum burst power is 1 stop more light than maximum continuous mode.
- In Duration mode (⌚), rotate the dial to set duration from 0.4ms (1/2500 sec) to 6ms (1/160th sec).

#### 3. **Continuous** light that **Bursts** upon triggering

- Sync Reflex with trigger (same as Digital Burst Mode)
- Set Constant light (using dial or trigger)
- Set Burst power with trigger. Trigger signal will cause the light to deliver Burst power.
- Set your exposure to -1 when link is set to  $\alpha 2$ . When shutter opens Reflex will deliver extra stop of light.

## **Battery Runtime**

### **Continuous**

Full Power: 40 minutes Low Power: 2000 minutes

### **Digital Burst**

18,000 full power Digital Bursts

**Charge Time:** 1.25 hours\*

\* With a minimum 60W USB-C Charger

(Chargers with lower wattage will charge with variable charge times)

### **Reflex Battery Handle 100W**

Continuous: 100–9000 lumens

Digital Burst: 1125–18000 lumens

### **External USB-C PD 100W\*\***

Continuous: 100–9000 lumens

Digital Burst: 1125–18000 lumens

\*\* Not Included

### **For Travel**

Unplug battery from light.

Have at least 30% charge when putting Battery in storage.

### **Fully charge battery before first use**

Charge your battery before first use. Periodically, check the charge of the battery during storage. Fully charge your battery before use. The battery has internal protections that ensure the battery is safely maintained regardless of charge state.

### **Temperature Warning:**

While in full power continuous mode use the battery may get noticeably warm. This is normal. Should the temperature increase beyond safe levels the overheat symbol will appear and operation will pause until battery cools down.

### **Direct Mount Accessories**

Spot Optic 12°	800-0372
Medium Optic 24°	800-0373
Medium Wide Optic 36°	800-0406
Wide Optic 56°	800-0408
Flat Port Cover	800-0340
Dome Diffuser	800-0335
50° Optic	800-0337

### **Speedring Adapters**

Chimera Speedring	800-0382
Profoto	800-0400

### **Mounts**

Reflex 4S YS Mount Kit	800-0427
Bar Mount	800-0401

### **Other Accessories**

Barn Door/Gel holder	800-0383
3 CTO Set (Full, 1/2, 1/4)	800-0385
-82mm Glass	
RGB Color Set	800-0410
-82mm Glass	
Remote Control	800-0325
1/4-20 Mount Base Receiver	800-0402
Cold Shoe Mount Kit	800-0403

### **Power Supplies**

100W USB-C AC Power Supply	552-9618
----------------------------	----------

## Transmitters

Menu options allow you to choose between Elinchrom, Godox and Profoto wireless protocols.

Plug in any 3.5mm receiver to the sync port to operate with external receivers.

## OPERATIONS SPECIFICATIONS



### Reflex auto fan operation

Integrated variable speed fan automatically turns on when light output exceeds 2900 lumens.

Low Speed (3000-7000), High Speed (7100-9000).



### Operating from external power

Reflex will deliver 9000 lumens (18,000 lumens in burst) when connected to 100W or greater external power source.

# Download StellaPro Imaging Control (iOS & Android)



## Registering for a StellaPro Account

Register for a StellaPro account to get access to the latest firmware updates along with tips and tricks from our Ambassadors and community members.

## Firmware update

Please make sure to update your Reflex to the latest firmware to ensure the Reflex is operating to its full capabilities. Update performed from the StellaPro Imaging Control app.

## Warranty

StellaPro products are covered against defects in workmanship and materials under normal use and service for 2 years from the date of purchase. Please register your device (Reflex only) to activate warranty coverage. Batteries, by nature of their use, are covered for 1 year.

Warranty is non-transferable and does not cover failures from misuse. We will repair or replace, at our discretion, any product that is found to be defective under our warranty policy. Verification of purchase date must be provided with any claim.

## Storage & Travel

Never store the batteries fully discharged as this may cause permanent damage. Unplug from battery when traveling.

## Regulatory Information



UN 38-3  
COMPLIANT

Light & Motion Industries,  
711 Neeson Road, Marina, CA, USA

## General Performance with given USB-C Supply Power Rating

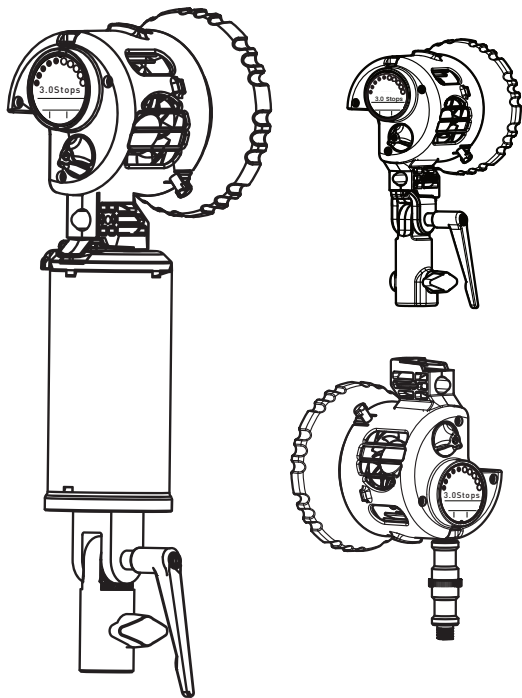
<b>USB-C Power Supply</b>	<b>60W</b>	<b>100W</b>
<b>Reflex Lighthouse</b>	6,000 Lumens, Burst 12,000 Lumens	9,000 Lumens, Burst 18,000 Lumens
<b>Reflex 70Wh Battery</b>	1.25Hr charge time	1.25Hr charge time

Find our Recommended Power Supplies at [lightandmotion.com/pages/reflex-recommended-power-supplies](https://lightandmotion.com/pages/reflex-recommended-power-supplies)



## Reflex Mounting Options

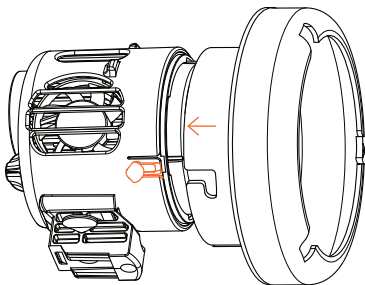
Reflex 4S YS Mount Kit  
800-0427



**1/4"-20 Mounting**  
(Screen Rotated)

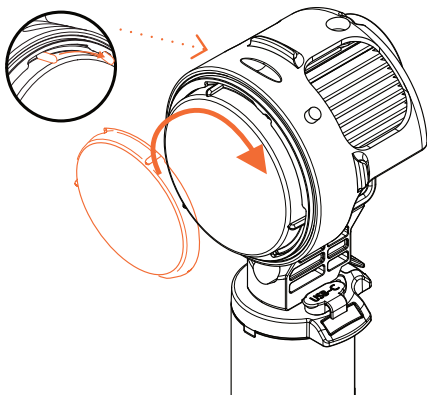
## Speedring Mount

Mount softboxes for Chimera, Profoto, Bowens using a StellaPro Speedring.



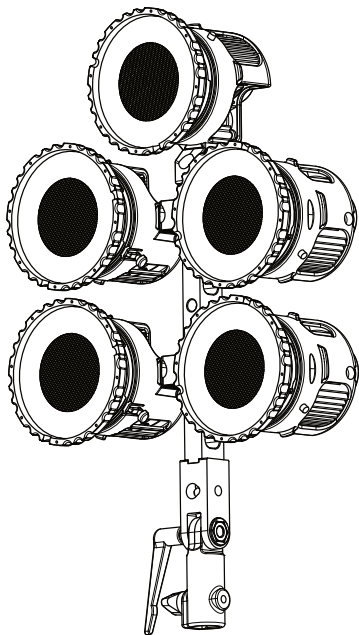
## Direct Mount

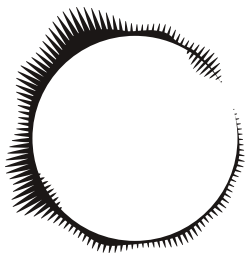
Direct Mount modifiers require a press-in and clockwise turn to lock. Always operate the Reflex with a Direct Mount modifier installed.



## Reflex Bar

(Mount 1 to 5 lights) 800-0401





**STELLAPRO<sup>®</sup>**

**#FlexYourReflex**

 **@stellaprolights**

Contact [seva@lightandmotion.com](mailto:seva@lightandmotion.com) for support.

905-0487-A-08