

## IPC675AI-PTZ

### 5MP Active Deterrence Network Mini PTZ Camera with Human/Vehicle Detection

NDA  
Compliant



IPC675AI-PTZ is a 5MP Strobe Light and Audible Warning Network Mini PTZ Camera. Empowered by deep learning algorithms, it can greatly reduce false alarms generated by targets other than humans or vehicles, vastly improve alarm efficiency and effectiveness.

#### Outstanding Features

- 1/2.8" Sony 327 progressive scan CMOS sensor
- Active strobe light and audio alarm to warn intruders off
- False alarm reduction through human and vehicle target classification based on deep learning
- 2.8-12mm lens with Pan/Tilt
- Intelligent perimeter protection, include cross line, intrusion, enter area, leave area detection
- Excellent low-light performance powered by DarkFighter technology
- High quality imaging with 5 MP resolution
- Clear imaging against strong back light due to 120 dB true WDR technology
- Provides real-time security via built-in two-way audio

#### Applications



Factory



Car Dealership



Residence

# Specification

Camera					
Sensor	1/2.7" progressive scan, 5.0 megapixel, CMOS				
Lens	2.8~12mm, AF automatic focusing and motorized zoom lens				
	Lens	Detect(m)	Observe(m)	Recognize(m)	Identify(m)
	2.8mm	63.0	25.2	12.6	6.3
DORI Distance	12mm	270.0	108.0	54.0	27.0
Angle of View (H)	30.6°~104.1°				
Angle of View (V)	17.4°~54.9°				
Angle of View (O)	34.4°~108.3°				
Shutter	Auto/Manual, shutter time: 1 s ~ 1/100000 s				
Minimum Illumination	Colour:0.003 lux (F1.6,AGC ON)				
	0 lux with IR				
Day/Night	IR-cut filter with auto switch (ICR)				
Digital noise reduction	2D/3D DNR				
S/N	>52 dB				
IR Range	UP to 50m (164ft)				
Wavelength	850nm				
IR On/Off Control	Auto/Manual				
Warm Light Range	UP to 10m (33ft)				
WDR	120dB				
Video					
Video Compression	Ultra 265,H.265, H.264, MJPEG				
H.264 code profile	Baseline profile, Main Profile				
Frame Rate	Main Stream: 5MP (2880*1620), Max 30fps; 4MP (2560*1440), Max 25fps;3MP (2304*1296), Max 25fps; 2MP (1920*1080), Max 30fps;				
	Sub Stream: 720P (1280*720), Max 30fps; D1 (720*576), Max 30fps; 640*360, Max 30fps; 2CIF (704*288), Max 30fps; CIF (352*288), Max 30fps;				
	Third Stream: D1 (720*576), Max 30fps; 640*360, Max 30fps; 2CIF (704*288), Max 30fps; CIF (352*288), Max 30fps;				
Video Bit Rate	128 Kbps~16 Mbps				
OSD	Up to 8 OSDs				
Privacy Mask	Up to 8 areas				
ROI	Up to 8 areas				
Motion Detection	Up to 4 areas				
Image					
White Balance	Auto/Outdoor/Fine Tune/Sodium Lamp/Locked/Auto2				
Digital noise reduction	2D/3D DNR				
Smart IR	Support				
Flip	Normal/Vertical/Horizontal/180°/90°Clockwise/90°Anti-clockwise				
Dewarping	N/A				
HLC	Supported				
BLC	Supported				
Intelligent					
Smart intrusion Prevention	Cross Line, Intrusion, Enter Area, Leave Area detection;Motion detection ;				
Events					

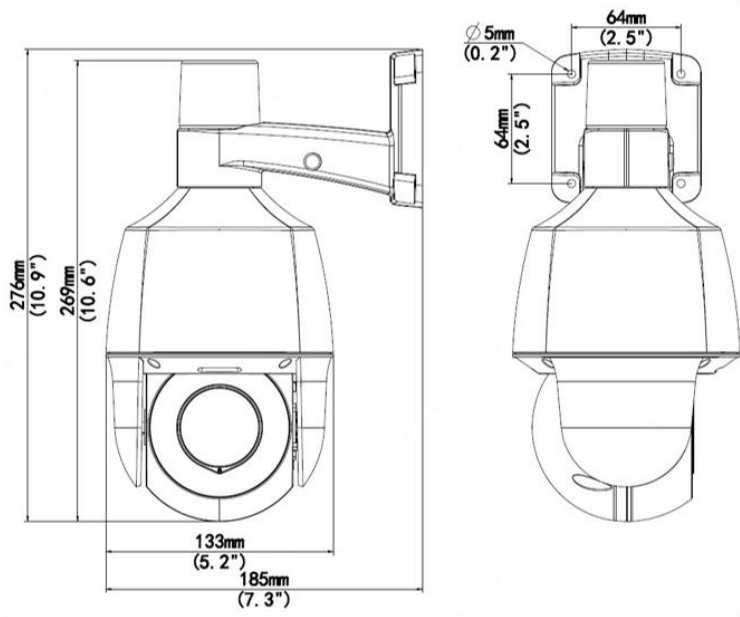
Note: Design and specifications are subject to changes without prior notice.

# Specification

Basic Detection	Motion detection, Tampering alarm, Audio Detection
General Function	Watermark, IP Address Filtering, Tampering Alarm, Access Policy, ARP Protection, RTSP Authentication, User Authentication
<b>Audio</b>	
Audio Compression	G.711U, G.711A
Two-way Audio	Supported
Suppression	Supported
Sampling Rate	8 KHZ
<b>Storage</b>	
Edge Storage	Micro SD, up to 256 GB
Network Storage	ANR, NAS(NFS)
<b>Network</b>	
Protocols	IPv4, IGMP, ICMP, ARP, TCP, UDP, DHCP, PPPoE, RTP, RTSP, RTCP, DNS, DDNS, NTP, FTP, UPnP, HTTP, HTTPS, SMTP, 802.1x, SNMP, SSL
Compatible Integration Client	ONVIF(Profile S, Profile G, Profile T), API EZStation EZView EZLive
Web Browser	Plug-in required live view: IE9+, Chrome 41 and below, Firefox 52 and below Plug-in free live view: Chrome 57.0+, Firefox 58.0+, Edge 16+, Safari 11+
<b>Pan &amp; Tilt</b>	
Pan Range	0°~345°
Pan Speed	0.1°/s ~ 50°/s Preset speed: 50°/s
Tilt Range	-10~110°
Tilt Speed	0.1° ~ 40°/s Preset speed: 40°/s
Number of Presets	256
Patrol	Preset patrol, Route patrol
<b>Interface</b>	
Network	1 RJ45 10M/100M Base-TX Ethernet
Built-in Mic	Supported
Built-in Speaker	Supported
Alarm Light	Supported
<b>Certifications</b>	
Certifications	CE: EN 60950-1 UL: UL60950-1 FCC: FCC Part 15
<b>General</b>	
Power	DC 12V±25%, PoE (IEEE802.3 at) Power consumption: Max 18 W
Dimensions (Ø x H)	Φ133mm*269.4mm (Φ5.2"x 10.6")
Net Weight	0.87 kg (1.92lb)
Gross Weight	1.13 kg (2.49lb)
Material	Metal + Plastic
Working Environment	-20°C ~ 60°C (-4°F to 140°F), Humidity:≤95% RH(non-condensing)
Storage Environment	-20°C ~ 60°C (-4°F to 140°F), Humidity:≤95% RH(non-condensing)
Surge Protection	4KV
Ingress Protection	IP66
Reset Button	Supported

Note: Design and specifications are subject to changes without prior notice.

# Dimension



# Accessories



TR-JB07-D-IN



TR-UP06-B-IN



TR-UP06-C-IN



TR-A01-IN