

LINOVISION

# POE-SWR608G


User Manual

Updated on April 17,2024

## Packing List

When using the Switch for the first time, carefully open the packing box. The packing box should contain the following items:

- PoE Switch \*1
- User Manual \*1
- Wall Mount Accessory \*1
- Terminal \*1
- Din Rail Mount Accessory \*1

 **Note:** Precision devices are built in the device, please handle them carefully to avoid violent vibration, which may affect the performance of the device. If you find that the equipment is damaged or any parts are lost in the process of transportation, please inform us, we will give you a proper solution as soon as possible.

## Statement

Product specifications and information mentioned in this manual are for reference only and are subject to change without prior notice. Unless otherwise agreed, this manual is for use only and does not constitute any form of warranty.

## Convention

The product pictures in this document are for illustration only. The number and positions of ports depend on actual models. This document helps you correctly use the Switch. It describes the performance characteristics of the Switch and describes how to install the Switch. Read this manual carefully before operating the Switch.

## Directory

Chapter 1 Introduction To The User Guide .....	3
1.1 Use .....	3
1.2 User Manual Overview .....	3
Chapter 2 Product Introduction .....	4
2.1 Product Overview .....	4
2.2 Product Features .....	4
2.3 Product Advantage .....	5
Chapter 3 Product Appearance Description .....	6
3.1 Front panel .....	6
3.2 LED Indicator .....	7
3.3 Side Plate .....	7
Chapter 4 Installation Guide .....	7
4.1 Installation Precautions .....	8
4.2 Installation Environment .....	8
4.3 Installation .....	9
Appendix: Technical Specifications .....	11

# **Chapter 1 Introduction To The User Guide**

Thank you for purchasing our 8GE +4G SFP Web Smart PoE industrial switch, The device adopts storage and forwarding, fanless, low power consumption design, has the advantages of easy to use, compact and beautiful, simple installation, etc. The product is designed to meet Ethernet standards, with lightning protection, static protection mechanism, operating temperature range of -20°C to 60°C, stable performance, safety and reliability, can be widely used in intelligent transportation, telecommunications, security, financial securities, customs and other broadband data transmission fields.

## **1.1 Use**

This document is intended to help users familiarize themselves with and correctly use 8GE+4G SFP Web Smart PoE industrial switch

## **1.2 User Manual Overview**

Chapter 1: Introduction To The User Guide.

Chapter 2: Product Introduction.

Chapter 3: Product Appearance Description.

Chapter 4: Installation Guide.

Appendix: Technical Specifications.

## Chapter 2 Product Introduction

### 2.1 Product Overview

8GE +4G SFP is an Web Smart PoE industrial switch developed by our company. It provides 8\*10/100/1000Mbps adaptive RJ45 ports and 4\*1000Mbps SFP Slots. 1-8 ports support PoE powering with a maximum port output of 30W. support static routing function, provide perfect security policy, QoS policy, and rich VLAN function, with the ring network function, you can set up a ring network, the switches through the form of the ring through the form of the ring network topology, its redundancy, high reliability and other features can make the ring network in a link disconnection will not affect the data forwarding on the network. Its redundancy, high reliability and other features can make the data forwarding on the ring network will not be affected when one of the links of the ring network is disconnected.

The device adopts fanless, low power consumption design, which has the advantages of easy to use, small and beautiful, simple installation. The product design complies with Ethernet standards, with lightning protection, electrostatic protection mechanism, operating temperature range of -20°C ~ 60°C, stable performance, safe and reliable, can be widely used in intelligent transportation, telecommunications, security, finance, securities, customs and other broadband data transmission areas.

### 2.2 Product Features

- Operating temperature: -20°C ~ 60 °C;
- DIN-Rail type installation;
- Industrial grade components;
- Supports IEEE802.3af/at standards with a maximum output power of 30W on ports 1-8;
- IEEE 802.3x full-duplex flow control and Backpressure half-duplex flow control;
- Support one-key ring network, one-key storm suppression function, with redundancy design, high reliability;
- Highly reliable design, supporting traditional STP/MSTP/RSTP Layer 2 link protection

technology;

- Support static convergence and dynamic convergence (LACP) 2 convergence modes, effectively increase the link bandwidth, improve the reliability of the link, and at the same time can achieve load balancing, link backup;
- Flexible and convenient management and maintenance Supports various management modes, such as Console, Telnet, and SSH;
- Support WEB management, simple and efficient, convenient for installation and debugging of engineering and maintenance personnel;
- Support HTTP/TFTP/FTP file upload and download management;
- 2 power inputs, redundant backup, greatly improve product power supply reliability.

### **2.3 Product Advantage**

- **-20°C ~ 60 °C operating temperature design**

-20°C ~ 60 °C operating temperature design, selected industrial components, the use of natural heat dissipation, to ensure that the Switch can achieve long-term stable operation within the temperature range, to meet all kinds of use environment.

- **DIN-Rail installation, simple and flexible**

DIN-Rail installation design, easy and quick installation, so that users reduce unnecessary installation time, save time cost.

- **Supports one-click ring network and one-click storm suppression**

Supports one-click loop networks, inhibits broadcast storms, improves network reliability, and strengthens data protection. With strong environmental adaptability and high-speed topology self-healing, it can be widely used in security, monitoring and other scenarios.

- **Supports WEB management, which is simple and efficient**

Provides WEB management functions and supports basic network functions such as 802.1Q VLAN, port monitoring, and port aggregation Yes. You can manage and maintain the network through the WEB UI.



### 3.2 LED Indicator

The LED indicators of the Switch are shown in the following table. Users can monitor the work and running status of the Switch conveniently and quickly through the following indicators:

LED	Color	Function
PWR	Green	Off: No Power supply. Light: Indicates the Switch has power.
DATA	Green	Off: No device is connected to the corresponding port. Light: Indicates the link through that port is successfully established at 10/100/1000Mbps. Blink: Indicates that the Switch is actively sending or receiving data over that port.
PoE	Orange	Off: The port does not power the peer PoE device. Light: A power receiving device is connected to the device and supplies power normally. Blinking: The power supply to the peer device is abnormal.
SYS	Green	Blinking: The system is working properly Light: The system is being started or is abnormal

### 3.3 Side Plate

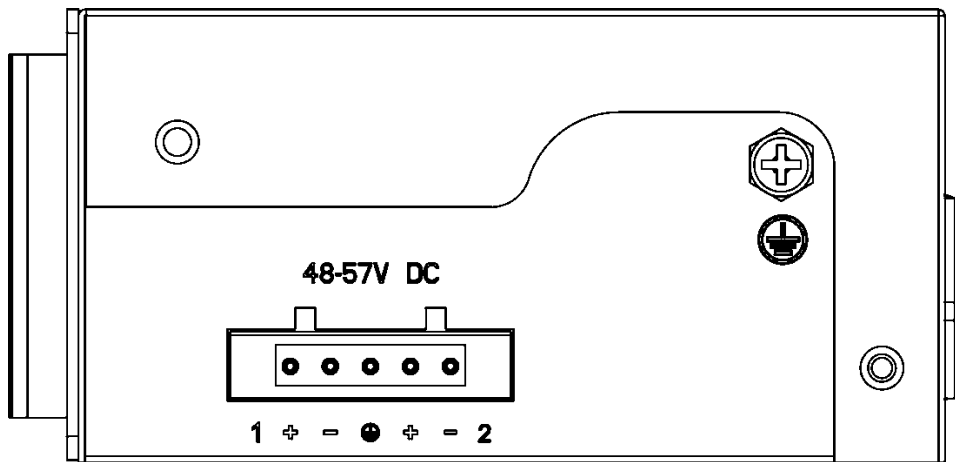


Figure 3-2 Front panel of the 8GE+4G SFP Switch

The side panel of the Switch provides 5-position industrial wiring terminals and power input DC: The standard voltage ranges from 48 to 57V, and the input voltage of 2 PWR1 and PWR2 power supplies ranges from 48 to 57V. The DC power input of the Switch is redundant. The PWR1 and PWR2 power supplies can be used individually or connected to 2 independent DC power supply systems. When any power supply system fails, the device can run normally without interruption, which improves the reliability of network operation.



## Chapter 4 Installation Guide

This chapter helps users correctly install and safely use Switches.

### 4.1 Installation Precautions



**Precautions:** To avoid equipment damage and personal injury, observe the following precautions:

- The Switch room should be dry and ventilated, free from corrosive gases and strong electromagnetic interference.
- The humidity of the Switch equipment room should be 5% to 95%. Install proper equipment if possible.
- The grounding of the Switch shall comply with the grounding requirements described in this manual, and shall be separately and well grounded.
- Keep a proper distance between the Switch and other devices. Do not stack other devices with the Switch.
- The connection cable between the Switch and the distribution frame should be standardized and reasonable, and the distribution frame (box) jumper wire should be concise and clear to prevent the phenomenon of parallel lines and wires;
- To reduce the risk of electric shock, do not open the shell of the Switch when it is working. Do not open the shell of the Switch even when it is not powered on.



#### **Safety Tips:**

- Ensure that the PGND cable of the power socket is properly grounded.
- Ensure sufficient space for heat dissipation and ventilation of the Switch. Do not place heavy objects on the Switch.

### 4.2 Installation Environment

Before installation, make sure that the proper working environment is available, including power requirements, adequate space, proximity to other equipment to be connected, and other equipment in place. Please confirm the following installation requirements:

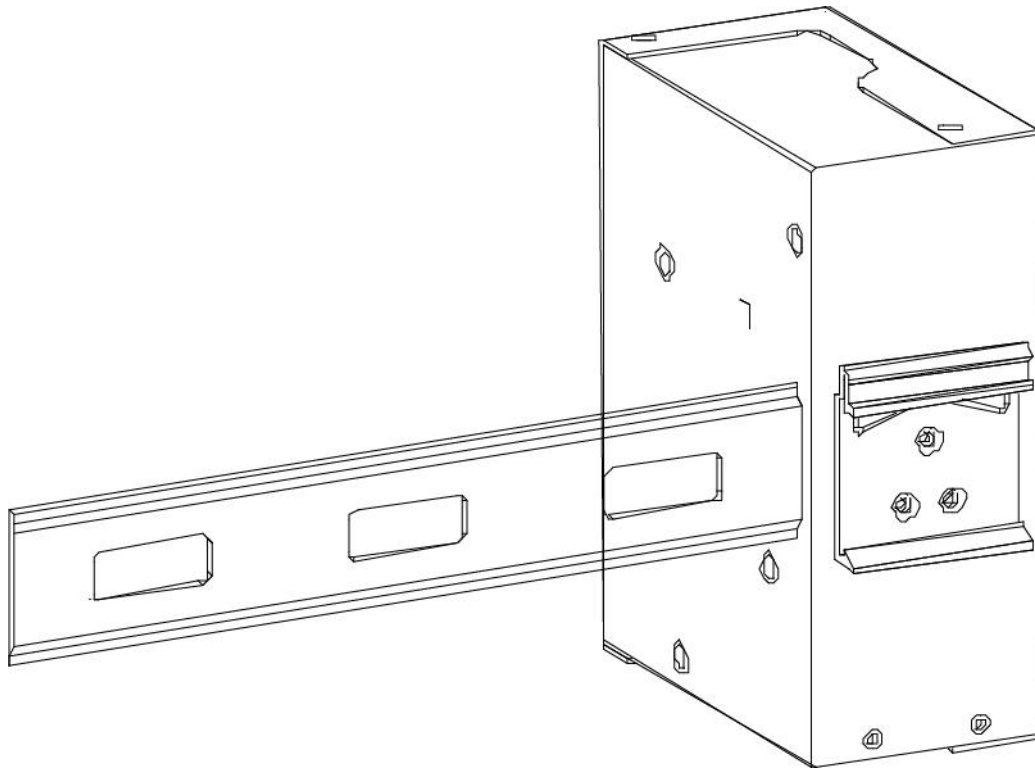
- Ensure the stability of the workbench and good grounding;
- Check whether cables and connectors required for installation are in place (less than 100m).
- The product does not provide installation components. Prepare components of the selected installation type, such as screws, nuts, and tools, to ensure reliable installation.
- Power supply: 48 to 57V DC power supply. Environment: operating temperature: -20°C to 60°C relative humidity: 5% to 95%.

### 4.3 Installation

#### DIN-Rail Installation

The 45mm standard DIN-Rail installation is very convenient for most industrial applications. The installation steps are as follows:

- Check whether the installation accessories of DIN-Rail guide tools are available (installation accessories are provided for this product);
- Check whether DIN-Rail is firmly fixed, whether there is a suitable place to install the product;
- Clamp the lower part of the DIN-Rail connecting seat of the product accessories into the DIN-Rail (lower part with spring support), and then clamp the upper part of the connecting seat into the DIN-Rail (lower part clamp a little, slightly force to keep the balance of the equipment



stuck into the upper part).

Figure 4-1 Schematic diagram of industrial machine guide rail installatio1

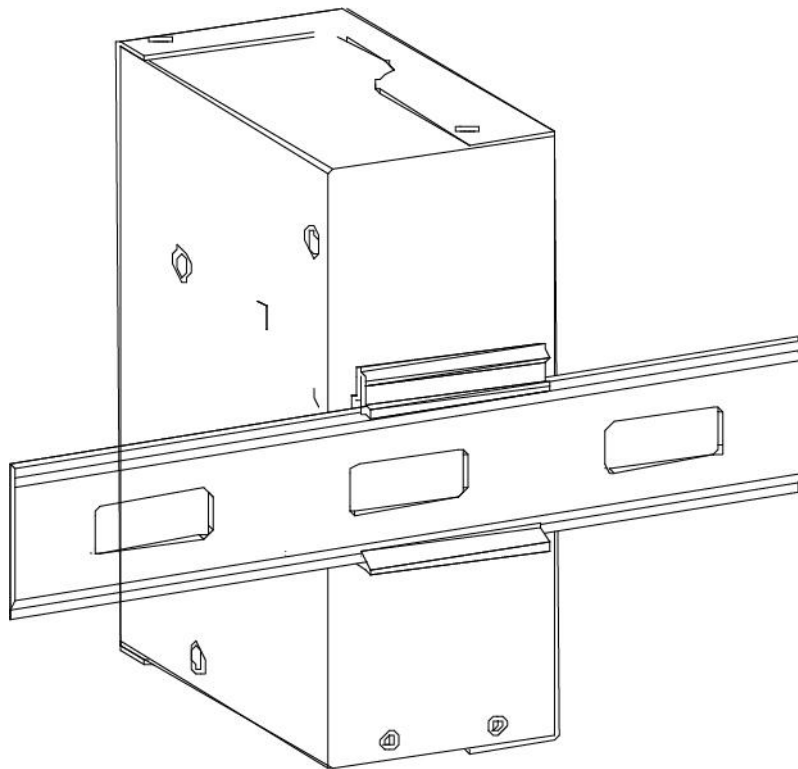


Figure 4-2 Schematic diagram of industrial machine guide rail installatio2

## Appendix: Technical Specifications

<b>Model</b>	8GE+4G SFP Web Smart PoE industrial switch
<b>Standard</b>	IEEE802.3、IEEE802.3u、IEEE802.3ab、IEEE802.3z、IEEE802.3x、IEEE802.1X、IEEE802.1q、IEEE802.1p、IEEE802.1d、IEEE802.1w、IEEE802.3ad、IEEE802.3af、IEEE802.3at
<b>Network Media(Cable)</b>	10BASE-T:UTP category 3,4,5 cable ( ≤100m ) 100BASE-TX:UTP category 5, 5e cable ( ≤100m ) 1000BASE-X:UTP category 5e, 6 cable ( ≤100m ) 1000BASE-X:MMF, SMF
<b>MAC Address Table</b>	8K, Auto-learning, Auto-updating
<b>Jumbo Frame</b>	10KByte
<b>Packet Buffer</b>	4.1Mbit
<b>Transfer Mode</b>	Store-and-Forward
<b>Packet Forward Speed</b>	17.86Mpps
<b>Switching Capacity</b>	24Gbps
<b>Input Power Supply</b>	DC:48-57V,5A Max
<b>Dimensions (L*W*H)</b>	145*109*58mm
<b>Fan</b>	Fanless
<b>Power Supply</b>	200W
<b>PoE Power Budget</b>	180W
<b>PoE Port</b>	Port1~8
<b>PoE Power On RJ45</b>	1/2(+),3/6(-)
<b>PoE Output</b>	30W(Max)
<b>Operating Temperature</b>	-20°C ~ 60 °C
<b>Storage Temperature</b>	-40 °C ~ 80°C
<b>Operating Humidity</b>	5% ~ 95% non-condensing
<b>Storage Humidity</b>	0% ~ 95% non-condensing