

POE-SW708GM-DC12V

Industrial 8 Port Full Gigabit Managed POE Switch with DC12V/DC24V to DC48V Voltage Booster



Outstanding Features

- 8*10/100/1000BASE-T PoE RJ-45 (Auto MDI/MDIX)
- 2*1G/2.5GBASE-X SFP Uplink
- L2 Management - VLAN, QoS, PoE management, PoE port control, ONVIF camera discovery
- Wide Voltage Input - DC12~57V redundant power inputs for solar power systems, vehicles, or AC power-less applications
- Support both Mode A/B PoE outputs
- RS485 port for IoT sensors integration, remote control
- Q-PoE and P-PoE - Quick PoE technology, Perpetual PoE for uninterrupted power supply
- 90W BT PoE - IEEE802.3af/at PoE output, 240W @ 48V, 120W @ 24V, or 60W @ 12V
- PoE Watchdog - Automatically reboots freezing PD devices
- Fanless Design - Industrial-grade, surge and ESD protection, -40°C to +75°C operating range (-40 °F to +167 °F)

Specification

Hardware Specifications	
Ethernet Ports	8*10/100/1000BASE-T PoE RJ-45(Auto-MDI/MDI-X)
	2*1G/2.5GBASE-X SFP (The default value is 1G)
Management Ports	1*RJ-45 Console1*Relay
Serial Port	1*RS-485
	RS-485 signal: D+, D-Check bit: None, Even, Odd, Space, MarkData bit: 5, 6, 7, 8bitStop bit: 1, 1.5, 2bitBaud rate: 300~115200bpsLoad capacity: RS-485 port supports 32-point polling environment (128-point could be customized)Direction control: RS-485 adopts automatic data flow control technology
USB Port	USB3.0
Auxiliary DC Output	OFF/12V/24V@2A max
Init Button	Short press to restart the device, Long press >5s to initialize the system
LED Indicators	2*PWR, power indicators
	1*ALM, alarm indicator
	2*SFP port indicators
Dimensions (W*D*H)	163mm*110mm*95.1mm
Net Weight	1.72kg
Input Voltage	Support redundant power supply, Power 1 (Main): 12~57V DC, Power 2 (Backup): 12~57V DC
Power Consumption	≤250W (Full load including PoE & auxiliary DC)
Installation	DIN-rail/Desktop/Wall mounted
Material	Metal shell
Switch Property	
Forwarding Modes	Store and Forward
Switching Capacity	26Gbps / non-blocking
Packet Forwarding Rate	19.344Mpps
MAC Table	16k, support auto learning
Port Buffer	2MB
Jumbo Frame	9kB
Power Supply	
PoE Standard	IEEE 802.3af/at/bt
PoE Power Supply Type	End-span
PoE Pin Assignment	1/2(+),3/6(-) or 3/6/4/5(+), 1/2/7/8(-)
PoE Budget	Mode1: 45W max for each portMode2: 90W maxfor port 1, disabled PoE function for port 2, 45W maxfor ports 3 to 8 each.240W@48V, 120W@24V, 60W@12V max for whole switch (Including auxiliary DC output)
Reliability	
ESD	IEC61000-4-2, Level 3: Contact Discharge: ±6kV, Air Discharge: ±8kV
Surge Protection	IEC61000-4-5, Data Port: ±6kV
Operating	-40°C ~75°C, 5%~95% (Non-condensation)
Storage	-40°C ~85°C, 5%~95% (Non-condensation)
Certifications	
Certifications	CE, FCC

Specification

System State	
System Status	<ul style="list-style-type: none"> • Device Name • MAC Address • Firmware Version • Hardware Version • System Time • Update Time
Traffic Statistics	<ul style="list-style-type: none"> • Port No • Sent Frame Statistics • Received Frame Statistics
MAC Address Table	<ul style="list-style-type: none"> • Sort Type • MAC Address • VLAN ID • Port • Address Type
Port Configuration	
Port Setting	<ul style="list-style-type: none"> • Port State • Port Speed • Duplex Mode • Flow Control • Port Range
Rate Limit	<ul style="list-style-type: none"> • Enable and Disable • Port Range • Input Speed Limit • Output Speed Limit
Storm Control	<ul style="list-style-type: none"> • Port Range • Broadcast Storm • Multicast Storm • Unknown Unicast Storm
Port Isolation	<ul style="list-style-type: none"> • Port Range • Port Isolation
LLDP Configuration	<ul style="list-style-type: none"> • Enable and Disable • Holdtime • Interval Time • Admin Status • Port Range
LLDP Neighbors	<ul style="list-style-type: none"> • Total entries displayed • Device • Mac Address • IPv4 Address • Local-port • Holdtime • Port-ID • Capability
Mac Limit	<ul style="list-style-type: none"> • Enable and Disable • Port Range • Mac Limit Num
PoE Setting	<ul style="list-style-type: none"> • Power setting • Power status • Port status and control • PoE restart &working schedule

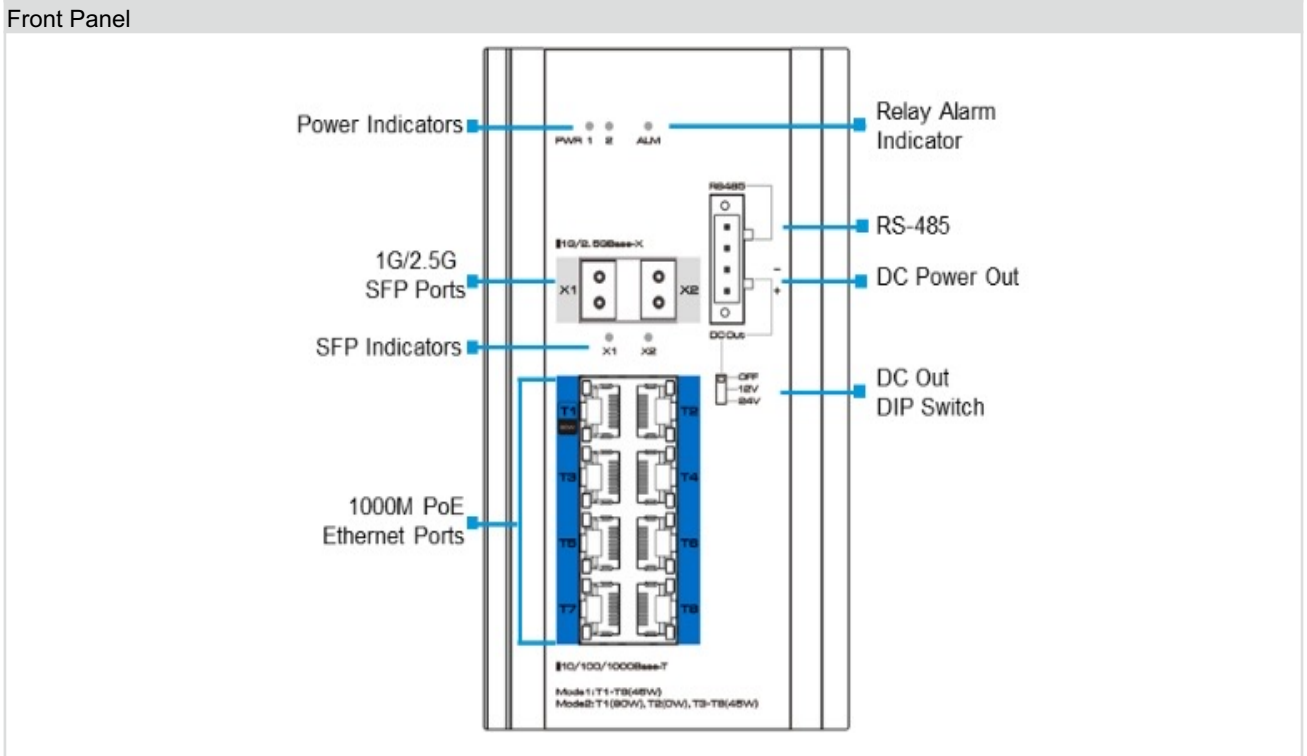
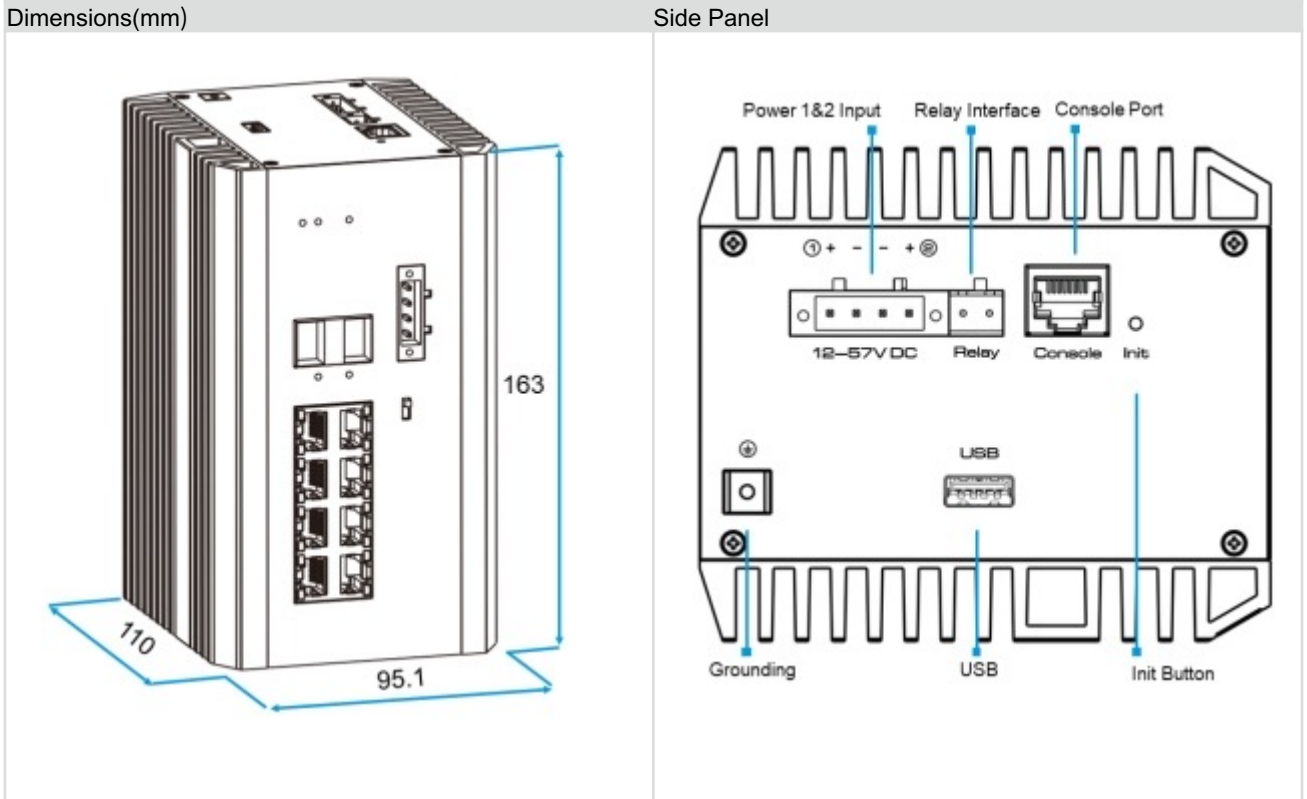
Ethernet Switch	
Link Aggregation	<ul style="list-style-type: none"> • Aggregated Load Pattern • Trunk Name • Aggregation Pattern • Port Range
802.1Q VLAN	<ul style="list-style-type: none"> • Port Range • Link Type • PVID • VLAN-allowed • VLAN-untagged
802.1p QoS	<ul style="list-style-type: none"> • Enable and Disable • QoS Scheduling • Priority
DSCP QoS	<ul style="list-style-type: none"> • Enable and Disable • DSCP Mark Range • DSCP Priority
WRR Configuration	<ul style="list-style-type: none"> • bandwidth weights
IP Service	
DHCP Server	<ul style="list-style-type: none"> • Enable and Disable • Client Lease Time • DNS Address • WINS Server • Pool Name • Network Interface(VID) • Gateway/Subnet • Start IP Address • Max Client Number
IP Multicast	
IGMP Snooping	<ul style="list-style-type: none"> • IGMP Interception Setting • IGMP Query • Static multicast MAC address • VLAN ID • Port Range
Security Configuration	
802.1X Authentication	<ul style="list-style-type: none"> • Global Setting • Timing Update Authentication • Radius Server Setting • Server Port Setting • Port Setting • Port Range
Local Radius Setting	<ul style="list-style-type: none"> • User login • User password • Radius user settings
AAA	<ul style="list-style-type: none"> • Authentication login
Static Address Lock	<ul style="list-style-type: none"> • Enable and Disable • MAC Address • VLAN ID • Port
MAC Dynamic Aging	<ul style="list-style-type: none"> • Aging Time

Specification

Reliability	
Rapid spanning tree	• Enable and Disable
	• STP Version
	• Device Priority
	• Message Sending Period
	• Message Maximum Lifetime
	• Port State Transition Delay
	• This Bridge Update Message
MSTP Region Configuration	• Modify Configuration
	• Enable and Disable
	• Region name
	• Version
	• Hello Time
MSTP instance configuration	• Max. Age
	• Forward Delay
	• Max. Hops
	• Instance ID
MSTP Port Configuration	• Corresponding VLANs
	• Priority
	• Path Cost
	• Port Priority
	• Point-to-point
	• Admin Edge
	• Auto Edge
	• Restrict Role
	• Restrict TCN
	• BPDU Filter
	• BPDU Guard
MSTP instance information	• Root Guard
	• Port Range
	• Instance ID
Fast Ring Protect	• MSTP Bridge Information
	• MSTP instance information
	• Enable and Disable
Loopback Protect	• Fast Ring Network Group 1
	• Fast Ring Network Group 2
	• Enable and Disable
	• Protect Automatic Recovery
	• Disable Loop Port Time
ERPS Ring	• Port Range
	• Port Loop Detection
	• Ring Number
ERPS Instance	• East Interface
	• West Interface
	• Enable and Disable
	• Name
	• ID
	• Ring Number
	• Level
	• RAPS VLAN
	• Owner Interface
	• Subring Blocking
• Associated Instance	
Network Diagnosis	
ICMPv4	• Ping IPv4
ICMPv6	• Ping IPv6
Traceroute	• Destination IP

Alarm Management	
Alarm Host	• Enable and Disable
	• Alarm Type
	• Power Supply
	• Port Network
DMS	• Port PoE
	• Enable and Disable
Device List	• Type in List
Topology View	• Topology View
System Management	
Port Mirroring	• Enable and Disable
	• Monitor Port
	• Mirror Port Range
SNMP	• Collect Data
	• Enable and Disable
	• SNMP Gateway
	• SNMP Version
	• Read-only Group Name
Telnet	• Read and Write Group Name
	• SNMP V3 setting
HTTP	• Enable and Disable
Time	• HTTP and HTTPS
	• Time Setting
	• World Time Zone
	• NTP Server
	• System Time
Syslog	• PC Time
	• Enable and Disable
	• Show Type
Management	• Information Processing
	• Restore Factory Value
	• System Reboot
	• Download Configuration File
	• Upload Configuration File
User Setting	• Choose upgrade file
	• Access Privilege
	• Username
	• Input password
Timing Restart	• Confirm password
	• Password type
	• Every day
Manage IP Address	• Every week
	• Every month
	• Access
	• Manage VLAN
	• IP Addr
	• Subnet mask
	• Default gateway
• DNS address	
One Key Smart	• IPv6 address
	• IPv6 default gateway
	• CCTV Mode
	• Device Lock
	• Fast Ring
	• Device Online

Appearances and Dimensions



*Disclaimer: Design and specifications are subject to changes without prior notice.