

LINOVISION

POE-Extender02

User Manual

Updated on October 23, 2023

Introduction

PoE-Extender02 can not only extend ethernet and PoE power transmission distance, but also simplify cabling by running one cable to power two PoE devices, such as PoE IP camera, VoIP phone, door bell camera, etc.

Unique Features

- Support IEEE 802.3af/at standard to transmit PoE power for PoE devices;
- Cooperate with 60W PoE injector, POE Extender02 supports cascade deployment to connect 3 PoE or non-PoE devices from Cat5/6 cable, with a maximum transmission distance of 300 metres;
- Interface: 1*RJ45 10/100M port in, 2*RJ45 10/100M port out; CAMERA port and OUT port both transmit power and data for PoE devices, but data is transmitted only when connecting non-POE devices. OUT port is also used to cascade the next PoE extender;
- Indicator: device connection status / data link activity status indication;
- Working temperature: -30°C ~ 65°C;
- Installation mode: Wall mounting, DIN rail mounting;
- Plug-n-Play, no configuration or setup is required.

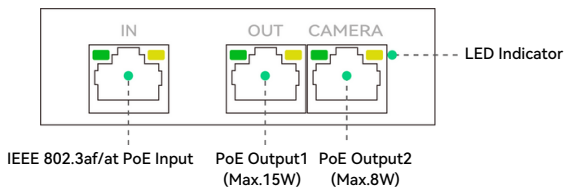
Package Contents



Typical Connection Diagram



Panel View



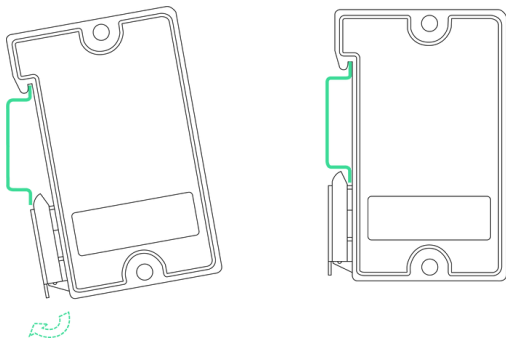
The Port Status LEDs

Interface Name	Note	LED Status
IN	1*10/100M RJ45 port, receive PoE power supply port	Green LED: Indicate Device Connection Status Yellow LED: Indicate Data Link Activity Status
OUT	1*10/100M RJ45 port, used to transmit PoE power and data for PoE device / data only for non-PoE device, or cascade to the next PoE Extender	Green LED: Indicate Device Connection Status Yellow LED: Indicate Data Link Activity Status
CAMERA	1*10/100M RJ45 port, used to transmit PoE power and data for PoE device and transmit data only for non-PoE device	Green LED: Indicate Device Connection Status Yellow LED: Indicate Data Link Activity Status

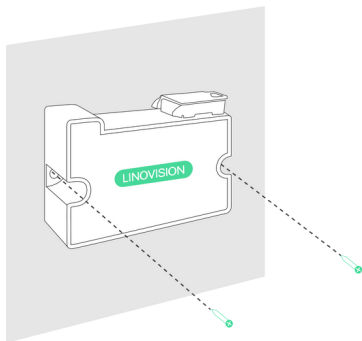
Technical Specification	
Model	POE-Extender02
Ethernet Port	1*10/100 Base-T PoE power receiving port.
	2*10/100 Base-T PoE power out port, CAMERA port and OUT port, both transmit power and data for PoE devices.
Transmission Distance	Extra 100m (330ft) PoE+Data transmission will be extended with one POE Extender02. And it supports cascade deployment, with a maximum transmission distance of 300m(1000ft).
PoE Input/Output Mode	Mode A, Mode B
PoE Input/Output Line Pair	1/2/4/5: + 3/6/7/8: -
Power Consumption	<=3W
Application Humidity	10%~90%
Working Temperature	-30°C to 65°C (-22°F to 149°F)
Weight	57g (0.126lbs)
Dimension (W*D*H)	79mm*52mm*23mm (3.1" * 2.0" * 0.9")

Installation

PoE Extender supports Wall Mounting and DIN Rail Mounting. The installation shows below.

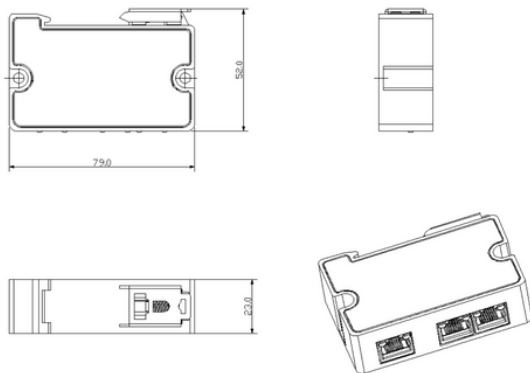


DIN Rail Mounting



Wall Mounting

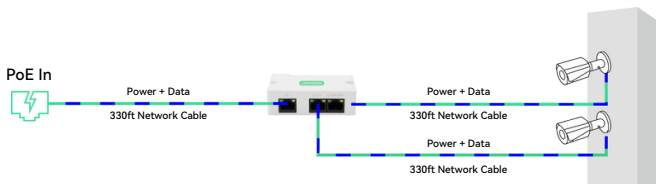
Device Dimension



Application

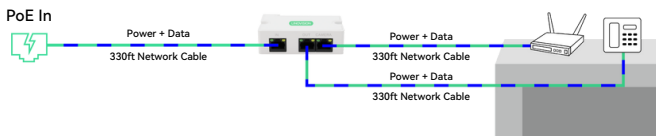
1 PoE Extend & Split to Two PoE Cameras

Just run one network cable to connect two IP cameras, or add extra IP Camera without wiring new cables.



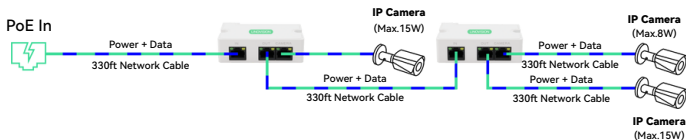
2 PoE Extend & Split to Two Network Devices

It is very useful in an office building or hotel rooms to extend the transmission distance, and it is much easier to hook up new devices (PoE or non-PoE) without wiring a new cable.



3 Cascade Deployment

It supports 2 or 3 levels of cascade deployment to connect multiple PoE or network devices from one PoE cable. (60W PoE+ Injector is strongly recommended in cascade deployment, with a second PoE extender connected to the OUT port.)



FAQ Related

1 What is the load capacity of PoE device that connected to this PoE extender?

Basically, the load capability depends on the PoE supply device, the total power consumption of two PoE output is less than the PoE power input. We recommend to use 60W High PoE injector to connect to the PoE extender.

2 Why the extender is unable to work?

The main reason is that the load capacity of two PoE outputs exceeds the power input of PoE Extender. In this way, please try to use 60W high PoE injector or mid-span to fix this issue.

3 Can this be used as an ethernet splitter to connect non-PoE devices?

Yes, Our PoE Extender supports connecting PoE devices and non-PoE devices. When connecting non-PoE devices, only data is transmitted, the non-PoE devices need to be powered separately.

4 Does this extender need an addition power supply?

No, it does not require local power supply. This PoE extender is powered by PoE devices (48V or 53V PoE Switch/PoE NVR/PoE Injector/Mid-span).

5 Do I need two of these to extend cat6 for 600 feet?

Yes, the PoE extender supports cascade deployment, max 300m (1000ft) transmission and running one cable to support 3 IP devices, but 60W PoE injector is required and IP camera power consumption should be less than 8W.

6 Can this be used for 2 computers instead of 2 cameras? And what are the speeds of this device?

Yes, this can be used for 2 computers and the maxim speed of the input port is 100M. Please be informed that the total speeds of two output port can't exceed the speed of the input port. And the speed will be influenced by the transmission distance, the longer distance it is, the slower speed it provides.

7 What is the safe operating temperature range for this device?

The operating temperature for this product is -30°C to 65°C (-22 °F to 149 °F).

Contacts

For assistance, please contact linovision technical support:
Email: support@linovision.com