

LINOVISION

IOT-S300WS8

User Manual

Updated on March 13,2024

8-in-1 Weather Station User Guide (V2)



Tables of Contents

1 Product Introduction	4
2 Installation	5
2.1 Packing List	5
2.2 Installation	6
2.2.1 Device Interface Introduction	6
2.2.2 Connect with USB Cable	7
2.2.3 M12 Cable.....	8
2.2.4 Install the device.	10
3 Device's Operating Mode	11
3.1 Configure the device via USB port	12
3.2 Serial debug tool	13
4 Communication Protocols	14
4.1 Modbus-RTU Protocol	15
4.1.1 Modbus-RTU Protocol Message Format.....	15
4.1.2 Register Address Definition	16
4.1.3 Modbus-RTU Read	17
4.2 ASCII Protocol.....	22
4.2.1 Command definition	22
4.2.2 Query Command Format	22
4.2.3 Setting Command Format	23
4.2.4 Command List	23
4.3 SDI-12.....	31
4.3.1 SDI-12 command and response	31
4.3.2 SDI-12 Read	33
5 Error code	38
5.1 Modbus error code	38

5.2 ASCII error code38

5.3 SDI-12 error code38

1 Product Introduction

RS485 Modbus 8-in-1 Weather Station for temperature, humidity, pressure, wind speed, wind direction, noise, PM2.5, PM10. The equipment is designed with industry standards and can work stably in harsh outdoor environments from -40°C to 85°C. The product supports the Modbus-RTU (RS485) and SDI-12 protocols.

Basic parameters	
Product Model	All-in-One Weather Station Series
Power Supply	12V~ 24V (0.42W)
Heating Power Supply	24V (21W)
Support Protocols	RS485 (MODBUS-RTU) / SDI-12
IP Rating	IP66
Working Temperature	-40°C~+85°C
Working Humidity	0 to 100%RH (non-condensing)

Product Model: IOT-S300WS8 (8-in-1)			
Measurement Parameter	Measurement Range	Measurement Accuracy	Resolution
Air temperature	-40~85°C	±0.1°C	0.01°C
Air humidity	0~100%RH	±1.5%RH	0.01%RH
Barometric pressure	300~1250hPa	±50Pa	10 Pa
Wind speed	0~60 m/s standard range 0~75m/s extended range Up to 80m/s withstand range	±0.3m/s(≤10m/s); ±3% (10m/s ~ 50m/s) ±5% (>50m/s)	0.1m/s
Direction of the wind	0~360° (@-40°C~60°C)	±3.0°	0.1°
Noise intensity	35~100dB	±1.5dB	0.1dB
PM2.5	0~1000µg/m3	±10%@100~1000µg/m3 ±10µg/m3@0~100µg/m3	1µg/m3
PM10	0~1000µg/m3	±15%@100~1000µg/m3 ±15µg/m3@0~100µg/m3	1µg/m3

2 Installation

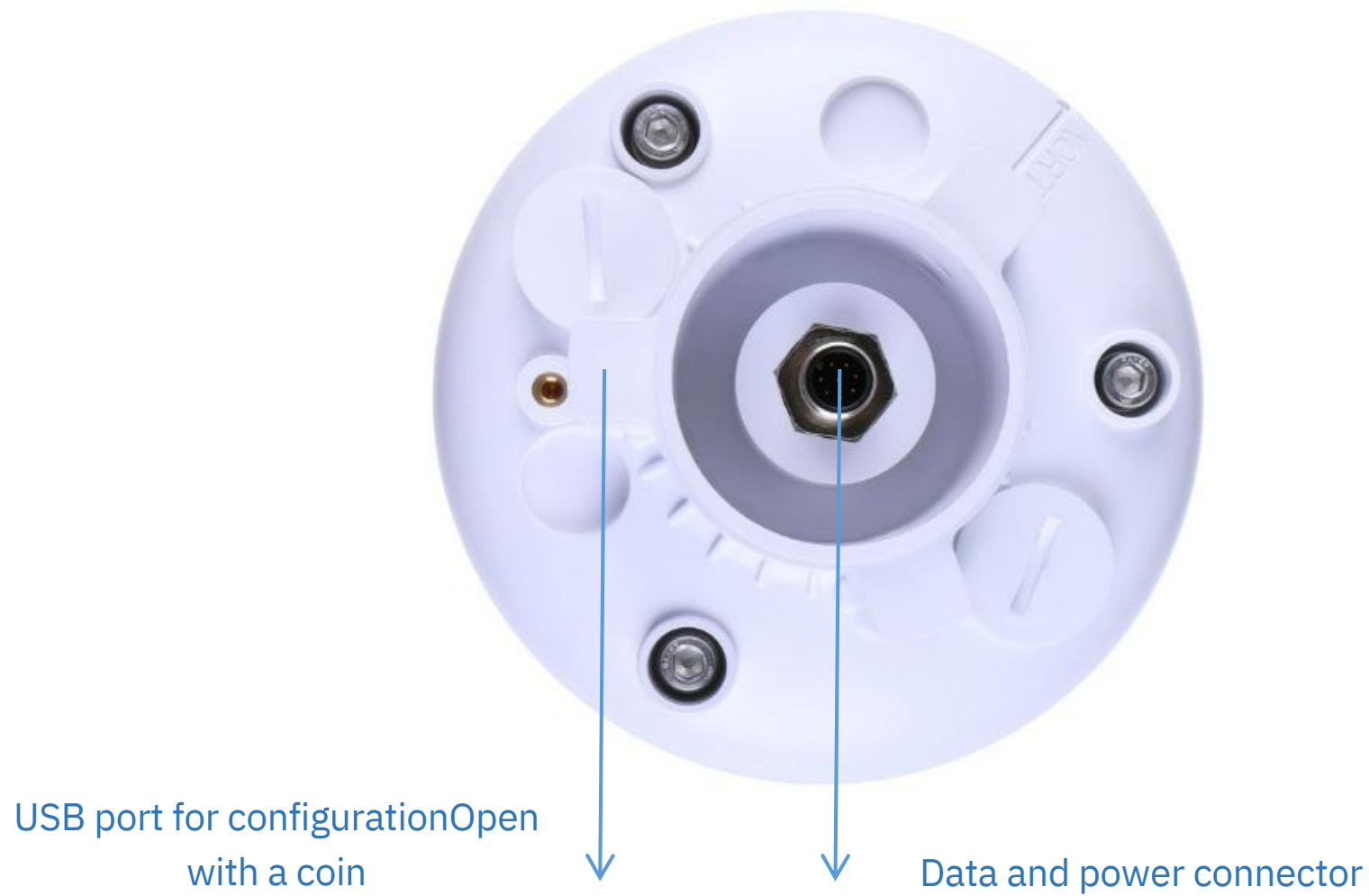
Before the installation, check the packing list and make sure there are no missing parts.

2.1 Packing List

	Parts	Unit
•	Linovision ONE All-in-one compact weather sensor	1
•	M12 8-pin communication cable (default length 3-meter hook-up wire, and there is a waterproof aviation connector type to choose when working with Linovision SensorHub datalogger. If the aviation connector is not needed, cut it off by yourself)	1
•	USB Type-C cable, for configuring devices	1
•	Pole adapter cross bar	1

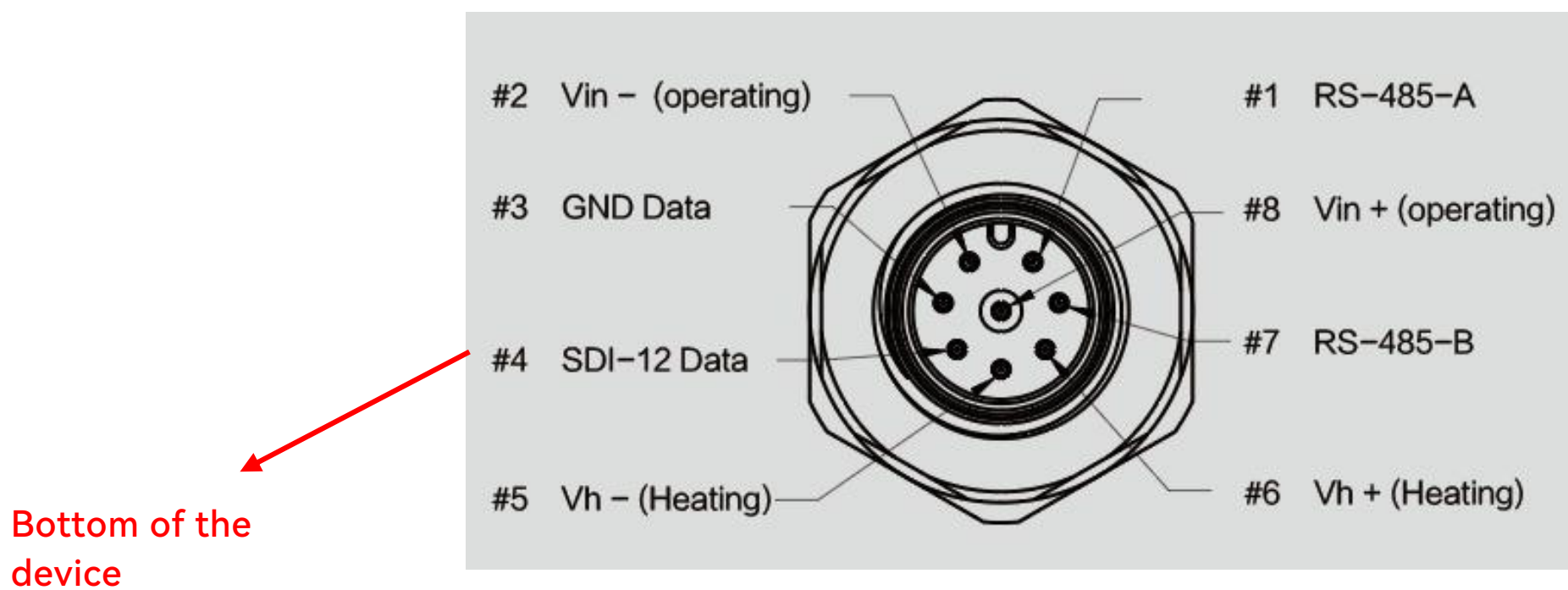
2.2 Installation

2.2.1 Device Interface Introduction



There are two connectors at the bottom of the device.

- USB Type-C interface allows you to connect your computer with a normal USB Type-C cable to the device for configuration.
- The main data interface can be connected to the M128-pin cable, supporting multiple bus protocols

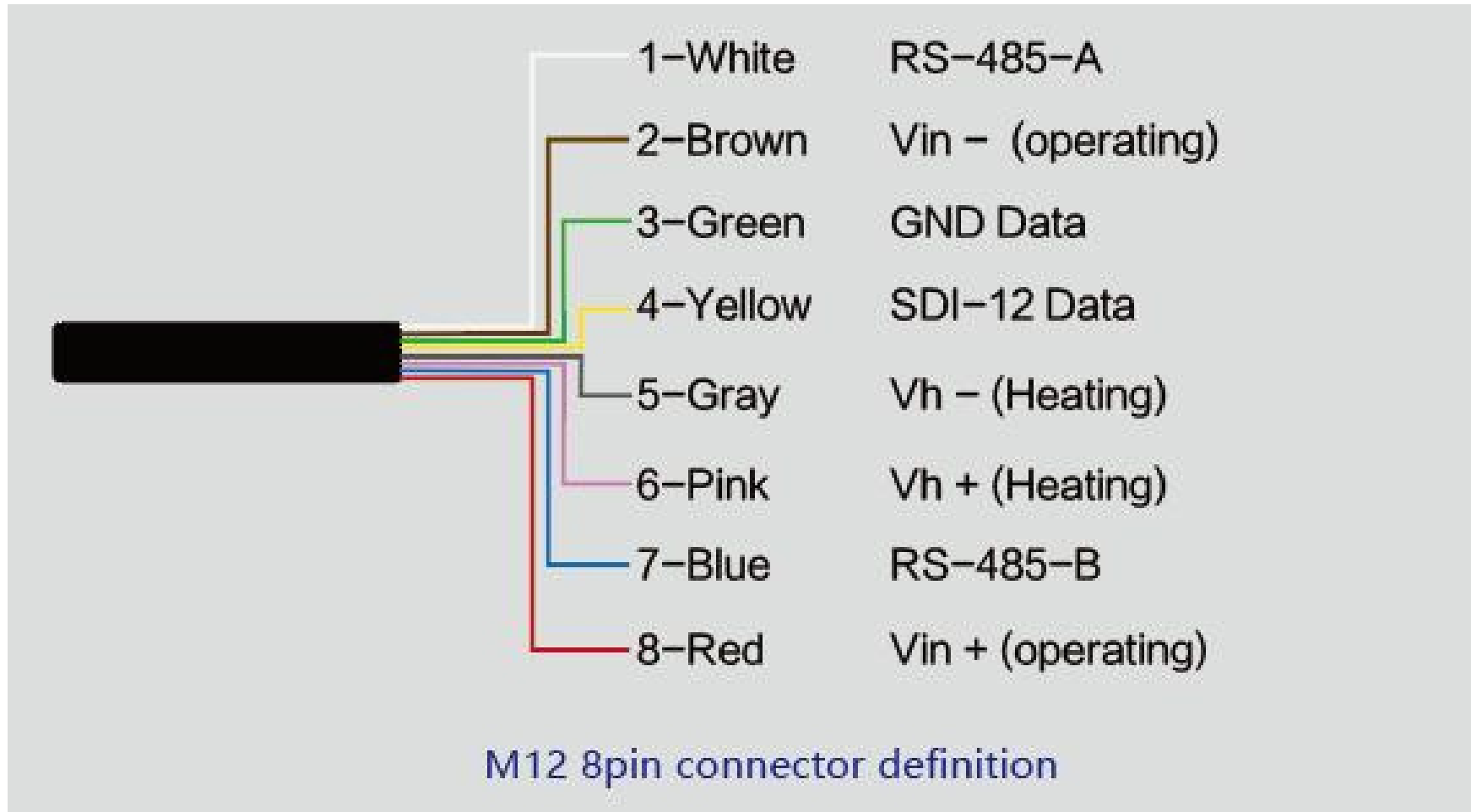


2.2.2 ConnectwithUSBCable



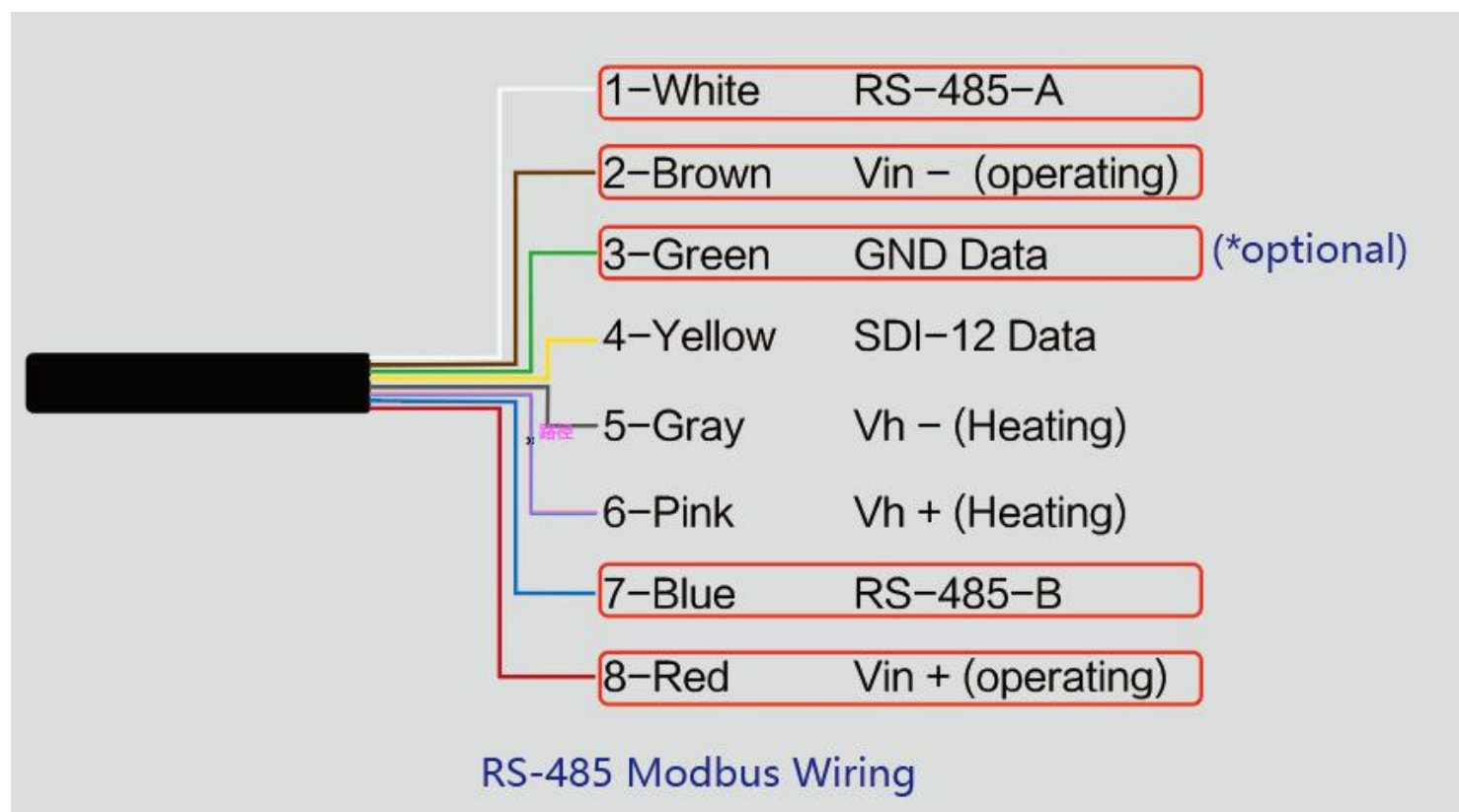
Note: The white cover (on the side near the label) should be tightened after debugging to prevent water from entering the device!

2.2.3 M12Cable



The device adopts an M12 8-pin connector, the different colored pins provide power and data communication (as shown in the above diagram).

When working with the RS-485, you can connect only 4 wires (not using a heating function), and the rest can be individually wrapped with tape to prevent short circuit



The holes of the cable and the pins of the device connector must be aligned when the cable is plugged in.

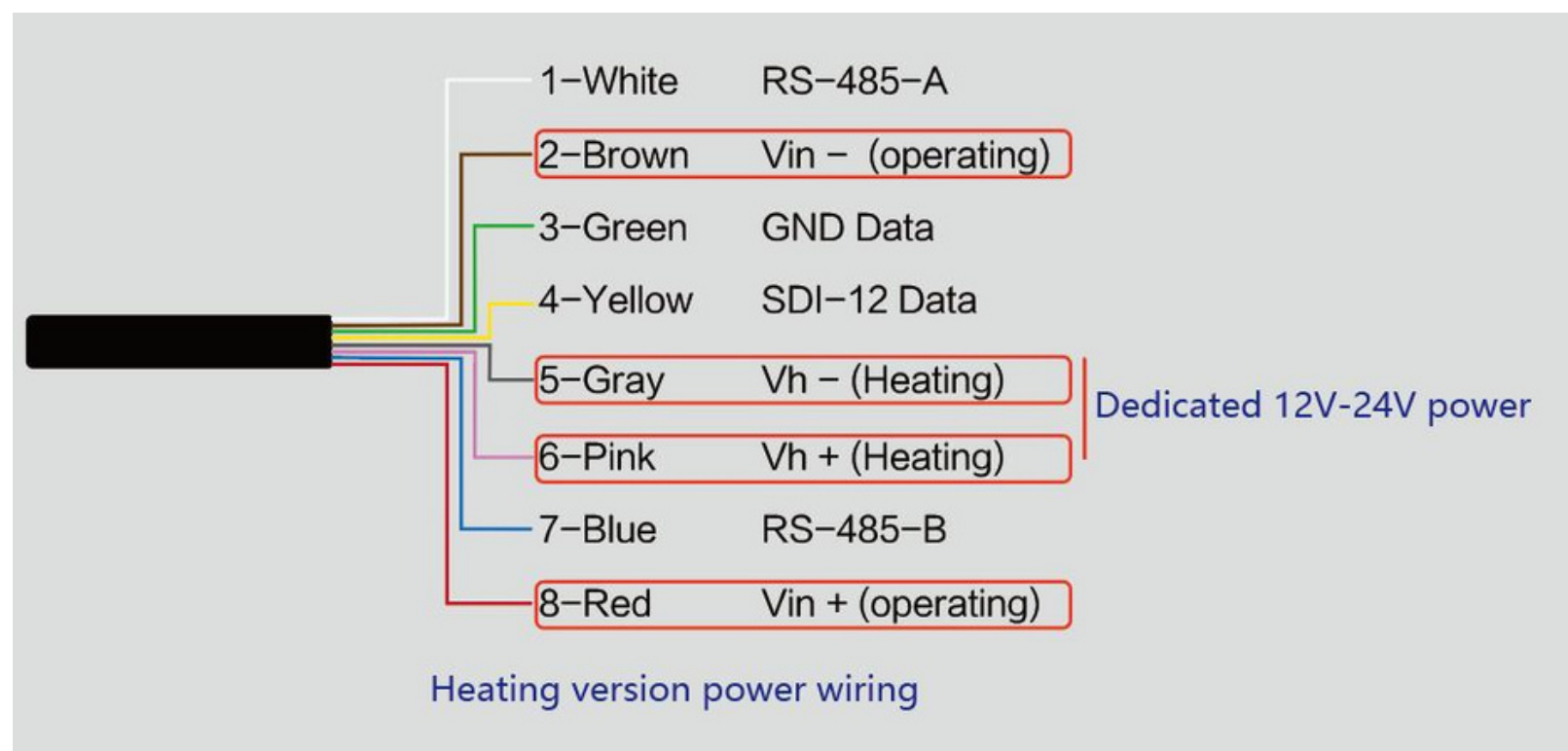


Plugin the cable and tighten it clockwise

Note: the cable is aimed at with the bottom before inserting it into the bottom. Otherwise, the pins are skewed may cause the communication is abnormal.



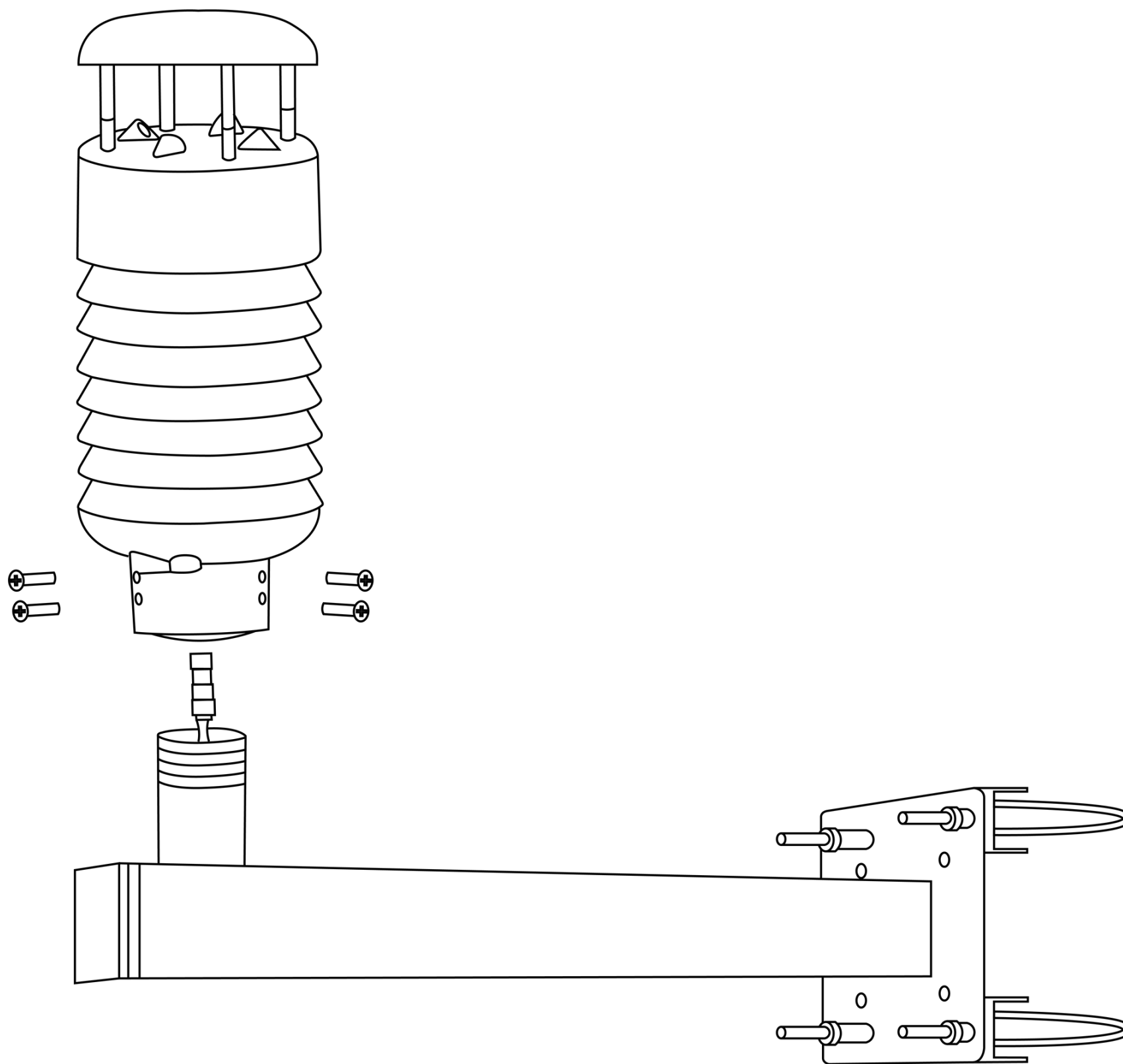
When using the device with a heating function, a separate 24V (24V@1A is recommended) power supply is required. Gray wire #5 is connected to the negative of the power supply, and pink wire #6 is connected to the positive pole of the power supply.



Reminding:

1. When the device needs to add power extension cable, if its length is more than 100 meters, it needs to use 24V/2A for power supply (without heating function);
2. When the heating function is enabled, the power supply of the heating module should be within 3 meters of the SenseCAP ONE. **The distance between the power supply of the heating module and the device is not more than 5m. Please use the 3m / 5m conversion cables sold by our company.**

2.2.4 Install the device.



3 Device's Operating Mode

After installation, you can power on the device, configure it and collect data from the device.

The device has two operating modes, configuration mode, and working mode.

Configuration Mode	With a USB cable, you can check or configure the device's parameters, such as device name, version number, and communication protocol configuration. Product firmware can be upgraded in this mode.
Working Mode	Connect the devices and data logger with an M12 data and power cable, and then the data collected by the device will be sent to the host via different communication protocols.

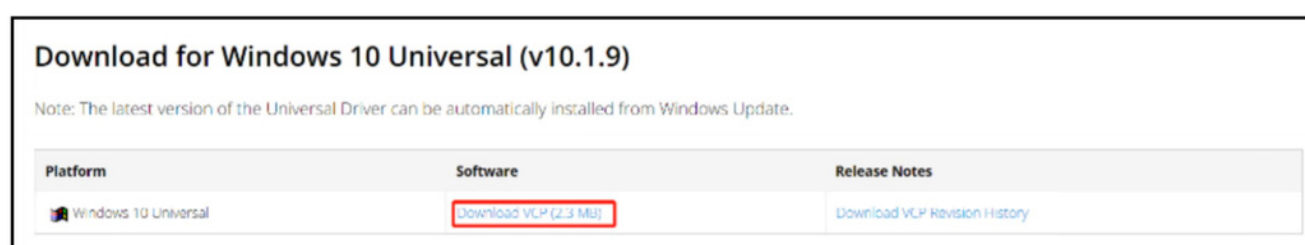
3.1 Configure the device via USB port

There is a waterproof round cover at the bottom of the device. Turn it counterclockwise to remove this cover, and you can see a USB Type-C connector and a configuration button.

Connect the device to your computer with a USB Type-C cable. The computer will automatically install the device driver. After the driver is successfully installed, you can see a serial port in the device's manager.



If the driver is not installed automatically, click this link to [manually download](#) and [install](#) the [driver](#). (The version is CP210x Windows Drivers)



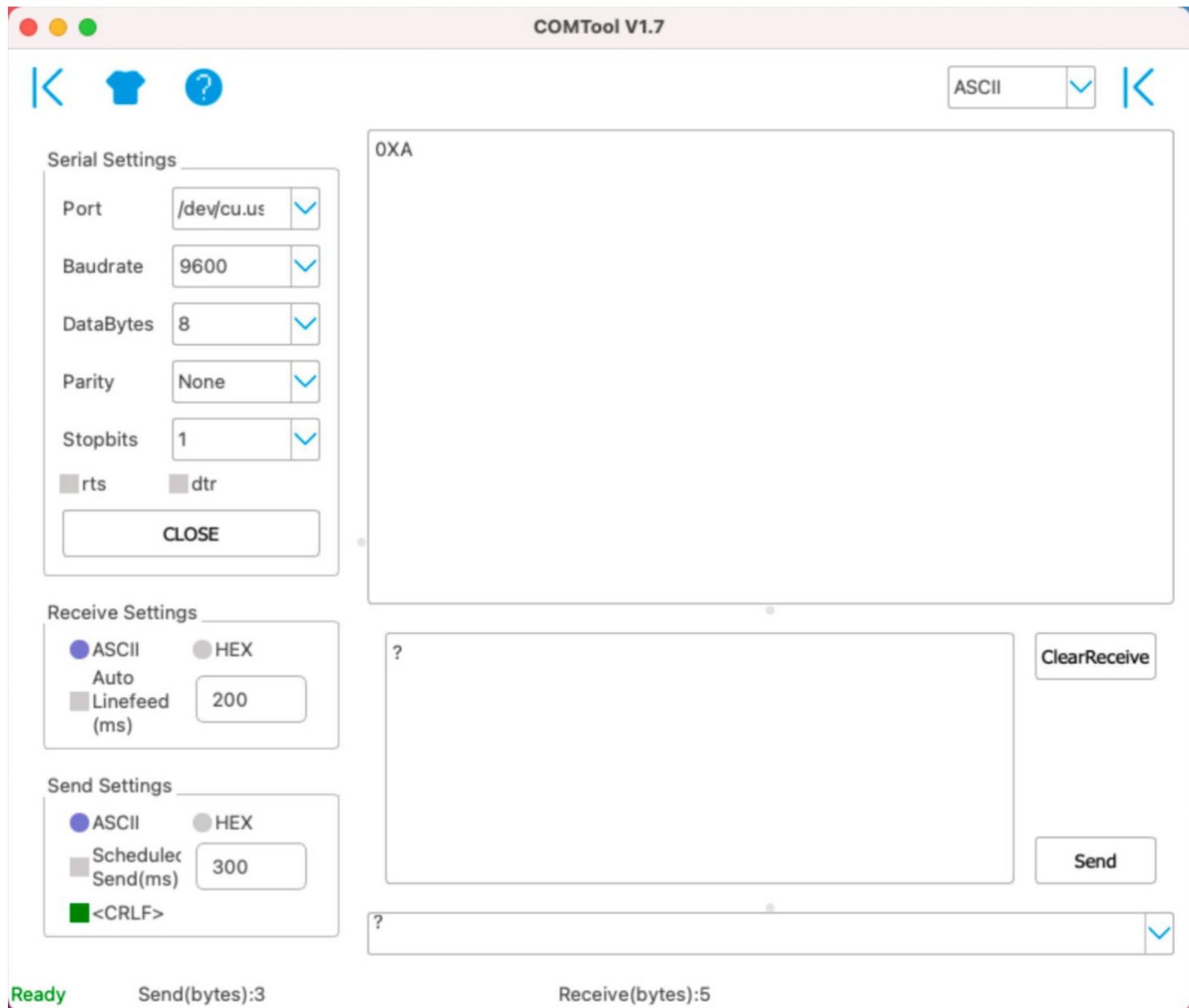
There are two methods to configure the device:

- SenseCAP ONE Configuration Tool
- Serial debug tool

3.2 Serial debug tool

The communication settings are as follows:

Select the serial port	You can find port information in your computer's device manager
Baud rate	9600bps, 8 data bits, 1 stop bits, none parity, none flow control.



- In the Serial Debug Assistant, select the corresponding COM port.
- Check the "click Enter to start a new line" check box.
- Set the baud rate to 9,600.
- Send ? in the send area.
- If you receive the corresponding OXA message in the serial receive window, the configuration is successful. If not, please check the COM port and the baud rate.

Please check the detailed ASIIC command in the next chapter.

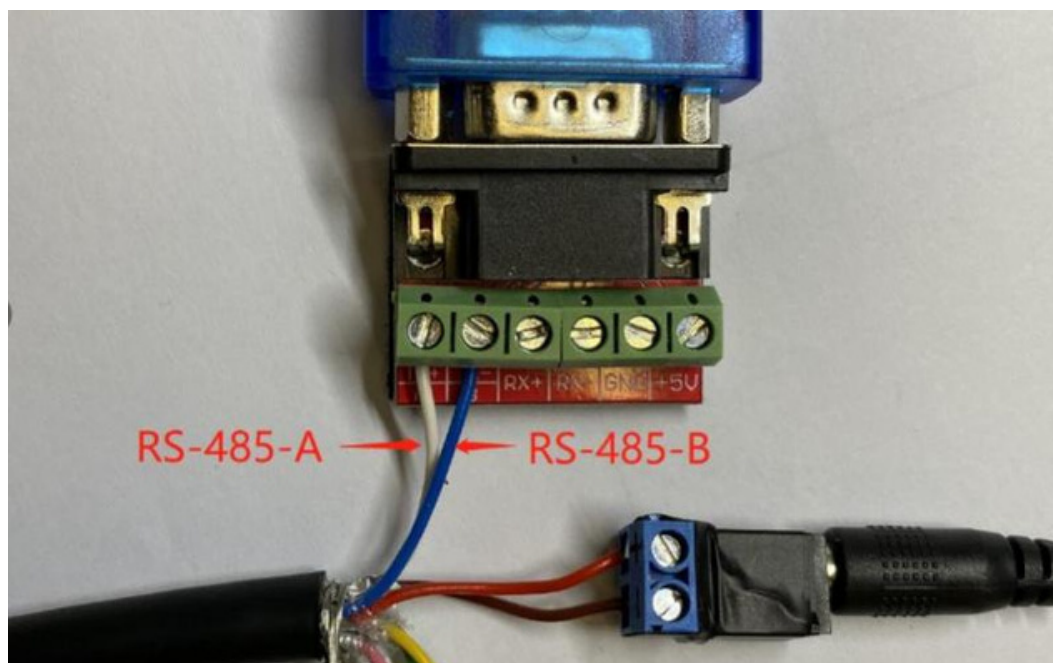
4 Communication Protocols

The device supports the following communication protocols:

Modbus-RTU	<p>The Modbus protocol is a common language applied to electronic devices. With this protocol, devices can communicate within their network. It has become a universal industry standard, widely used in data loggers, sensor equipment, and so on. Based on this protocol, devices produced by different vendors can communicate with each other for system integration.</p> <p>The Modbus protocol is a master-slave protocol. One node is the host, and the other nodes that use the Modbus protocol to join the communication are the slave. Each slave has a unique address.</p>
ASCII	<p>The ASCII protocol is a query-response or a question-and-answer communication protocol in which a host PC uses ASCII characters to send commands to a device and then receives responses from that device.</p>
SDI-12	<p>Single-bus-based data communication protocol , is an asynchronous serial communications protocol for intelligent sensors that monitor environment data.</p>

4.1 Modbus-RTU Protocol

To start Modbus-RTU communication, the M12 data cable of the device needs to be connected to the RS-485 port of one Data Logger, which powers up the device at a voltage of 12V-24V. The following image is a diagram of the wiring:



Protocol communication parameters

Data	One start bit, 8 Data bits, None parity, one Stop bits.		
Format	9600bps (default), which can be modified by configuration.		
Baud Rate	S1000	43(CO2 series)	
Default Device Address (Decimal)	S800	46	
	S700	20	
	S500	10	
	S200	44	

4.1.1 Modbus-RTU Protocol Message Format

Sensor data is stored in the Input Register and is read-only

The device address and the communication baud rate of RS-485 are stored in the Holding Register and can be modified.

Each register is 16bits and takes up 2 bytes.

Read the message from the input register.

The message format from by the host				
Slave address	Function code	Register address	Number of registers	CRC check
1 byte	1 byte	2 bytes (big-endian).	2 Byte (big-endian).	2 bytes
AA	0x04	RRRR	NNNN	CCCC
Address 0-247	0x04	big endian	big endian	little endian

The message response from the slave						
Slave address	Function code	Number of registers	First Register data	Second register data	...	CRC check
1 byte	1 byte	1 byte	2 bytes	2 bytes	...	2 bytes

AA	0x04	MM	VV0	VV1	...	CCCC
Address 0-247	0x04	big endian	big endian	big endian	...	little-endian

Read and write the holding register.

The message format from by the host				
Slave address	Function code	Register address	Number of registers	CRC check
1 byte	1 byte	2 bytes (big-endian).	2 Byte big-endian).	2 bytes
AA	0x03/0x06	RRRR	NNNN	CCCC
Address 0-247	0x03/06	big endian	big endian	little endian

The message response from the slave						
Slave address	Function code	Number of registers	First Register data	Second register data	...	CRC check
1 byte	1 byte	1 byte	2 bytes	2 bytes	...	2 bytes
AA	0x03/0x06	MM	VV0	VV1	...	CCCC
Address 0-247	0x03/0x06	big endian	big endian	big endian	...	little-endian

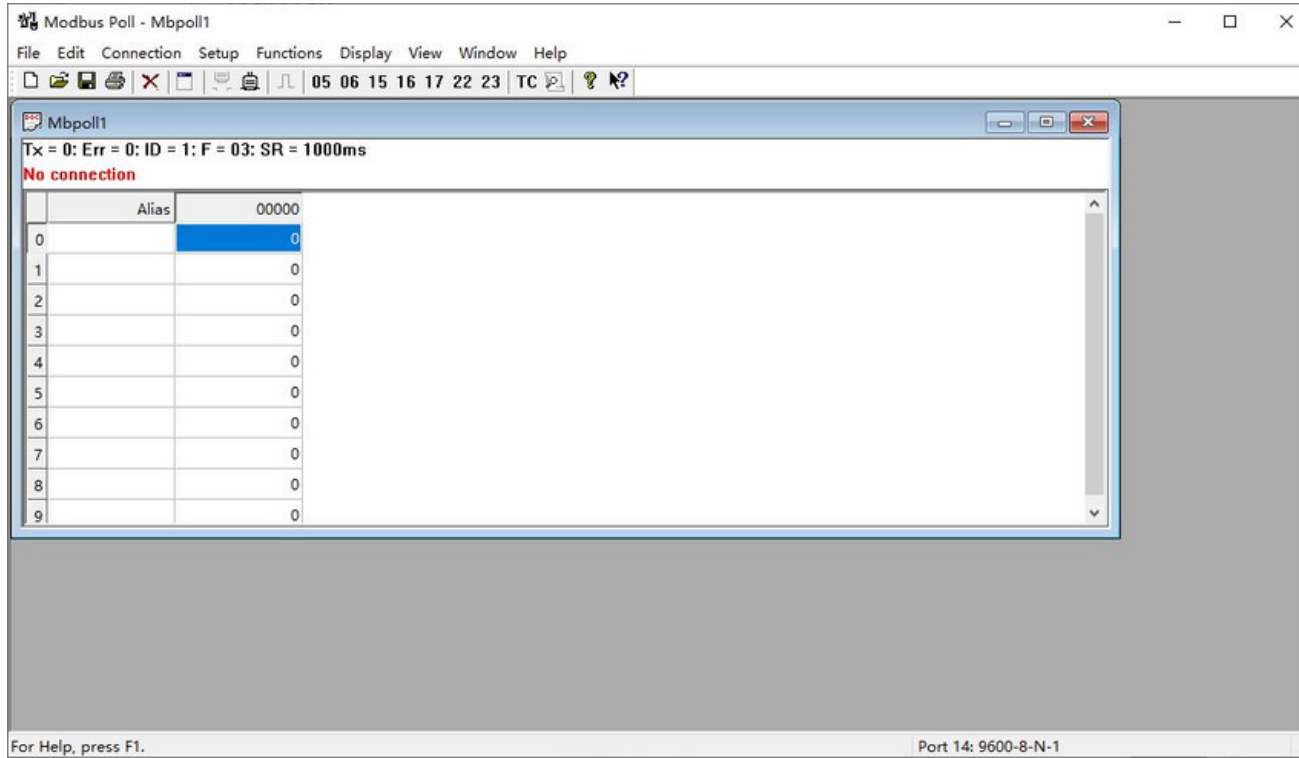
4.1.2 RegisterAddressDefinition

Register type	Address	Name	values range	Number of registers	Register status	Note
Input register	0x0000	Air temperature	-40000~8500	2	R	big endian Data format int32 Divide the data value by 1000 to get the true measurements
	0x0002	Air humidity	0 0~100000	2	R	
	0x0004	barometric pressure	30000000~125000000	2	R	
	0x0006	Light intensity	0~188000000	2	R	
	0x0008	Minimum wind direction	0~360000	2	R	
	0x000A	Maximum wind direction	0~360000	2	R	
	0x000C	Average wind direction	0~360000	2	R	
	0x000E	Minimum wind speed	0~60000	2	R	
	0x0010	Maximum wind speed	0~60000	2	R	
	0x0012	Average wind speed	0~60000	2	R	
	0x0014	Accumulated rainfall	0~80000000	2	R	
	0x0016	Accumulated rainfall duration	0~2000000000	2	R	
	0x0018	Rain intensity	0-200000	2	R	
	0x001A	Maximum rainfall	0-60000	2	R	

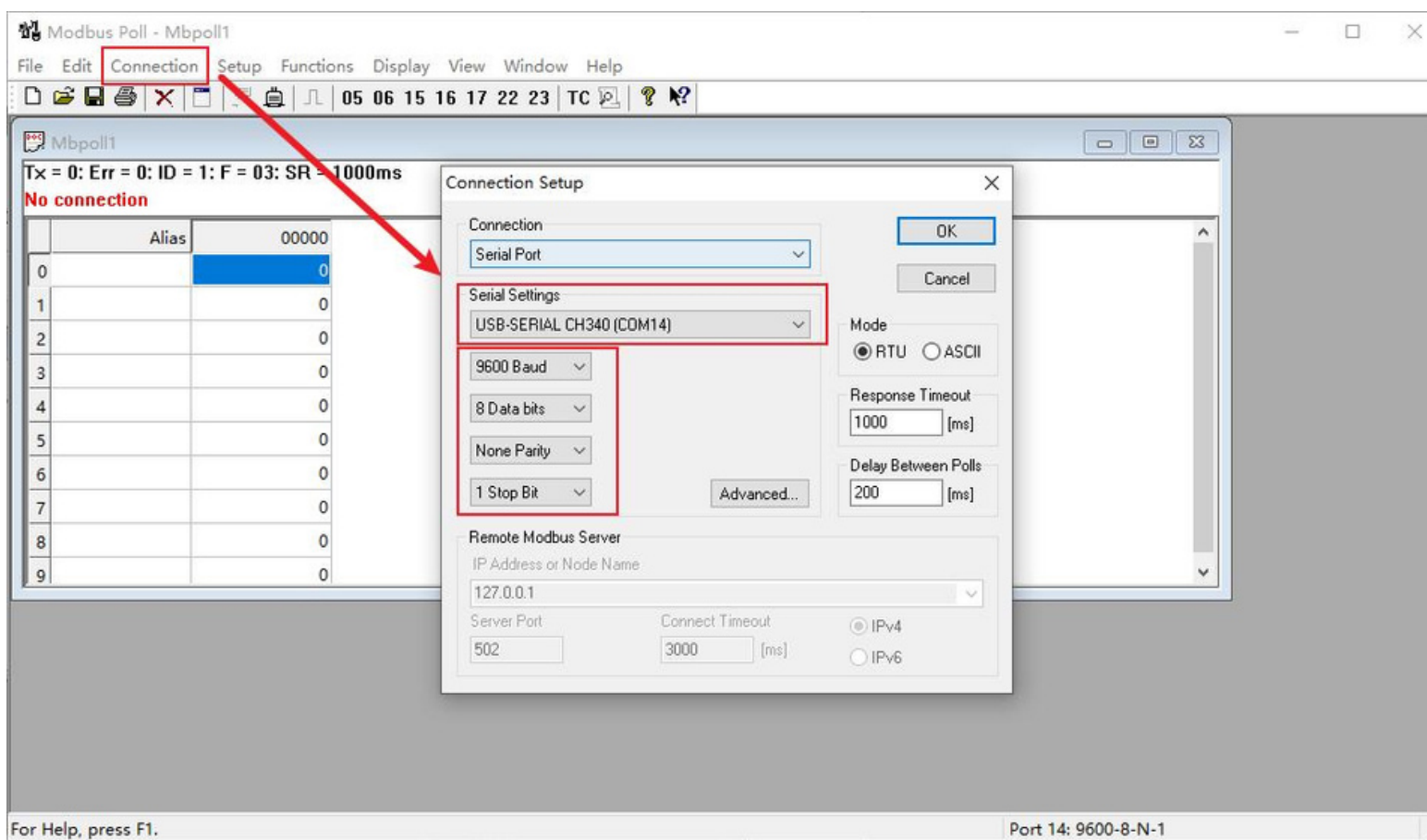
		intensity				
	0x001C	Heating Temperature	-40000~85000	2	R	
	0x001E	The dumping of state	0 or 1000((The dumping of state is 1000,the vertical of state is 0)	2	R	
	0x0030	PM2.5	0~1000000	2	R	
	0x0032	PM10	0~1000000	2	R	
	0x0040	CO2	0-10000	2	R	
	0x0048	Noise intensity	35000~100000	2	R	
Holding register	0x1000	Device address		1	R/W	The default address is 1 Can be set to 1 - 247
	0x1001	Baud rate		1	R/W	The default is 96, which means 9600. It can be set to: 12=1200 24=2400 48=4800 96=9600 192=19200 384=38400 576=57600 1152=115200
	0x2000	Set the accumulated rainfall to 0		1	R/W	Write 1 to set accumulated rainfall to 0. Read back 1 to confirm that the setting is finished. Read back 0 indicates that the setting failed
	0x2001	Set the accumulated rainfall duration to 0		1	R/W	Write 1 to set accumulated rainfall duration to 0. Read back 1 to confirm that the setting is finished. Read back 0 indicates that the setting failed

4.1.3 Modbus-RTURead

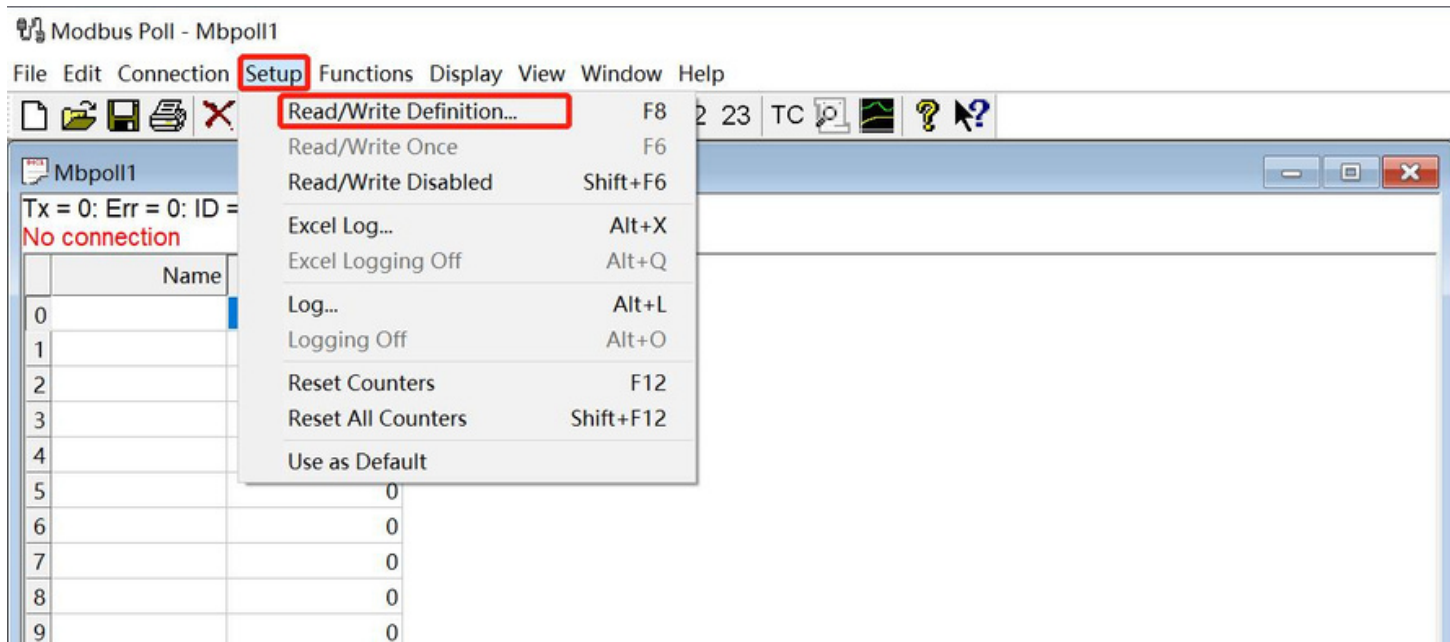
Here is an example of the Modbus Poll tool
(download from <https://www.modbustools.com/download.html>).



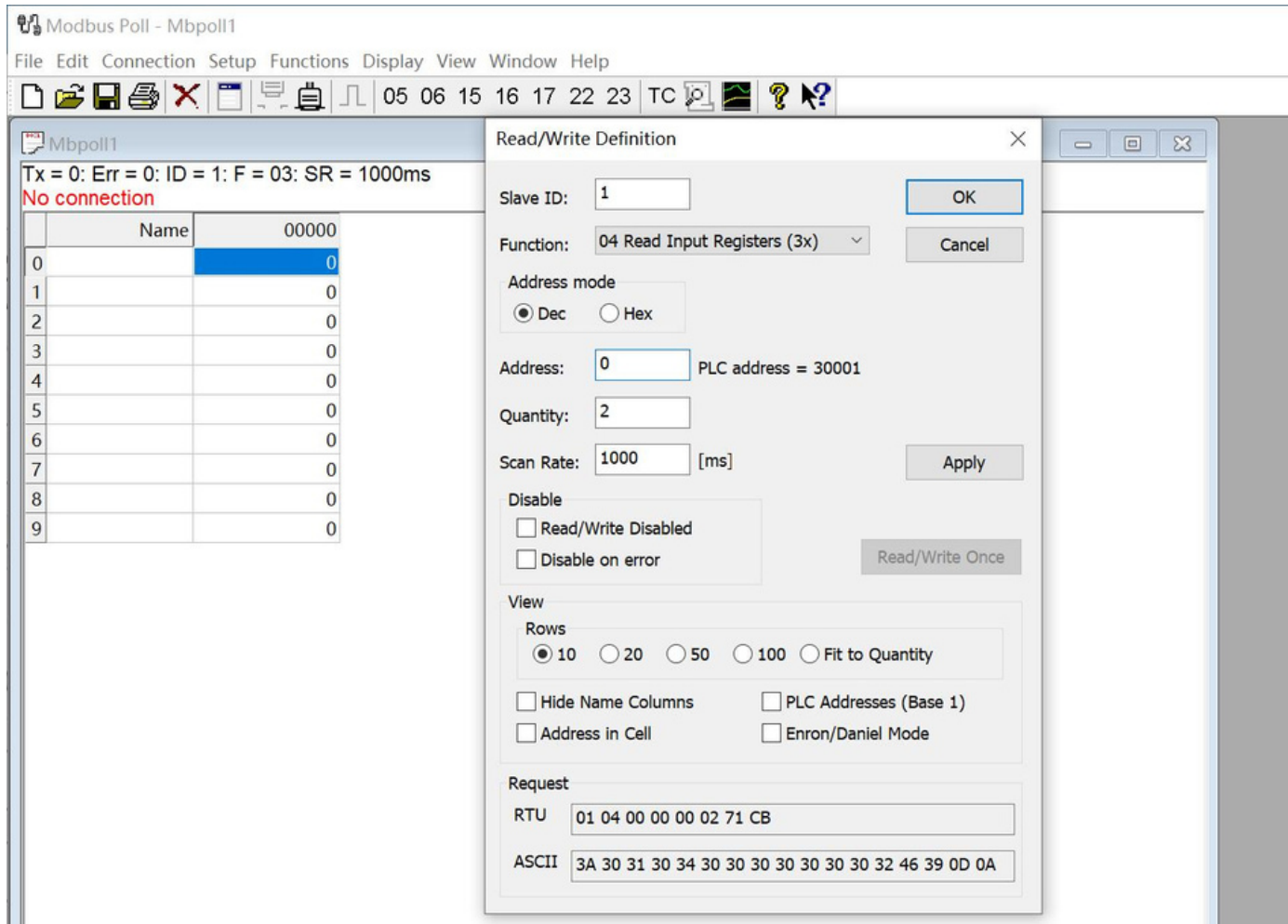
Configuration connection parameters: Baud rate 9600bps, 8 Data bits, None Parity, 1 Stop bits.



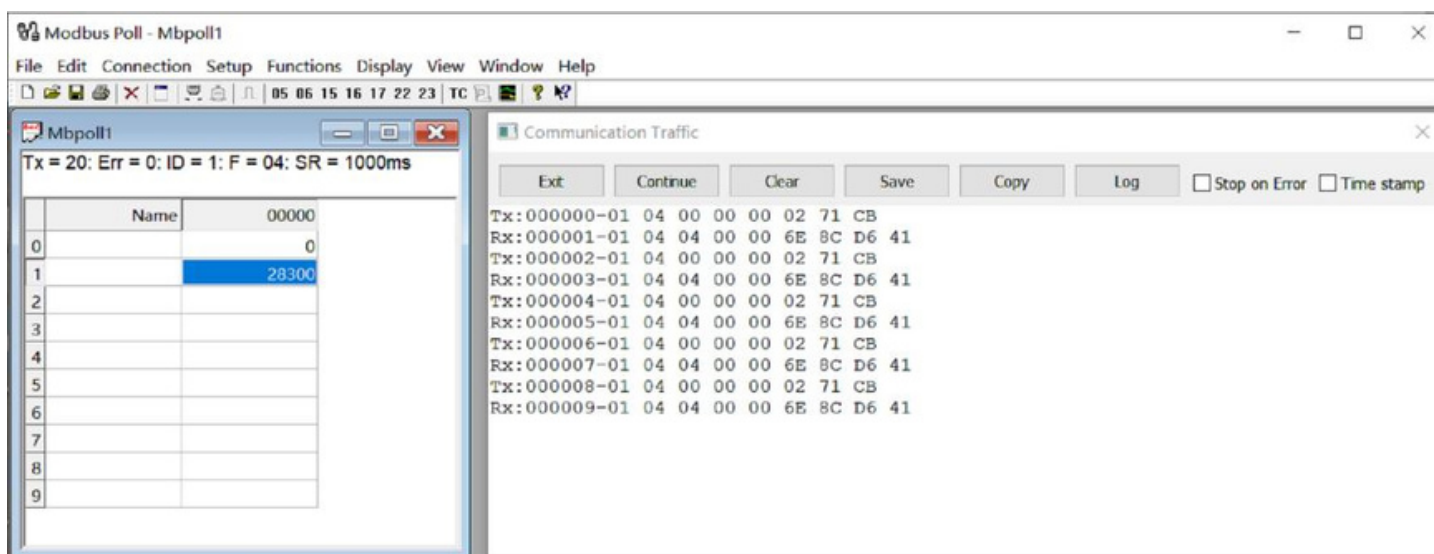
Read the air temperature register 0x0000 to 0x0001, click Setup, and select Read/Write Definition



Set the default slave ID(2-in-1 is 44,5-in-1 is 10, 7-in-1 is 20), function code 04, starting address 0, quantity (2-in-1 is 12, 5-in-1 is 6, 7-in-1 is 28);



Now the computer reads the sensor data every 1 second, and the measurement (line 0 and line 1) is shown in below picture, after dividing the measurement by 1000, it is the true temperature value, $28300/1000 = 28.3\text{ }^{\circ}\text{C}$



On the right, you can check the raw sent and received data packages.

When the temperature is positive:

1. Host sends 01 04 00 00 00 02 71 CB
2. Slave responses 01 04 04 00 00 6E 8C D6 41
3. Return temperature data 0x00006E8C (Hex), converted to decimal = 28300, get the corresponding air temperature by dividing through 1000, air temperature = $28300/1000 = 28.3\text{ }^{\circ}\text{C}$

When the temperature is negative:

The temperature needs to be obtained through a complement calculation.

1. Host sends 01 04 00 00 00 02 71 CB
2. Slave responses 01 04 04 FF FF FC 18 D6 41
3. Returned temperature data FFFFFC18H (Hex complement).
4. The original code is - (FF FF FC 18-1 = FF FF FC 17) = 80 00 03 E8(Hex) = -1000 (Decimal).
5. Then the temperature measurement is $-1000/1000 = -1^{\circ}$

S500 decode:

Read register 0x0000~0x0005.

Send command: 0A 04 00 00 00 06 **71 73** (Check code) ;

Return: 26 04 40 **00 00 70 80** (Temperature) **00 00 95 10** (Humidity) **06 07 94 40** (Air pressure) **99 09**
(Check code) ;

Read register 0x0008~0x0013.

Send command: 0A 04 00 08 00 0C **70 B6** (Check code) ;

Return: 0A 04 0C **00 00 00 00** (Min wind direction) **00 03 6E 84** (Max wind direction) **00 03 C8 C0** (Avg
wind direction) **00 00 00 00** (Min wind speed) **00 00 04 BC** (Max wind speed) **00 00 02 10** (Avg wind
speed) **BC 78** (Check code)

S700 decode:

Read register 0x0000~0x001F and 0x0030~0x0033.

Send command: 14 04 00 00 00 20 **F3 06**

Return: 14 04 40 **00 00 70 80** (Temperature) **00 00 95 10** (Humidity) **06 07 94 40** (Air pressure)
00 00 00 00 (Light) **00 00 00 00** (Min wind direction) **00 00 00 00** (Max wind direction) **00 00 00 00**
(Avg wind direction) **00 00 00 00** (Min wind speed) **00 00 00 00** (Max wind speed) **00 00 00 00** Avg
wind speed) **00 00 00 00** (Accumulated rainfall) **00 00 00 00** (Accumulated rainfall duration **00 00 00**
00 (Rain intensity) **00 00 00 00** (Maximum rainfall intensity) **00 00 6A 7C** (Heating Temperature **00**
00 00 00 (The dumping of state) **99 09** (Check code)

S1000 decode:

Read register 0x0000~0x001F and 0x0030~0x0033.

Send command: 2B 04 00 00 00 20 **F6 18**

Return: 2B 04 40 **00 00 70 80** (Temperature) **00 00 95 10**(Humidity) **06 07 94 40**(Air pressure) **00 00 00**
00(Light) **00 00 00 00**(Min wind direction) **00 00 00 00**(Max wind direction) **00 00 00 00**(Avg wind
direction) **00 00 00 00** (Min wind speed) **00 00 00 00**(Max wind speed) **00 00 00 00**(Avg wind speed) **00**
00 00

00(Accumulated rainfall) 00 00 00 00(Accumulated rainfall duration) 00 00 00 00(Rain intensity) 00 00
00 00(Maximum rainfall intensity)00 00 6A 7C(Heating Temperature) 00 00 00 00(The dumping of state)
99 09(Check code)

PM2.5,PM10 and CO2 need to be read separately:

Send command: 2B 04 00 30 00 04 F6 0C

Return: 2B 04 08 00 00 90 88(PM2.5) 00 00 A4 10(PM10) 13 FA(Check code)

Read register 0x0040~0x0041.

Send command:2B 04 00 40 00 02 77 D5

Return:2B 04 04 00 0C EC 98 (CO2) FD 2F (Check code) ;

4.2 ASCII Protocol

4.2.1 Commanddefinition

A	Device address, 0 by default
XA	Starter, fixed value
;	The separator used to distinguish multiple commands
...	A command, represented by different strings
?	A query term used to query values
=	Assignment, which is used to set the value
v	The argument, the specific value of the parameter is set
m	Sensor measurement
&	Sensor measurements combine character for getting or setting multiple measurement parameters
<CR><LF>	Response terminator

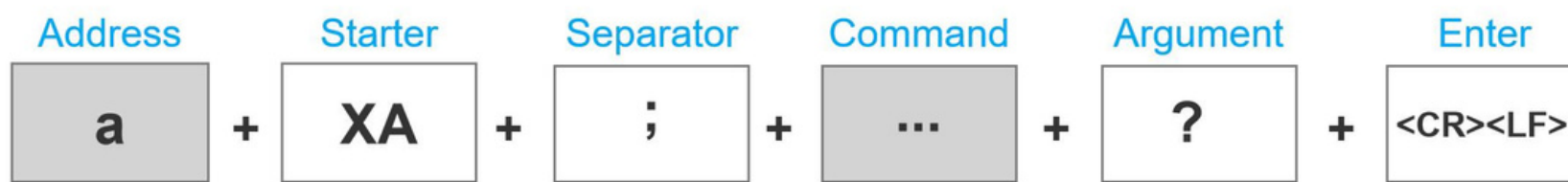
Terms Explanation

Command	Represented by different strings, such as BD for Baud rate and CP for communication protocol
Data List	A Data List contains multiple sensor measurement types, represented by an abbreviation of G0. For example, G0 contains several test types: AT;AH;AP;LX;DN;DM;DA;SN;SM;SA;RA;RD;RI;RP;HT;TILT

4.2.2 QueryCommandFormat

Commands come in two formats:

1. A command without = refers to the basic query method.



Example: ?<CR><LF> indicates query the device's address

2. A command with = refers to a query with an argument



Example: 0XA;BD=?<CR><LF> indicates query the device's baud rate

4.2.3 SettingCommandFormat

Set a specified parameter, such as setting a baud rate.



Example: 0XA;BD=96<CR><LF> indicates query the device's baud rate

4.2.4 Command List

Device info queries and related commands settings

Query Device address		?					
Query	Send	?<CR><LF>					
	Response	0XA<CR><LF>					
	Description	The default response address is 0					
Query baud rate		BD					
Query	Send	0XA; BD=?<CR><LF>					
	Response	0XA; BD=96<CR><LF>					
	Description	The baud rate for device 0 is 9,600					
Setting	Send	0XA; BD=[bd]<CR><LF>					
	Response	0XA; BD=[bd]<CR><LF>					
	Description	Return the Baud rate of device 0 is [bd], it could be 96 for 9600; 192 for 19200, 384 for 38400; 576 for 57600; and 1152 for 115200. For example, the return value 0XA;BD=96 represents the successful setting of a Baud rate of 9,600					
Communication protocol		CP					
Query	Send	0XA; CP=?<CR><LF>					
	Response	0XA; CP=[cp]<CR><LF>					
	Description	[cp] Represents the code of the communication protocol, the device supports multiple communication protocols. <table border="1" style="margin-left: 20px;"> <tr> <td>1</td> <td>SDI-12</td> </tr> <tr> <td>2</td> <td>RS-485Modbus-RTU</td> </tr> <tr> <td>3</td> <td>RS-485ASCII</td> </tr> </table> Response 0XA;CP=3<CR><LF> means that the data communication protocol of device 0 is Modbus-RTU protocol based on the RS-485 bus	1	SDI-12	2	RS-485Modbus-RTU	3
1	SDI-12						
2	RS-485Modbus-RTU						
3	RS-485ASCII						
Setting	Send	0XA; CP=[cp] <CR><LF>					
	Response	0XA; CP=[cp] <CR><LF>					
	Description	Set the communication protocol of device 0 to [cp], if [cp] is 6, the communication protocol is set to ASCII text protocol based on the RS-485 bus					
RS-485 address		MBAD					

Query	Send	0XA; MBAD=?<CR><LF>	
	Response	0XA; MBAD=1<CR><LF>	
	Description	The RS-485 address of device 0 is 1 (decimal)	
Setting	Send	0XA; MBAD=2<CR><LF>	
	Response	0XA; MBAD=2 <CR><LF>	
	Description	Set the address of device 0 to 2 (decimal)	
RS-485 baud rate		MBBD	
Query	Send	0XA; MBBD=?<CR><LF>	
	Response	0XA; MBBD=96<CR><LF>	
	Description	The RS-485 communication baud rate for device 0 is 9,600	
Setting	Send	0XA; MBBD=[bd]<CR><LF>	
	Response	0XA; MBBD=[bd]<CR><LF>	
	Description	Return device 0's RS-485 communication baud rate is [bd]: it can be 96 for 9600, 192 for 19200, 384 for 38400, 576 for 57600, and 1152 for 115200. For example, the return value is 0XA;MBBD=96 represents the successful setting of the baud rate of 9,600	
Device model		TP	
Query	Send	0XA; TP=?<CR><LF>	
	Response	0XA; TP=SenseCAP ONE S700<CR><LF>	
	Description	The device model is SenseCAP ONE S700	
Device version		VE	
Query	Send	0XA; VE=?<CR><LF>	
	Response	0XA; VE=HW-1.0&SW-2.0&S1-2.2<CR><LF>	
	Description	Device hardware(HW) is v1.0, the software firmware(SW) is v2.0, and the #1 driver board firmware is v2.2	
Device serial number		S/N	
Query	Send	0XA; S/N=?<CR><LF>	
	Response	0XA; S/N=1019906922012011<CR><LF>	
	Description	S/N represents the serial number of the device	
Production date		MD	
Query	Send	0XA; MD=?<CR><LF>	
	Response	0XA; MD=20201027<CR><LF>	
	Description	The production date of the return device is October 27, 2020, 20201027	
Restore configuration		RESTORE	
Setting	Send	0XA; RESTORE=1<CR><LF>	
	Response	0XA; RESTORE=1<CR><LF>	
	Description	Return 0XA; RESTORE=1 means the setting is successful and return 0XA means the setting fails.	
Electronic Compass		CC	
Query	Send	0XA;CC=?<CR><LF>	
	Response	0XA;CC=[cc]<CR><LF>	
	Description	[cc] Electronic Compass offset state	
		Y	Enable Electronic Compass
N		Disable Electronic Compass	
C	Enable Geomagnetic compensation		

Setting	Send	0XA;CC=Y<CR><LF>
	Response	0XA;CC=Y<CR><LF>
	Description	Enable Electronic Compass
	Send	0XA;CC=N<CR><LF>
	Response	0XA;CC=N<CR><LF>
	Description	Disable Electronic Compass
	Send	0XA;CC=C<CR><LF>
	Response	0XA;CC=C<CR><LF>
	Description	Enable Geomagnetic compensation , it will start the 30s compensation process, during this time, the device should be placed horizontally, and rotate evenly along the Z-axis for 1-2 rounds.
Tilt Detect		TD
Query	Send	0XA;TD=?<CR><LF>
	Response	0XA;TD=Y/N<CR><LF>
	Description	Y: Enable tilt detection function N: Disable tile detection function
Setting	Send	0XA;TD=Y<CR><LF>
	Response	0XA;TD=Y<CR><LF>
	Description	Set to enable tilt detection function: TILT=0 means the device is placed vertically, TILT=1 means the device is placed not placed upright.
	Send	0XA;TD=N<CR><LF>
	Response	0XA;TD=N<CR><LF>
	Description	Disable tile detection function: the TILT always equals 0 when the device is placed at any position.
Heating		HC
Query	Send	0XA; HC =?<CR><LF>
	Response	0XA; HC =Y/N<CR><LF>
	Description	Y: enable heating function N: disable heating function
Setting	Send	0XA;HC=Y<CR><LF>
	Response	0XA;HC=Y<CR><LF>
	Description	Turn on the heating function of the device; When the air temperature is between [5°C and -25°C], the device begins to heat, and the temperature of the heating plate is the highest, up to 40°C When the air temperature is higher than 5 ° C, the device stops to heat; (Note: If the temperature is lower than -25 ° C ,the heating module cannot raise the temperature of the device above 0 ° C, it may freeze, which will affect the detection of wind speed and direction)
	Send	0XA;HC=N<CR><LF>
	Response	0XA;HC=N<CR><LF>
	Description	Set to enable heating function.

Command to read sensor data.

For quick reading of all measurements, G0 is the command.

Read all measurements		G0
Query	Send	0XA; G0?<CR><LF>

	Response	0XA;AT=23.6;AH=56.4;AP=100819.1;LX=93.0;DN=0.0;DM=0.0;DA=0.0;SN=0.0;SM=0.0;SA=0.0;RA=1.4;RD=60.0;RI=0.0;RP=0.0;HT=-38.4;TILT=0.0<CR><LF>
	Description	Returns the value of all measurement parameters

Group Name	Measurement	Name	Unit
G0	Contains all combinations of measurement parameters		
	AT	Air temperature	°C (default), °F
	AH	Air humidity	%RH
	AP	Barometric pressure	Pa (default), hPa, bar, mmHg, inHg
	LX	Light intensity	Lux
	DN	Minimum wind direction	deg
	Dm	Maximum wind direction	deg
	DA	Average wind direction	deg
	SN	Minimum wind speed	m/s (default), km/h, mph, knots
	SM	Maximum wind speed	m/s (default), km/h, mph, knots
	SA	Average wind speed	m/s (default), km/h, mph, knots
	RA	Accumulated rainfall	mm (default), in
	RD	Duration of rainfall	s
	RI	Rainfall intensity	mm/h (default), in/h
	Rp	Maximum rainfall intensity	mm/h (default), in/h
	HT	Heating temperature	°C
TILT	Fall detection		

Modify the Properties of Measurement Parameters

Properties represent some characteristics of the measured data, such as the unit of output temperature and the interval between data updates.

Temperature and Humidity Data Update Interval		IB
Query	Send	0XA;IB=? <CR><LF>
	Response	0XA;IB=1<CR><LF>
	Description	The default data updates every 1 second
Setting	Send	0XA;IB=2<CR><LF>
	Response	0XA;IB=2<CR><LF>
	Description	Set the data update interval to 2 seconds, you can choose a value between 1 to 3600 seconds.
Air Temperature Unit		UT
Query	Send	0XA; UT=? <CR><LF>
	Return	0XA; UT=C<CR><LF>
	Description	The temperature unit is Celsius
Set up	Send	0XA; UT=F<CR><LF>
	Response	0XA; UT=F<CR><LF>
	Description	Set the air temperature unit to Fahrenheit. C=°C, F=°F
Barometric Pressure Unit		UP

User manual/ Technical information

Query	Send	0XA; UP=? <CR><LF>
	Response	0XA; UP=P<CR><LF>
	Description	The unit is Pa.
Set up	Send	0XA; UP=H<CR><LF>
	Response	0XA; UP=H<CR><LF>
	Description	Set the unit to hPa. P = Pa, H = hPa, B = bar, M = mmHg, I=inHg
Wind Speed & Direction Data Update Interval		IW
Query	Send	0XA; IW=? <CR><LF>
	Response	0XA; IW=1<CR><LF>
	Description	The default data updates every 1 second.
Set up	Send	0XA; IW=2<CR><LF>
	Response	0XA; IW=2<CR><LF>
	Description	Set the data update interval to 2 seconds, you can choose a value between 1 to 3600 seconds.
Wind speed & direction average time window		AW
Query	Send	0XA; AW=? <CR><LF>
	Response	0XA; AW=5<CR><LF>
	Description	The default average update interval for wind speed & direction data is 5 seconds. The device collects wind speed & direction in 5s intervals and then averages the value.
Setting	Send	0XA; AW=10<CR><LF>
	Response	0XA; AW=10<CR><LF>
	Description	Set the data update interval to 10 seconds, you can choose a value between 1 to 3600 seconds
Wind Speed Unit		US
Query	Send	0XA; US=? <CR><LF>
	Response	0XA; US=M<CR><LF>
	Description	The default wind speed unit is m/s
Setting	Send	0XA; US=K<CR><LF>
	Response	0XA; US=K<CR><LF>
	Description	Set unit to km/h M = m/s, K = km/h, S = mph, N = knots
The wind direction offset correction value		DO
Query	Send	0XA; DO=? <CR><LF>
	Response	0XA; DO=0<CR><LF>
	Description	The default correction angle for the wind direction is 0.
Setting	Send	0XA; DO=1<CR><LF>
	Response	0XA; DO=1<CR><LF>
	Description	Set the wind direction offset to +10°, if the current wind direction is 280°, the corrected wind direction is 290 degrees. The wind correction range is -180° to 180°
Rainfall Data Update Interval		IR

Query	Send	0XA;IR=? <CR><LF>
	Response	0XA;IR=10<CR><LF>
	Description	The default rain data update interval is 10 seconds.
Setting	Send	0XA;IR=60<CR><LF>
	Response	0XA;IR=60<CR><LF>
	Description	Set the data update interval to 60seconds. The interval range is 10 to 3600 seconds.
Rainfall Unit		UR
Query	Send	0XA; UR=? <CR><LF>
	Response	0XA; UR=M<CR><LF>
	Description	The default rainfall unit is mm
Setting	Send	0XA; UR=I<CR><LF>
	Response	0XA; UR=I<CR><LF>
	Description	Set the units of rainfall to inches M = mm, I = inch.
Rainfall Counter Reset Mode		CR
Query	Send	0XA; CR=? <CR><LF>
	Response	0XA; CR=M<CR><LF>
	Description	Rain counter reset mode is by manual M
Setting	Send	0XA; CR=L<CR><LF>
	Response	0XA; CR=L<CR><LF>
	Description	Set the counter reset mode to overflow reset, and you can select the modes as: M: Manual reset, reset immediately after sending the reset command (the reset command is available under all three communication protocols, as detailed in the different protocol sections). A: Post-read reset (accumulated rainfall and accumulated rainfall time are performed separately after reading reset) L: Overflow reset
Accumulated rainfall overflow value		AL
Query	Send	0XA; AL=? <CR><LF>
	Response	0XA; AL=80000<CR><LF>
	Description	The default accumulated rainfall overflow value is 80000, which is measured in the current rainfall unit. This overflow value takes effect only if the CR rainfall counter reset mode is set to L overflow reset.
Setting	Send	0XA; AL=1000<CR><LF>
	Response	0XA; AL=1000<CR><LF>
	Description	When the rainfall is set to 1000 (current unit), the accumulated rainfall will be reset to 0. The overflow value range is 10-80000 (current unit).
Accumulated rainfall duration overflow value		DL
Query	Send	0XA; DL=? <CR><LF>
	Response	0XA; DL=2000000<CR><LF>
	Description	The default rainfall duration overflow value is 2,000,000, the unit is second. This overflow value will only take effect when the CR rainfall counter reset mode is L overflow reset.

User manual/ Technical information

Setting	Send	0XA; DL=3600<CR><LF>
	Response	0XA; DL=3600<CR><LF>
	Description	Set the rainfall duration overflow value to 3600 seconds. It ranges between 100 – 2000000 seconds.
Clear the accumulated rainfall		CRA
Setting	Send	0XA; CRA=1<CR><LF>
	Response	0XA; CRA=1<CR><LF>
	Description	Clear the accumulated rainfall.
Clear accumulated rainfall Duration		CRD
Setting	Send	0XA; CRD=1<CR><LF>
	Response	0XA; CRD=1<CR><LF>
	Description	Clear the accumulated rainfall duration.
Interpretation	Accumulated rainfall	Once the device is powered ,the accumulated value will be calculated and saved. When the accumulated value reaches 80,000 mm, it will be automatically cleared and enter the recalculation stage (it will still be saved after power off).
	Accumulated rainfall duration	Once the device is powered ,the accumulated value will be calculated and saved. When the accumulated value reaches 2000000s, it will be automatically cleared and enter the recalculation stage (it will still be saved after power off).
	Rainfall intensity (hourly rainfall)	The accumulated rainfall in the past hour, during which the accumulated value is updated every 10s until the accumulated time reaches 1 hour
	Maximum rainfall intensity	Maximum rainfall per minute in the past hour *60 minutes

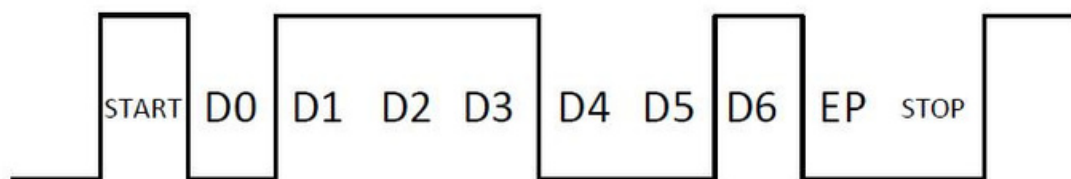
4.3 SDI-12

SDI-12 communication adopts three wires, two of which are sensor power supply wires and the other is SDI-12 signal wire.

Each sensor on the SDI-12 bus has a unique address, which can be set to '0', '1' ~ '9', 'A' ~ 'Z', 'A' ~ 'Z'. The SDI-12 address of the SenseCAP ONE defaults to '0'. The instructions supported by this sensor are shown in the next chapter, where each instruction conforms to the SDI-12 v1.4.

The sensor is powered by a DC power supply of 3.6~16V. After the sensor is powered on, it will go into sleep mode immediately and wait for the data acquisition equipment to give instructions. SDI-12 uses baud rate 9600bps, 1 start bit (high level), 7 data bits (high 0 and low 1, anti-logic), 1 even parity bit, and 1 stop bit.

The sequence of each byte sent is shown in the following figure:



4.3.1 SDI-12 command and response

Command format

- Start with device address 'a', it is '0' in the following sample.
- End with '!' as a terminator
- The response command end with the <CR><LF>

Query the device address	?!
Send	?!
Response	0<CR><LF>
Description	The sensor at address '0' responded to the query
Query the device status	0!
Send	0!
Response	0<CR><LF>
Description	Address '0' of device online
Query the device information	0I!
Send	0I!
Response	014SenseCAPONE3.01019906922104001<CR><LF>
Description	Response the device information

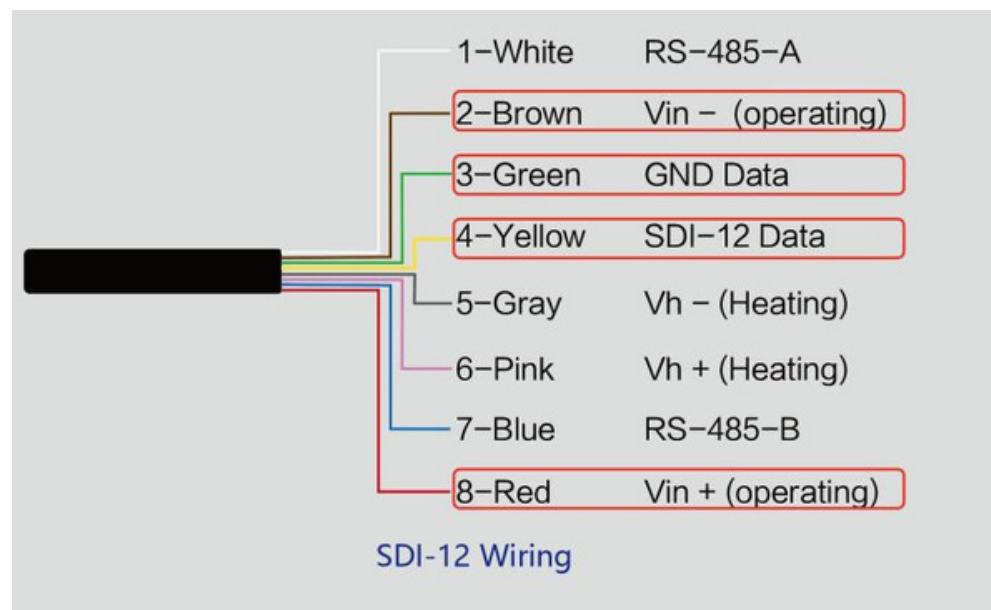
	<pre> acccccccmmmvvxxxxxxxxxxxxxxxxxx<CR><LF> a Device address:0 14 SDI-12 protocol version: v1.4 ccccccc Product: SenseCAP mmm Device series: ONE vvv Software version: 3. xxxxxxxxxxxxxxxxxx Device serial number: 1019906922104001 </pre>
Modify device address	0Ab!
Send	0A1!
Response	1<CR><LF>
Description	Device address 0 is changed to 1. The address range is 0-9 、 A-Z、 a-z.
Start Measurement	0M!
Send	0M!
Response	Immediately response: 00024<CR><LF> After 2s, the response device's address, means finishing the measurement.: 0<CR><LF>
Description	<p>This command is to start THPL measurement, in order: air temperature, air humidity, atmospheric pressure, illuminance, but the sensor will not reply to the measurement data immediately after receiving this command, but the time required to reply the measurement data and the number of measurements. To obtain measurement data, you must wait until the measurement is completed, and then use the send data command "0D0!" to obtain it.</p> <p>After using this command, the sensor will enter a sleep mode after the measurement to save power consumption. After using "continuous measurement command 0R0!...0R9!", it will exit the low power consumption state.</p> <p>The response format is defined as follows:</p> <pre> attn<CR><LF> a Device address:0 ttt The time expense to measure data, the unit is seconds. n The number of measurements </pre>
Extended Measurement	0M1!...0M9!
Send	0Mn! (n ranges 0~9)
Response	Immediately response: 00024<CR><LF> After 2s, the response device's address, means finishing the measurement.: 0<CR><LF>
Description	<p>0M1!: Start Wind measurement: minimum wind direction, maximum wind direction, average wind direction, minimum wind speed, maximum wind speed, average wind speed.</p> <p>0M2!: Start Rain measurement: accumulated rainfall, accumulated rainfall time, rainfall intensity, maximum rainfall intensity.</p> <p>0M3!: Start Dust measurement: PM2.5, PM10.</p>

	<p>0M9!: Start other measurements: heating temperature, tilt status.</p> <p>0M4!...0M8!: reserved.</p> <p>After using this command, the sensor will enter a sleep mode after the measurement to save power consumption. After using "continuous measurement command 0R0!...0R9!", it will exit the low power consumption state.</p> <p>For the definition of reply, please refer to "Start measurement command 0M!"</p>				
Read measurement value	0D0!...0D9!				
Send	0D0!				
Response	0+27.65+65.81+100000+5000<CR><LF>				
Description	<p>This command is used to obtain a set of measurement data in the sensor. The sensor responds with the measurement data. If all the desired measurement data is not returned in 0D0!, you can continue to send 0D1!, 0D2!, etc., until all the measurement data is received.</p> <p>The response format is defined as follows: a<values><CR><LF></p> <table border="1"> <tr> <td>a</td> <td>Device address:0</td> </tr> <tr> <td><values></td> <td> <p>This the real measurement value.</p> <p>pd.d</p> <p>p is the polarity symbol.</p> <p>the first d is the number before the decimal point.</p> <p>the second d is the data after the decimal point.</p> <p>Note that the decimal point is not necessary.</p> <p>In this example, "+27.65" is the first measurement data, "+65.81" is the second measurement data, "+100000" is the third measurement data, and "+5000" is the fourth measurement data.</p> </td> </tr> </table>	a	Device address:0	<values>	<p>This the real measurement value.</p> <p>pd.d</p> <p>p is the polarity symbol.</p> <p>the first d is the number before the decimal point.</p> <p>the second d is the data after the decimal point.</p> <p>Note that the decimal point is not necessary.</p> <p>In this example, "+27.65" is the first measurement data, "+65.81" is the second measurement data, "+100000" is the third measurement data, and "+5000" is the fourth measurement data.</p>
a	Device address:0				
<values>	<p>This the real measurement value.</p> <p>pd.d</p> <p>p is the polarity symbol.</p> <p>the first d is the number before the decimal point.</p> <p>the second d is the data after the decimal point.</p> <p>Note that the decimal point is not necessary.</p> <p>In this example, "+27.65" is the first measurement data, "+65.81" is the second measurement data, "+100000" is the third measurement data, and "+5000" is the fourth measurement data.</p>				
Continuous measurement command	0R0!..0R9!				
Send	0R0!				
Response	0+27.65+65.81+100000+5000<CR><LF>				
Description	<p>This is different from "start measurement command 0M!", the measurement value can be returned directly. Each "continuous measurement command" is an independent measurement process, for example, 0R0! and 0R1! are not required before 0R2!.</p> <p>0R0!: Start continuous THPL measurement: air temperature, air humidity, atmospheric pressure, light intensity.</p> <p>0R1!: Start Wind continuous measurement: minimum wind direction, maximum wind direction, average wind direction, minimum wind speed, maximum wind speed, average wind speed.</p> <p>0R2!: Start Rain measurement: accumulated rainfall, accumulated rainfall time, rainfall intensity,</p>				

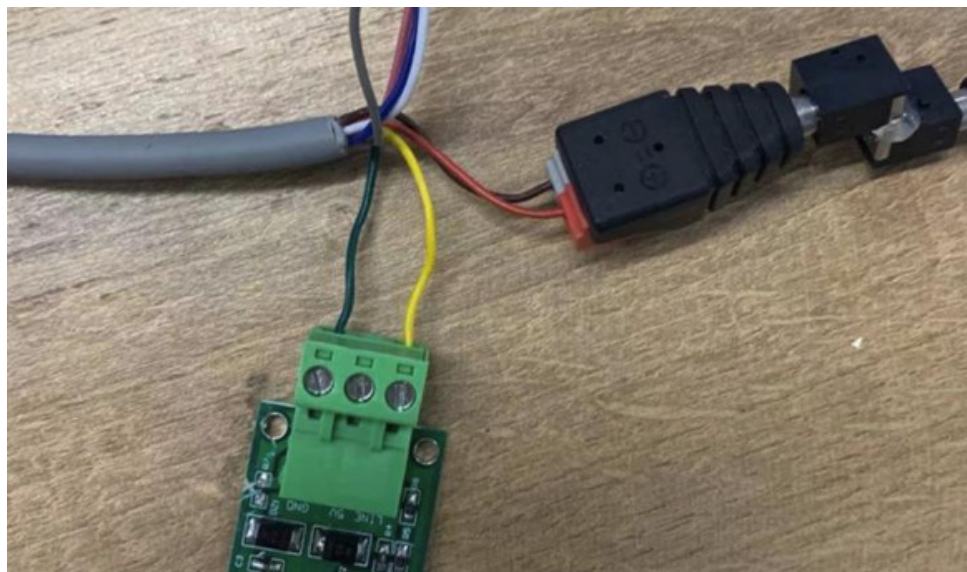
	<p>maximum rainfall intensity.</p> <p>OR3!: Start Dust continuous measurement: PM2.5, PM10.</p> <p>OR9!: Start another Continuous measurement: heating temperature, dumping status.</p> <p>OR4!...OR8!: reserved.</p> <p>If the sensor was in a low-power working state before, after using this command, the sensor will exit the low-power working state.</p>				
Start Measurement with CRC	aMC!,aMC1!...aMC9!,aRC0!...aRC9!				
Send	ORC0!				
Response	0+26.52+67.73+100280+35JKy				
Description	<p>To enhance the error detection capability of the SDI-12 protocol, "start measurement command 0M!", "extended measurement command 0M1!..0M9!" and "continuous measurement command 0R0!...0R9!" can add 16-bit cyclic redundancy check. Add the character C after the command character M or R of these commands to form a new command: aMC!,aMC1!...aMC9!,aRC0!...aRC9!.</p> <p>For the calculation of CRC-16, please refer to the SDI-12 protocol v1.4 document.</p>				
Clear accumulated rainfall duration	0XCRA!				
Send	0XCRA!				
Response	01<CR><LF>				
Description	aN<CR><LF>				
	<table border="1"> <tr> <td>a</td> <td>Device address:0</td> </tr> <tr> <td>N</td> <td>Clear success: 1 Clear failed: 0</td> </tr> </table>	a	Device address:0	N	Clear success: 1 Clear failed: 0
	a	Device address:0			
N	Clear success: 1 Clear failed: 0				
Clear accumulated rainfall duration	0XCRD!				
Send	0XCRD!				
Response	01<CR><LF>				
Description	aN<CR><LF>				
	<table border="1"> <tr> <td>a</td> <td>Device address:0</td> </tr> <tr> <td>N</td> <td>Clear success: 1 Clear failed: 0</td> </tr> </table>	a	Device address:0	N	Clear success: 1 Clear failed: 0
	a	Device address:0			
N	Clear success: 1 Clear failed: 0				

4.3.2 SDI-12Read

Wiring the SDI-12



Use USB to SDI-12 debugger to communicate with the device



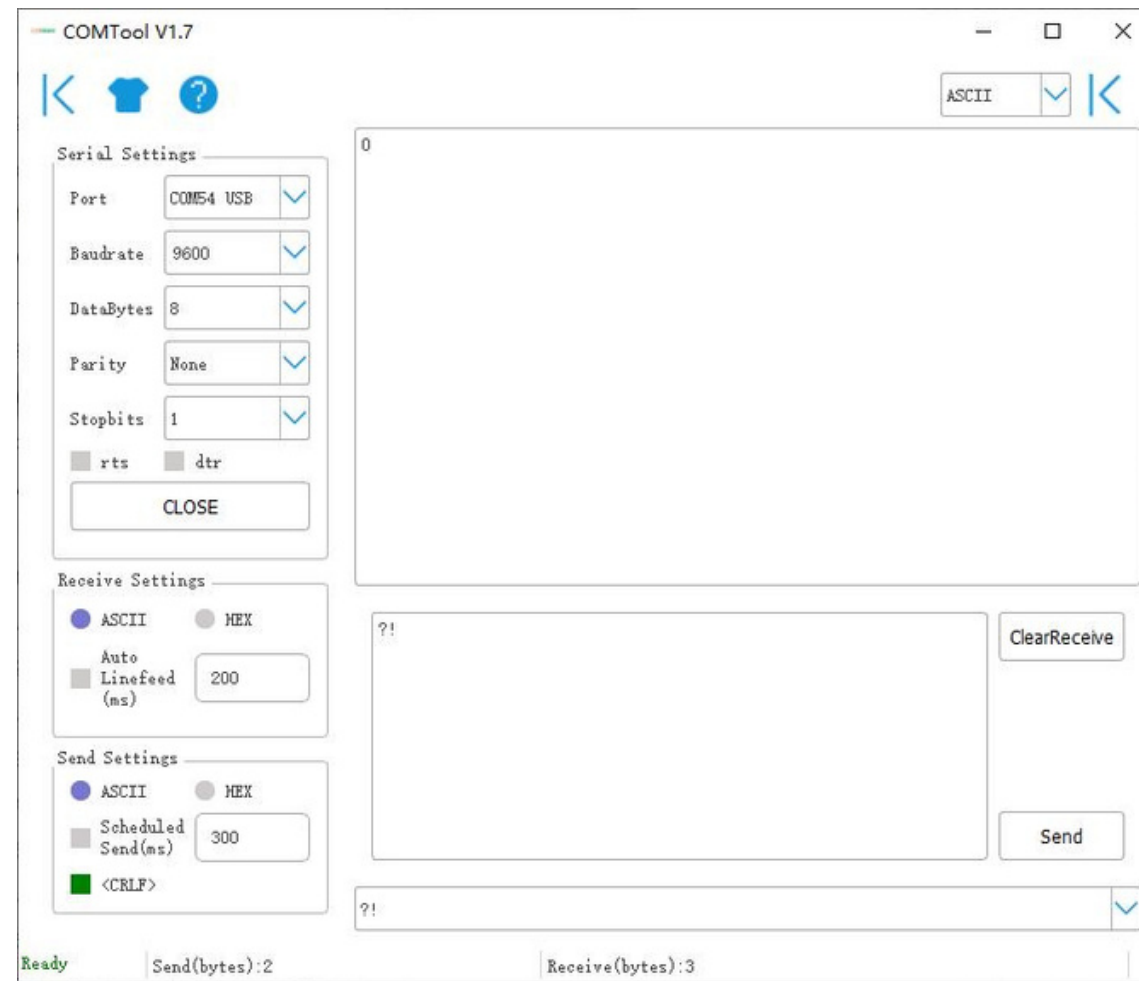
The communication settings:

Format	1 start bits, 7 data bits, Even parity, 1 stop
Baud rate	bits 1200bps
Device address	0x00

Connect the green wire (GND Data) and yellow wire (SDI-12 Data) to the USB to SDI-12 debugger. And connect the red wire (Vin+ power positive) and brown wire (Vin- power ground) to the 12V power supply.

Download the serial port debugging assistant: <https://github.com/Neutree/COMTool>, and then open the serial port debugging tool.

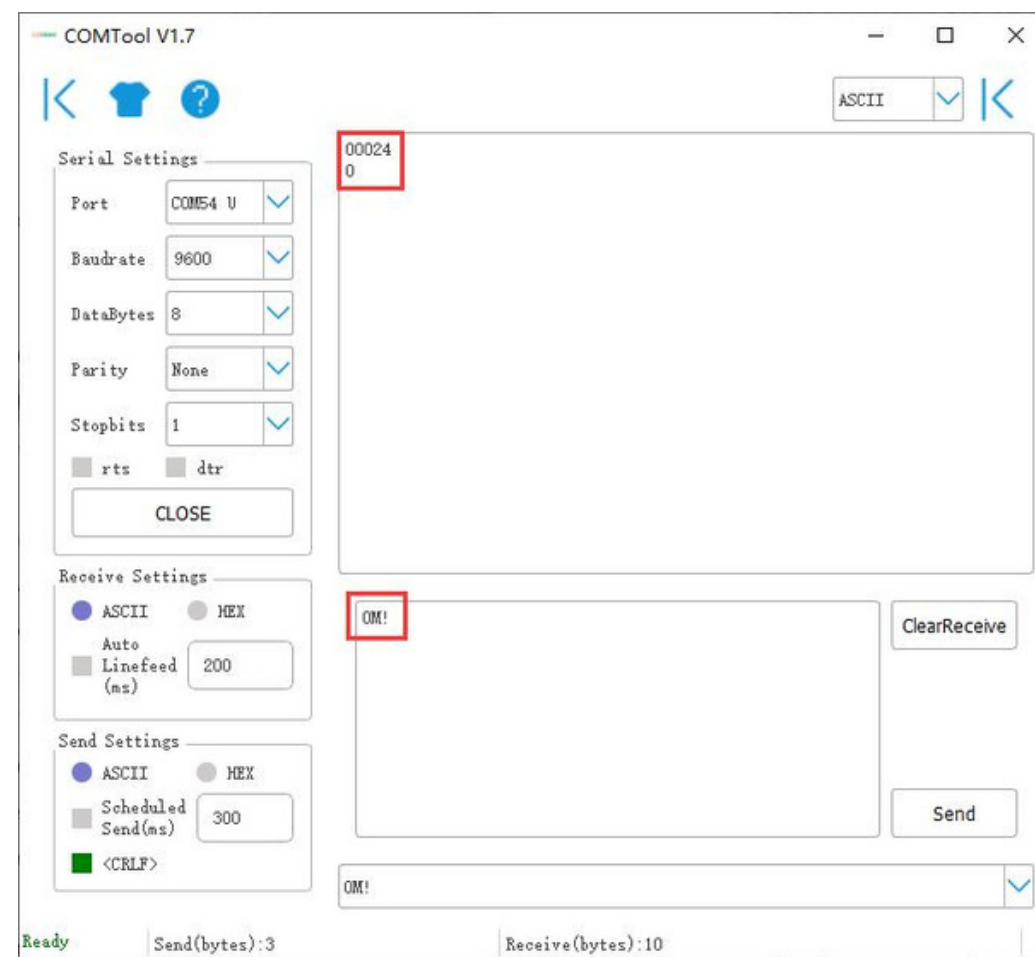
- Choose the correct port number
- Set the baud rate to the baud rate of the USB to SDI-12 debugger (note that it is not the baud rate of the SDI-12 protocol)
- Check the "CRLF"
- Click to open the serial port.
- Send the query device address command "?!", if you can see the response "0", it means the connection is OK.



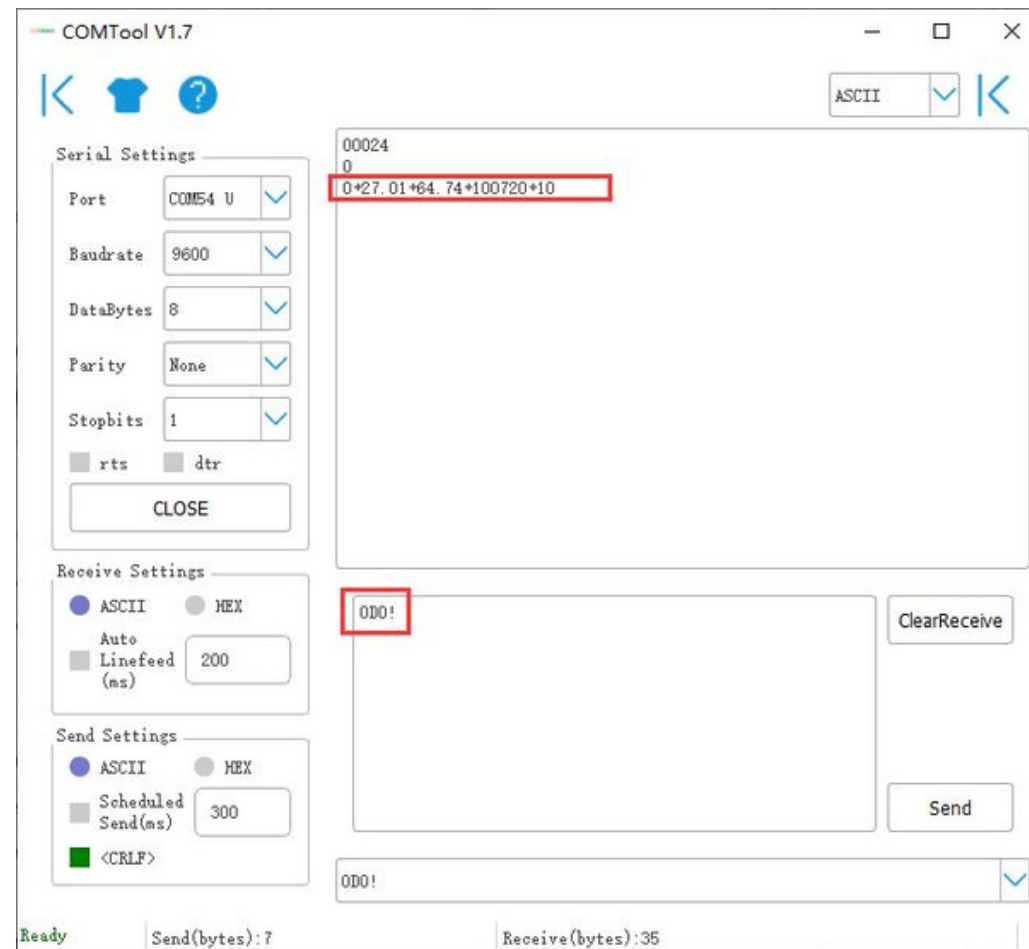
Start Measurement

Read air temperature, air humidity, barometric pressure, light intensity

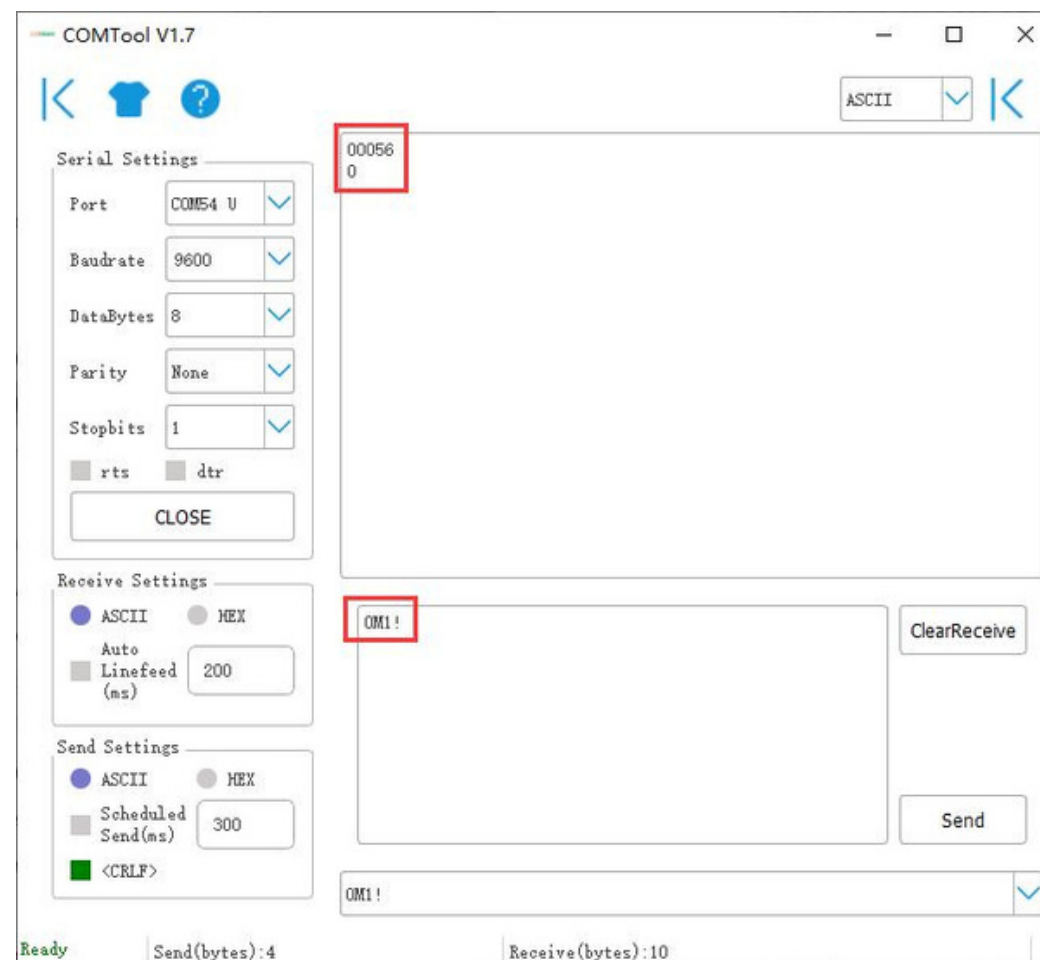
Send the "start measurement command 0M!", the sensor first responds with "00024", which means that the "0M!" command takes 2 seconds to measure and returns 4 measured values. After 2 seconds, the sensor responds with its own address "0", indicating that the measurement has been completed.



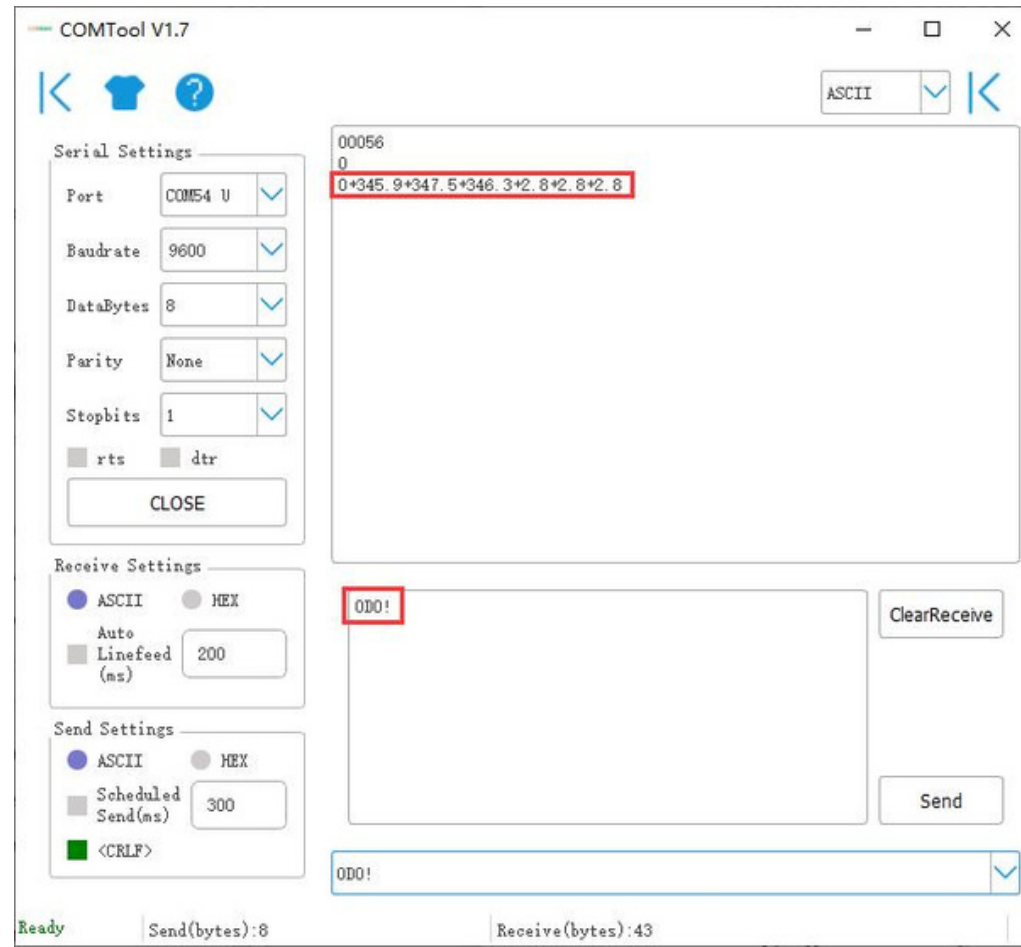
Then send " Read measurement value command 0D0!" to get the 4 measured values of this measurement, which are air temperature +27.01 °C , air humidity 64.74%, barometric pressure 100720Pa, and light intensity 10Lux.



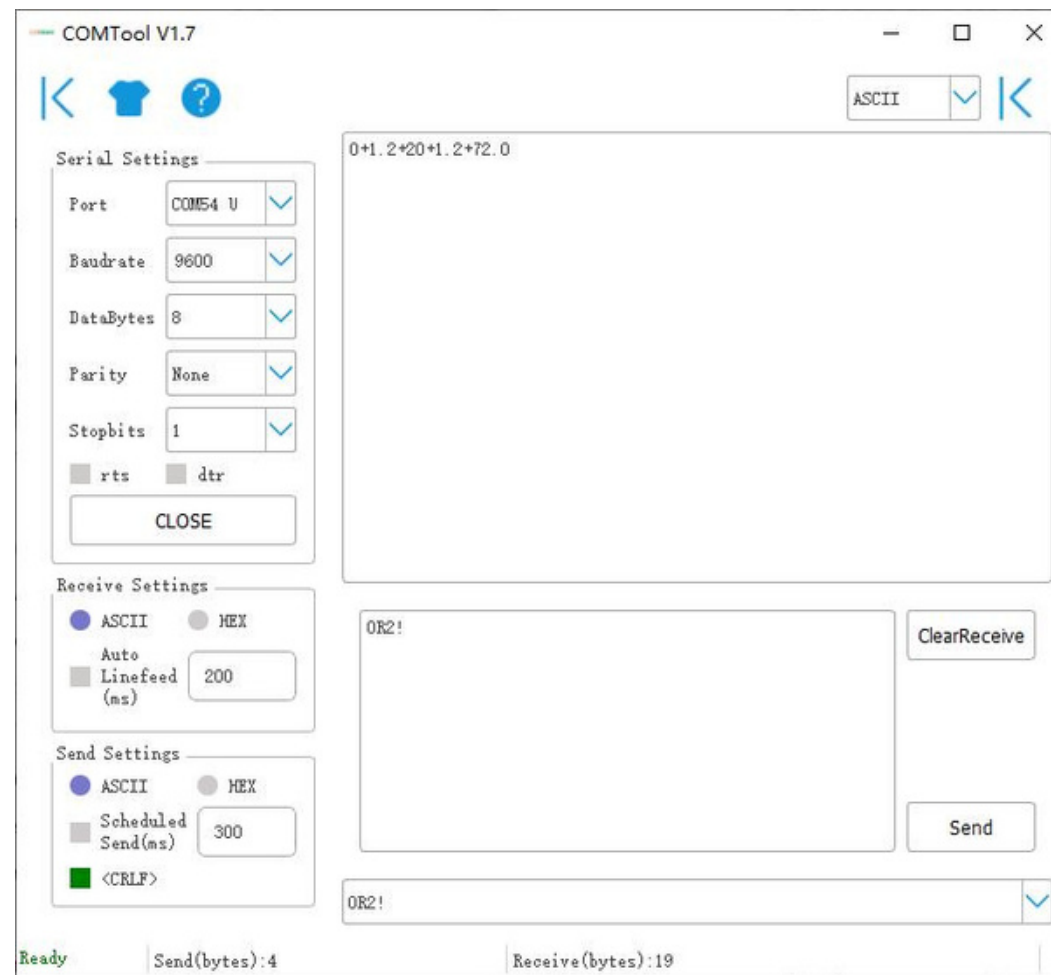
Use extended measurement command OM1! to read minimum wind direction, maximum wind direction, average wind direction, minimum wind speed, maximum wind speed, average wind speed. The device responds with "00056", which means that the "OM1!" command takes 5 seconds to measure and returns 6 measured values. After 5 seconds, the device responds with its own address "0", indicating that the measurement has been completed.



Then send " Read measurement value command OD0!" to get the 6 measured values of this measurement, which are minimum wind direction 345.9 degrees, maximum wind direction 347.5 degrees, average wind direction 346.3 degrees, minimum wind speed 2.8m/s, and maximum wind speed 2.8m. /s, average wind speed 2.8m/s.



Then send “continuous measurement command 0R2!, the device returns 4 measured values: cumulative rainfall 1.2mm, cumulative rainfall duration 20 seconds, rainfall intensity 1.2mm/h, maximum rainfall intensity 72.0mm/h.



5 Error code

5.1 Modbus error code

Error code	Description	Response instance
0x01	Device do not response	01 84 01 82 C0
0x04	Sensor probe exception	01 84 04 42 C3

5.2 ASCII error code

Error code	Description	Response instance
0	Command do not exist	0XA;...=#0
1	Device do not response	0XA;AT=#1
3	The command length exceeds the limit, it needs to be reduced	0XA;...=#3
4	Sensor probe exception	0XA;AT=#4

5.3 SDI-12 error code

Error code	Description	Response instance
2001001	Device do not response	0+2001001+ 2001001+ 2001001+ 2001001<CR><LF>
2001004	Sensor probe exception	0+2001004+ 2001004+ 2001004+ 2001004<CR><LF>