

GO SOLO C4

Commercial 4G LTE Solar Power Camera Support 24 Days Standby and 24hr Night ColorVu



This is a fully integrated solar powered ceullar security camera system includes solar panel and rechargeable battery. GO SOLO C4 is an unique solar security camera system with up to 24 days super long standby time, and it comes with complete API/HTTP protocols for flexible 3rd party system integration.

Outstanding Features

- 4 Megapixels HD image
- 4G LTE Wireless
- 195WH battery and 40W solar panel (angle adjustable)
- Super low power consumption (40mW in standby mode and 1.85W normal), estimated 24 days in standby mode, and 4.5 days in proactive mode
- 24hour color view with supplement white light up to 100ft
- Human body detection by PIR sensor
- Efficient H.265 compression
- Built-in Mic, speaker
- Outdoor rated
- Working temperature: -20 °C to 60 °C (-4°F to 113 °F) with Battery heater design

Excellent Low Power Consumption

The camera can be set in 3 working modes, that is Full Performance mode, Low Consumption mode and Standby mode. The camera will operate up to 24 continuous cloudy or rainy days. PIR sensor is always active to trigger alarm and upload snapshots to cloud immediately.

Working Modes	PIR Sensor	4G Wireless	Pictures Upload	Recording	IR/White Light	Intelligent Video Analysis	Operation Time
Full Performance Mode	ON	Active	ON	Realtime Recording	ON	ON	2.5 Day
Low Consumption Mode	ON	Keeps Heartbeat	ON	Realtime Recording	30% ON	OFF	4.5 Days
Standby Mode	ON	Keeps Heartbeat	ON	Alarm Recording Only	30% ON	OFF	24 Days

*Condition: In Low Consumption mode or Standby mode, assuming 10 manual wake-ups per day with 3-minutes view each time; and No more than 30 events triggered per day.

Specification

Camera	
Image Sensor	1/1.8" Progressive Scan CMOS
Max. Resolution	2688 × 1520
Min. Illumination	Color: 0.0005 Lux @ (F1.0, AGC ON), B/W: 0 Lux with white light
Shutter Time	1/3 s to 1/100,000 s
Angle Adjustment	Solar Cover: Pan: 0° to 358°, tilt: -40° to 40° Camera: Pan: 0° to 360°, tilt: -60° to 0°
Lens	
Lens Type	Fixed focal lens, 4 and 6 mm optional
Aperture	F1.0
Focal Length & FOV	4 mm, horizontal FOV 95°, vertical FOV 51°, diagonal FOV 115° 6 mm, horizontal FOV 58°, vertical FOV 31°, diagonal FOV 69°
Lens Mount	M16
DORI	
DORI	4mm, D: 77 m, O: 30 m, R: 15 m, I: 8 m 6mm, D: 116 m, O: 46 m, R: 23 m, I: 12 m
Illuminator	
Supplement Light Type	White Light
Supplement Light Range	Performance mode: up to 30 m Proactive mode: up to 10 m
Smart Supplement Light	Yes
Video	
Main Stream	50 Hz: 12.5 fps (2688 × 1520, 1920 × 1080, 1280 × 720) 60 Hz: 15 fps (2688 × 1520, 1920 × 1080, 1280 × 720)
Sub-Stream	50 Hz: 12.5 fps (640 × 480, 640 × 360) 60 Hz: 15 fps (640 × 480, 640 × 360)
Video Compression	Main stream: H.265/ H.264 Sub-stream: H.265/H.264/MJPEG H.264+: Performance mode: main stream supports H.265+: Performance mode: main stream supports
Video Bit Rate	32 Kbps to 8 Mbps
H.264 Type	Baseline Profile/Main Profile/High Profile
H.265 Type	Main Profile
Bit Rate Control	CBR/VBR
Region of Interest (ROI)	1 fixed region for main stream
Scalable Video Coding (SVC)	H.265 and H.264 support

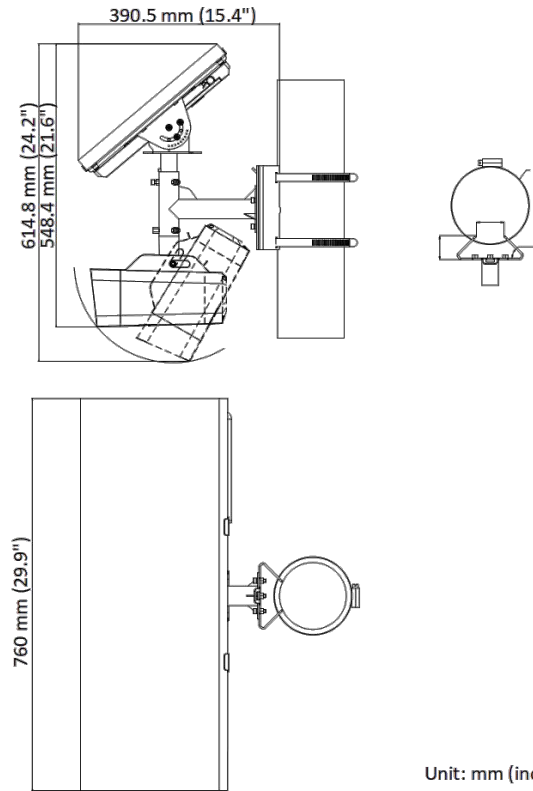
Specification

Audio	
Audio Sampling Rate	8 kHz/16 kHz/32 kHz/44.1 kHz/48 kHz
Environment Noise Filtering	Yes
Audio Compression	G.711/G.722.1/G.726/MP2L2/PCM/AAC/MP3
Audio Bit Rate	64 Kbps (G.711ulaw/G.711alaw)/16 Kbps (G.722.1)/16 Kbps (G.726)/32 to 192 Kbps (MP2L2)/8 to 320 Kbps (MP3)/16 to 64 Kbps (AAC)
Network	
Security	Password protection, complicated password, HTTPS encryption, IP address filter, Security Audit Log, basic and digest authentication for HTTP/HTTPS, TLS 1.1/1.2, WSSE and digest authentication for Open Network Video Interface
Simultaneous Live View	Up to 6 channels
API	Open Network Video Interface, ISAPI, SDK, ISUP
Protocols	TCP/IP, ICMP, HTTP, FTP, DHCP, DNS, DDNS, RTP, RTSP, RTCP, NTP, UPnP, SMTP, IGMP, QoS, IPv6, UDP, Bonjour, SSL/TLS, SNMP, HTTPS, 802.1X
User/Host	Up to 32 users. 3 user levels: administrator, operator and user
Network Storage	Auto network replenishment (ANR)
Client	iVMS (PC Client), Guarding Vision (Mobile App)
Web Browser	Plug-in required live view: IE 10+Plug-in free live view: Chrome 57.0+, Firefox 52.0+Local service: Chrome 57.0+, Firefox 52.0+
Mobile Communication	
Frequency	LTE-FDD: Band 2/4/5/12/13/17/66/71 WCDMA: Band 2/4/5
Standard	LTE-TDD, LTE-FDD, WCDMA, GSM
Image	
SNR	≥ 52 dB
Wide Dynamic Range (WDR)	120 dB
Day/Night Switch	Day, Night, Auto, Schedule
Image Enhancement	BLC, HLC, 3D DNR
Image Settings	Rotate mode, saturation, brightness, contrast, sharpness, gain, white balance adjustable by client software or web browser
PIR	
PIR Angle	Horizontal: 100°, vertical: 80°
PIR Range	Up to 15 m
Interface	
Ethernet Interface	1 RJ45 10 M/100 M self-adaptive Ethernet port
On-Board Storage	Built-in memory card slot, support microSD/SDHC/SDXC card, up to 256 GB Built-in 64 GB eMMC storage (50 GB available for recording)
Built-in Microphone	Yes
Built-in Speaker	Yes
Reset Key	Yes
Event	
Basic Event	Motion detection, video tampering alarm, exception, PIR
Linkage	Upload to memory card, notify surveillance center, audible warning, trigger recording, trigger capture, send email

Specification

General	
Power	<p>Power Consumption and Current:</p> <p>Typical power scenarios: 1.85 W (4 G working)</p> <p>Standby scenarios: 40 mW</p> <p>Max. power consumption: 7.2 W</p> <p>Power Supply:</p> <p>12 VDC \pm 25%</p> <p>*For debugging only</p> <p>40 W(deviation: \pm 2 W) Solar panels</p> <p>Power Interface:</p> <p>Power supply interface: Φ5.5 mm coaxial power plug</p> <p>Extended solar panel: four-core aviation connector</p>
General Function	Heartbeat, mirror, privacy mask, flash log, password reset via email, pixel counter
Startup and Operating Conditions	-20 °C to 50 °C (-4 °F to 122 °F). Humidity 95% or less (non-condensing)
Dimension	614.8 mm \times 390.5 mm \times 760 mm (24.2" \times 15.4" \times 29.9")
Package Dimension	837 mm \times 267 mm \times 445 mm (33" \times 10.5" \times 17.5")
Weight	Pre-install plate: approx. 1080 g (2.4 lb.)Bullet camera + bracket + solar panel: approx. 8540 g (18.8 lb.)
With Package Weight	approx. 11860 g (26.1 lb.)
Battery	
Battery Type	Ternary lithium
Capacity	23.2 Ah
Max. Charging Voltage	8.4 V
Operating Temperature	<p>Working Temperature: -20 °C to 45 °C (-4 °F to 113 °F) with built-in battery heater</p> <p>Charging Condition: 0 °C to 45 °C (32 °F to 113 °F) (deviation: \pm 5 °C)</p> <p>Discharging Condition: -20 °C to 60 °C (-4 °F to 140 °F) (deviation: \pm 5 °C)</p>
Battery Voltage	5.5 V to 8.4 V
Cycle Lifetime	Performance mode: 2.5 dayProactive mode: 4.5 day Standby mode: 24 days
Battery Life	More than 500 cycles
Approval	
RF	FCC ID (FCC Part 15.247(BT or 2.4G)); CE-RED (EN 301489-1 V2.1.1(BT or 2.4G); EN 301489-17 V3.1.1(BT or 2.4G); EN 300328 V2.1.1(BT or 2.4G); EN 62311:2008(BT or 2.4G));
EMC	FCC SDoC (47 CFR Part 15, Subpart B); CE-EMC (EN 55032: 2015, EN 61000-3-2:2019, EN 61000-3-3:2013+A1:2019, EN 50130-4: 2011 +A1: 2014);RCM (AS/NZS CISPR 32: 2015)
Safety	CB (IEC 62368-1:2014+A11);CE-LVD (EN 62368-1:2014/A11:2017);LOA (IEC/EN 60950-1)
Environment	CE-RoHS (2011/65/EU); WEEE (2012/19/EU); Reach (Regulation (EC) No 1907/2006)
Protection	IP67 (IEC 60529-2013)
Storage Conditions	-20 °C to 50 °C (-4 °F to 122 °F). Humidity 95% or less (non-condensing)
Language	33 languagesEnglish, Russian, Estonian, Bulgarian, Hungarian, Greek, German, Italian, Czech, Slovak, French, Polish, Dutch, Portuguese, Spanish, Romanian, Danish, Swedish, Norwegian, Finnish, Croatian, Slovenian, Serbian, Turkish, Korean, Traditional Chinese, Thai, Vietnamese, Japanese, Latvian, Lithuanian, Portuguese (Brazil), Ukrainian

Dimension



**Disclaimer: Design and specifications are subject to changes without prior notice.*