

GO PTZ 544D KIT

Commercial 4G LTE Solar Power Camera Kit with Dual-Lens 360° Linkage PTZ



Outstanding Features

- Complete solar power camera kit, easy to install and setup
- 600Wh high capacity lithium battery to keep the system running around 72 hrs on rainy days
- Built-in unlocked industrial 4G LTE router, compatible with AT&T, T-Mobile, and Verizon (SIM Card is not included)
- 4 Megapixels Wide Angle + PTZ dual-lens camera
- 360° endless monitoring, 25x optical zoom
- Supports the linkage between panoramic and PTZ camera, the PTZ camera will track an object that is selected in the panoramic camera
- 24/7 Night ColorVu with F1.0 large aperture and advanced sensor
- Efficient H.265+ compression technology
- Clear imaging against strong backlight due to 130 dB WDR technology
- AI Smart feature with human and vehicle targets classification based on deep learning
- Provide alarm I/O and audio I/O to connect to horn and microphone
- Onboard 256GB storage for one-month continuous recording
- Free mobile App for both Android & iOS (App name: Guarding Vision)
- Optional API document for 3rd party system integration

What is included in this camera:

- Solar panel 100W and pole mount bracket
- 600WH lithium battery with built-in charge controller
- One 4MP Dual-Lens PTZ Camera (IPTZ544D-25X)
- Built-in 4G LTE cellular router (SIM card needs to purchase separately)
- 256GB SD Card

Camera Specification

Camera	[Bullet channel]: 1/3" Progressive Scan CMOS; [PTZ channel]: 1/2.8" progressive scan CMOS
Image Sensor	
Min. Illumination	[Bullet channel]: 0.0005 Lux @ (F1.0, AGC ON), 0 Lux with light; [PTZ channel]: Color: 0.005 Lux @ (F1.6, AGC ON), B/W: 0.001 Lux @ (F1.6, AGC ON), 0 Lux with IR
Shutter Speed	1 s to 1/30,000 s
Slow Shutter	yes
Focus	semi-auto,manual,auto
Zoom	[PTZ channel] 25 × optical, 16 × digital
Day & Night	ICR
Day/Night Switch	day, night, auto, scheduled-switch
White Balance	auto,ATW,sodium lamp,fluorescent lamp,indoor,outdoor,MWB,Locked WB
Max. Resolution	[Bullet channel] 2560 × 1440, [PTZ channel] 2560 × 1440
Lens	
Focal Length	[Bullet channel]: 2.8 mm; [PTZ channel]: 4.8 to 120 mm, 25 × optical
Zoom Speed	[PTZ channel]: approx. 3.6 s
FOV	[Bullet channel]: Horizontal field of view: 96.1°, Vertical field of view: 52.1°, Diagonal field of view: 113.3°; [PTZ channel]: Horizontal field of view: 55° to 2.4° (wide-tele), Vertical field of view: 33° to 1.4° (wide-tele), Diagonal field of view: 61.5° to 2.8° (wide-tele)
Aperture	[Bullet channel]: F1.0; [PTZ channel]: F1.6
Illuminator	
Supplement Light Type	[PTZ channel]: IR; [Bullet channel]: White Light
Smart Supplement Light	Yes
Supplement Light Range	[PTZ channel]: up to 100 m; [Bullet channel]: up to 30 m
PTZ	
Movement Range (Pan)	360°
Movement Range (Tilt)	-15° to 90° (auto flip)
Pan Speed	pan speed: configurable from 0.1° to 80°/s; preset speed: 80°/s
Tilt Speed	tilt speed: configurable from 0.1° to 80°/s; preset speed 80°/s
Proportional Zoom	yes
Presets	300
Patrol Scan	8 patrols, up to 32 presets for each patrol
Pattern Scan	4 pattern scans
Power-off Memory	yes
Park Action	preset,pattern scan,patrol scan,auto scan,tilt scan,random scan,frame scan,panorama scan
3D Positioning	yes
PTZ Status Display	yes
Preset Freezing	yes
Scheduled Task	preset,pattern scan,patrol scan,auto scan,tilt scan,random scan,frame scan,panorama scan,dome reboot,dome adjust,aux output
Exception Detection	IP address conflict, HDD full, illegal login, HDD error, network disconnected, Abnormal Reboot
Video	
Region of Interest (ROI)	8 fixed regions for each stream
Stream Type	main stream,sub-stream,third stream
Main Stream	[Bullet channel]: 50 Hz: 25 fps (2560 × 1440, 1920 × 1080, 1280 × 960, 1280 × 720) 60 Hz: 30 fps (2560 × 1440, 1920 × 1080, 1280 × 960, 1280 × 720) [PTZ channel]: 50 Hz: 25 fps (2560 × 1440, 1920 × 1080, 1280 × 960, 1280 × 720) 60 Hz: 30 fps (2560 × 1440, 1920 × 1080, 1280 × 960, 1280 × 720)
Sub-Stream	[Bullet channel]: 50 Hz: 25 fps (704 × 576, 640 × 480, 352 × 288) 60 Hz: 30 fps (704 × 480, 640 × 480, 352 × 240) [PTZ channel]: 50 Hz: 25 fps (704 × 576, 640 × 480, 352 × 288) 60 Hz: 30 fps (704 × 480, 640 × 480, 352 × 240)
Third Stream	[Bullet channel]: 50 Hz: 25 fps (1920 × 1080, 1280 × 960, 1280 × 720, 704 × 576, 640 × 480, 352 × 288) 60 Hz: 30 fps (1920 × 1080, 1280 × 960, 1280 × 720, 704 × 480, 640 × 480, 352 × 240) [PTZ channel]: 50 Hz: 25 fps (1920 × 1080, 1280 × 960, 1280 × 720, 704 × 576, 640 × 480, 352 × 288) 60 Hz: 30 fps (1920 × 1080, 1280 × 960, 1280 × 720, 704 × 480, 640 × 480, 352 × 240)
Video Compression	H.265,H.264,MJPEG

Camera Specification

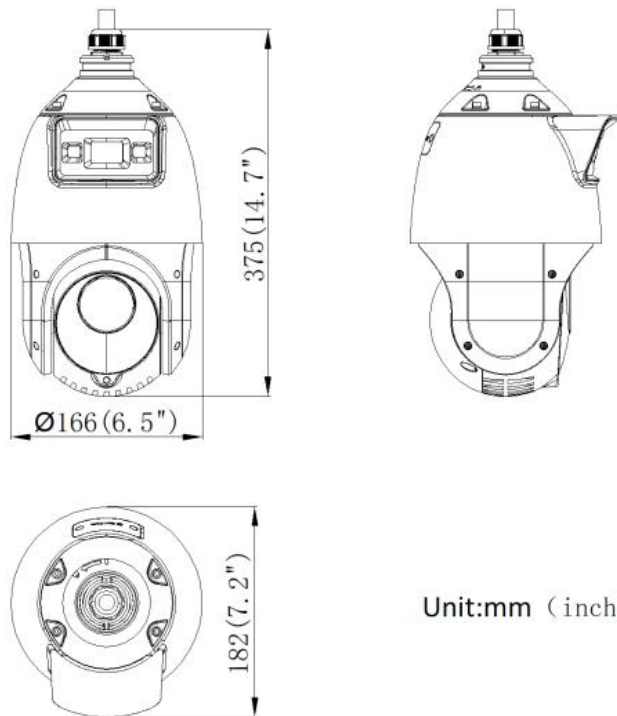
Video Bit Rate	32 kbps to 16384 kbps
H.264 Type	baseline profile,main profile,high profile
H.265 Type	main profile
H.264+	yes
H.265+	yes
SVC	yes
Audio	
Audio Compression	G.711,G.722.1,G.726,MP2L2,PCM,AAC-LC
Audio Bit Rate	32 to 160 Kbps (MP2L2),16 to 64Kbps (AAC-LC)
Audio Sampling Rate	8 kHz,16 kHz,32 kHz,48 kHz
Environment Noise Filtering	yes
Smart Features	
Smart Record	ANR,Dual-VCA
Network	
API	Open Network Video Interface (Profile S, Profile G, Profile T),ISAPI,SDK,ISUP
Network Storage	NAS (NFS, SMB/ CIFS), ANR
Protocols	IPv4/IPv6,HTTP,HTTPS,802.1x,Qos,FTP,SMTP,UPnP,SNMP,DNS,DDNS,NTP,RTSP,RTCP,RTP,TCP/IP,UDP,IGMP,ICMP,DHCP,PPPoE,Bonjour,WebSocket,WebSockets
Simultaneous Live View	20
User/Host	32
Security Measures	Authenticated username and password,MAC address binding,HTTPS encryption,802.1X authenticated access,IP address filter
Client	Guarding Vision
Web Browser	IE 10+, Chrome 57+, Firefox 52+, Safari 12+
Image	
Image Settings	sharpness, saturation, brightness, contrast
Wide Dynamic Range (WDR)	120 dB
SNR	≥ 52 dB
Defog	Digital defog
Image Stabilization	EIS
Image Enhancement	BLC,HLC,3D DNR
Regional Focus	Yes
Regional Exposure	Yes
Image Parameters Switch	Yes
Privacy Mask	[Bullet channel] 8 programmable polygon privacy masks, [PTZ channel] 24 programmable polygon privacy masks; mask color or mosaic configurable
Interface	
Communication Interface	RJ45, self-adaptive 10M/100M Ethernet port
On-board Storage	Built-in memory card slot, support Micro SD/Micro SDHC/Micro SDXC, up to 256 GB
Alarm Input	1 alarm input
Alarm Output	1 alarm output
Audio Input	1 audio input, 2.0 to 2.4Vp-p, 1k Ohm±10%
Audio Output	1 audio output, line level, impedance: 600 Ω
Event	
Basic Event	motion detection, video tampering alarm, alarm input and output, exception
Smart Event	audio exception detection, line crossing detection, intrusion detection, region entrance detection, region exiting detection
Alarm Linkage	Upload to FTP/NAS/memory card, notify surveillance center, send email, trigger alarm output, trigger recording
Deep Learning Function	
Face Capture	[Bullet channel] no,[PTZ channel] yes
General	
General Function	mirror,password protection,watermark,IP address filter
Power	12VDC, PoE+
Power Consumption and Current	Max. 24 W, including max. 2.6 W for heater and max. 11 W for supplement light
Operating Conditions	-30°C to 65°C (-22°F to 149°F),humidity lower than 90%RH
Reset	yes
Demist	Demist by heating the glass
Material	ADC12
Dimensions	Ø 166 mm × 375 mm (Ø 6.5" × 14.7")
Weight	Approx. 2.4 kg (13.2 lb.)
Approval	
Protection	IP66 Standard, 6000 V Lightning Protection, Surge Protection and Voltage Transient Protection

DORI

The DORI (detect, observe, recognize, identify) distance gives the general idea of the camera ability to distinguish persons or objects within its field of view. It is calculated based on the camera sensor specification and the criteria given by EN 62676-4: 2015.

DORI	Detect	Observe	Recognize	Identify
Definition	25 px/m	63 px/m	125 px/m	250 px/m
Distance (Tele)	2200.0 m (7217.85 ft)	873.0 m (2864.17 ft)	440.0 m (1443.57 ft)	220.0 m (721.78 ft)

Dimension



4G LTE Router Specification

4G LTE Bands	US Version: B2/B4/B5/B12/B13/B14/B66/B71@FDD LTE (For North America, AT&T, T-Mobile, Verizon)
	EU Version: B1/B3/B5/B7/B8/B20/B28A@FDD LTE (For European Countries)
	AU Version: B1/B2/B3/B4/B5/B7/B8/B28@FDD LTE, B40@TDD LTE (For Australia)

Battery Specification

SKU	Solar-S1250
Battery Type	Lithium Solar Battery (Li-ion Battery) with built-in charge controller
Nominal Voltage	11.1V
Rated Capacity	50Ah
Energy	555Wh
Charge Voltage CutOff	12.5V
Maximum Continuous Charge Current	10A
Discharge Under-Voltage Protection	9V
Reconnect Voltage	10.5V
Dimension	330 x 160 x 90 mm (12.99" x 6.3" x 3.54")
Weight	4.5kg (9.92 Lbs)

Solar Panel Specification

Solar Panel Type	Monocrystalline solar panels, 36 cells
Maximum Power at STC	100W
Optimum Operating Voltage (Vmp)	20.4V
Open-Circuit Voltage (Voc)	24.3V
Optimum Operating Current (Imp)	4.91A
Short-Circuit Current (Isc)	5.21A
Operating Temperature	-40°F to 176°F
Panel Leads (Pair)	14 AWG (1.96 ft)
Weight	14.1lbs/6.4kg
Dimension	41.8 x 20.9 x 1.38 in