

EOC-Switch08

8-Port EOC & POE Hybrid Switch, Up to 2,500ft POE + Data Transmission over Cat5E Network Cable or Coaxial Cable



Features

This is a unique 8-Port EOC & POE Hybrid Switch, featuring built-in 8 EOC-Receiver. When working with EOC-Transmitter or ePOE IP cameras, it can transmit PoE power and data up to 2,500ft over Cat5E network cable or coaxial cable (EOC-Adapter is required).

- Up to 2,500ft POE+Data transmission over Cat5E network cable or coaxial cable
- Layer-2 switch, unmanaged
- Conform IEEE802.3, IEEE802.3u, IEEE802.3ab/z and IEEE802.3X standards
- Supports IEEE802.3af, IEEE802.3at, Hi-PoE standard
- Industrial wide temperature design
- Port indicator light is to display the status of current transmission mode for the port, which includes IEEE, E100 and E10
- Total POE budget 120W (Port1,5≤60W, Port2,3,4,6,7,8≤30W)

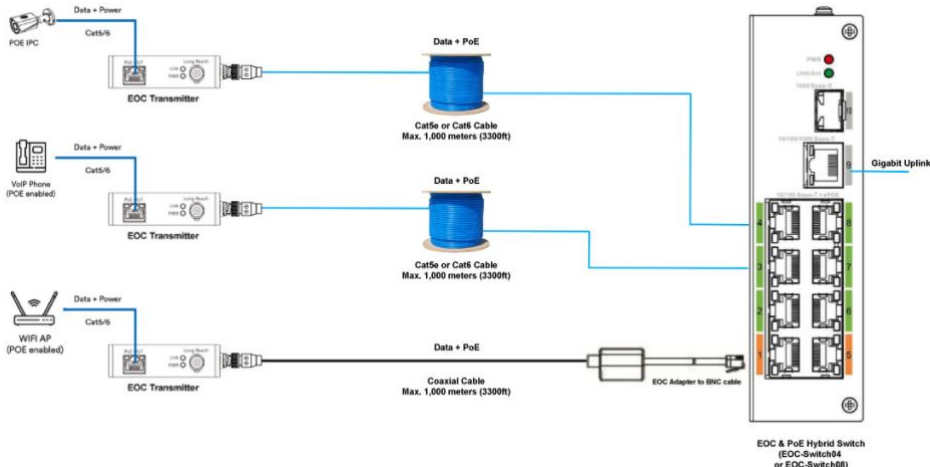
Specification

Ethernet Port	1*1000 Base-X 1*10/100/1000 Base-T 8*10/100 Base-T(PoE power supply)
PoE Power Consumption	Port1,5≤60W, Port2,3,4,6,7,8≤30W, Total≤120W
PoE Protocol	IEEE802.3af, IEEE802.3at, Hi-PoE
Switching Capacity	8.8Gbps
Flow Control	Enable by default
Power	DC48~57V power adapter
Lightning Protection	Common Mode 4KV Differential Mode 2KV
Working Temperature	-30°C~65°C; Humidity 10%~90%
Weight	0.59kg (1.3 lbs)
Dimension(W×D×H)	150mm×100mm×42mm (5.91" x 3.94" x 1.65")

Transmission Performance
(power supply voltage 53V CAT5E/CAT6, max. DC resistance < 10Ω/100m)

Cable (m)	Bandwidth (Mbps)	PoE Load Capacity (W)	Hi-PoE Load Capacity (W)	Working Mode
100	100	25.5	53	IEEE/E100
200	100	25.5	47	E100
300	100	25.5	32	E100
400	10	23	26	E10
500	10	20	20	E10
800	10	13	13	E10

Application



* Product specifications may change without prior notice.