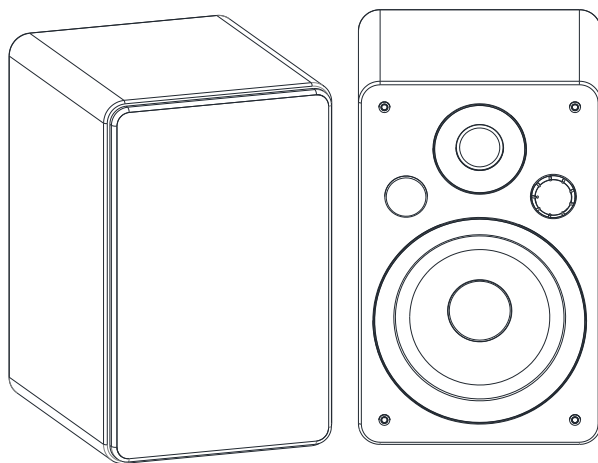


peachtree



M 25

POWERED SPEAKER SYSTEM

M25

POWERED SPEAKER SYSTEM

- ▶ Safety
- ▶ Information
- ▶ Front & Rear Panels
- ▶ Remote Control
- ▶ Connecting Speakers & Using Bluetooth
- ▶ USB DC Port
- ▶ Phono Input
- ▶ Aux Input
- ▶ USB & Optical Inputs
- ▶ Warranty and Repair
- ▶ Specifications

***Congratulations on your new M25 Powered Speaker System.
Please take a few minutes to read this manual to understand its
features and operation. Thank you and enjoy!***

***You can register your M25 at:
www.peachtreeaudio.com/support/product-registration.html.***

SAFETY INSTRUCTIONS

Please store this instruction manual for future reference.

- ❶ Do not use this product near water or moisture. Clean only with a dry cloth. Unplug this product from the wall outlet before cleaning.
- ❷ Place the unit on a solid surface. Do not block any ventilation openings.
- ❸ Do not put it in a closed bookcase or a cabinet that may keep air from flowing through its ventilation openings.
- ❹ Do not install near any heat sources, such as radiators, heat registers, stoves or other appliances that produce heat.
- ❺ Protect the power cord from being walked on or pinched, particularly at plugs and the point where they exit from the product.
- ❻ Servicing is required when the product has been damaged. Do not attempt to service this product yourself. Opening or removing covers may expose you to dangerous voltages or other hazards. Please contact the manufacturer to be referred to an authorized service center near you.
- ❼ To prevent risk of fire or electric shock, avoid over loading wall outlets, extension cords, or integral convenience receptacles.
- ❽ Do not let objects or liquids enter the product.
- ❾ Use proper power sources. Plug the product into a proper power source, as described in the operating instructions or as marked on the product.



INFORMATION

Unpacking

These speakers were carefully tested and inspected during production. After unpacking please check for any damage. It is rare that a unit is damaged during shipping, but if this has occurred, please contact the seller immediately.

We recommend that you retain the original carton and packing material in the event shipping is required in the future.

Recommended Speaker Setup

Proper speaker placement has a major impact on sound. All rooms and tastes are different so some experimentation to find what works best for you is encouraged.

For the best bass response, we recommend keeping a minimum distance of 10-inches/25cm between the speakers and the rear wall. Aim the baffle of the speaker towards your head if possible. Toeing them inward will provide more pinpoint imaging and aiming them straight ahead will provide a greater sense of spaciousness.

Use the optional rubber stands if the speakers are located on a desk or other surface below head level. They will aim the speaker upward and provide some additional isolation between the speakers and the surface they are resting on.

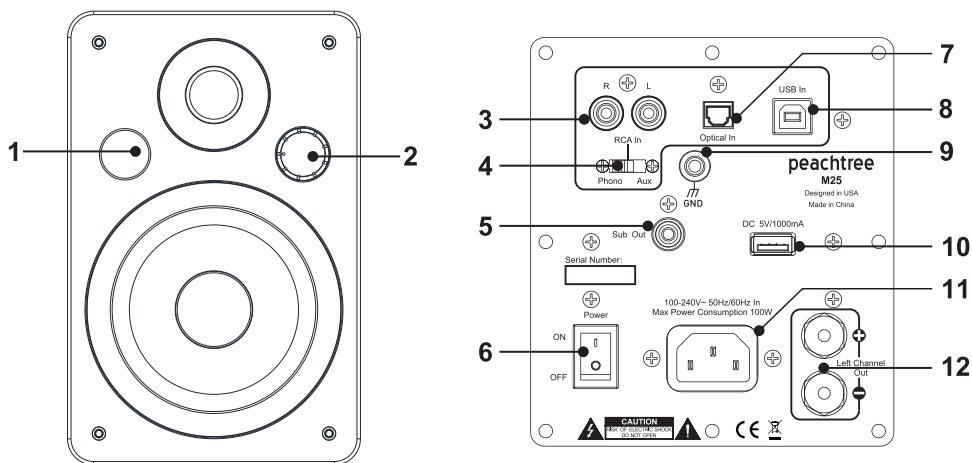
Speaker Conditioning and Break-in

Although a break-in period is not required, we recommend that you play between 24 to 48 hours of music through the speakers before doing any critical listening.

Speaker Cleaning

We do NOT recommend using any solvents or cleaners on the cabinets or drivers. Just wipe the cabinets with a soft, dry cloth as needed.

FRONT & REAR PANELS



1 Status LEDs & IR Receiver Window:

- Red: Standby
- Blinking RED: Mute
- White: Optical Input
- Green: RCA Input (Phono/Aux Input)
- Orange: USB Input

2 **Volume Up/Down & Input Select:** Rotate clockwise/counter-clockwise to increase/decrease the volume level. Push to toggle through inputs.

3 **RCA Input:** For line-level or Phono input. Please make sure the switch below is set to Phono when using a turntable and to Aux when using a line-level source such as a CD player, TV or cable box.

4 **RCA Input Switch (Phono/Aux):** Switches the RCA input between Phono and Aux (line-level) input modes.

5 **SUB Out:** For connection to an external subwoofer if desired.

6 **Power On / Off:** Connects and disconnects AC mains power. We recommend turning the power off if the speakers will not be used for an extended period of time.

7 **Optical Digital Audio Input:** For digital audio source input up to 24/96 PCM. Utilizes the internal DAC.

8 **USB Audio Input:** For connection from a Mac or PC. Accepts up to 24/96 PCM audio using a USB-A to USB-B cable commonly used to connect a computer to a printer or other peripheral USB device.

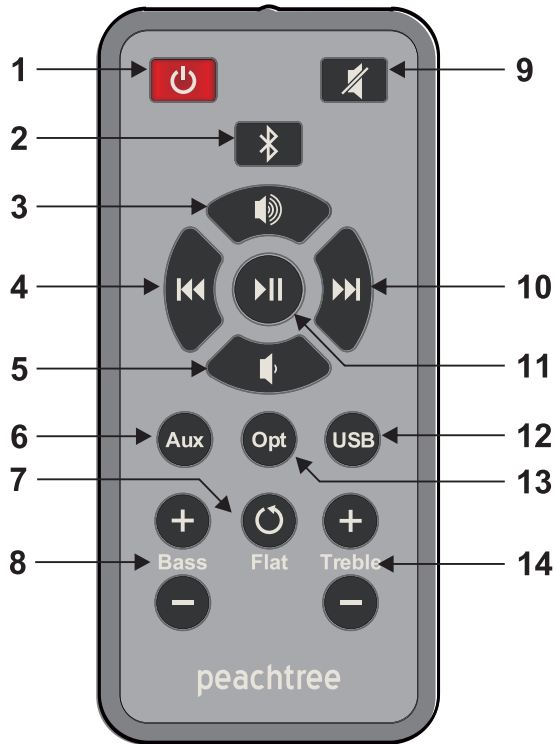
9 **Ground Screw Terminal:** For connection from a turntable ground.

10 **USB Power Port:** NOT an Audio input. Provides 5V/1A DC to power or charge a USB device. Recommended to power an outboard Wi-Fi receiver or to charge your mobile phone.

11 **AC Input:** Connects to a wall socket for AC power input.

12 **Left Speaker Output:** Connects to the left speaker for proper stereo operation.

REMOTE CONTROL



① Toggles between On and Standby

② Selects the Bluetooth input

③ Increases the volume

④ Selects the previous track

⑤ Decreases the volume

⑥ Selects the RCA (Phono/Aux) Input

⑦ Resets the bass and treble controls

⑧ Increases and decreases bass

⑨ Toggles mute on and off

⑩ Selects the next track

⑪ Toggles between play and pause

⑫ Selects the USB input

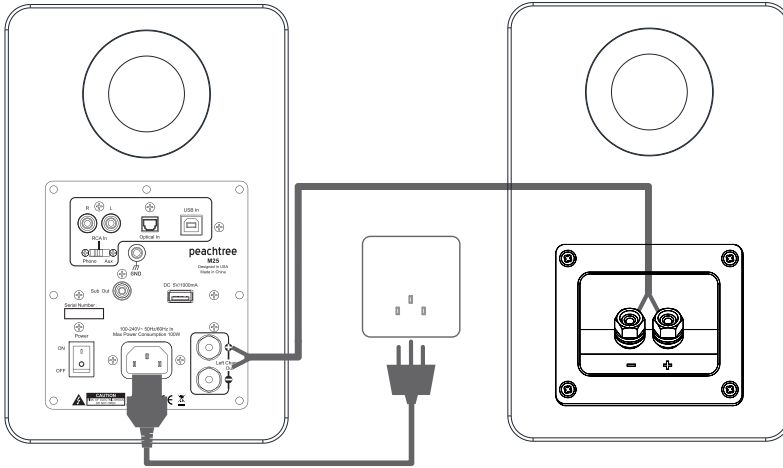
⑬ Selects the Optical input

⑭ Increases and decreases treble

CONNECTING SPEAKERS & USING BLUETOOTH

Connecting your speakers

- 1: Connect the RED(+) and BLACK(-) terminals from the left speaker to the corresponding terminals on the right speaker using the included speaker cable. Insulation on cable must be stripped on all ends. *Note: Because this system is self-powered, do not connect the speaker terminals to the speaker outputs of a stereo receiver.*
- 2: Connect the power cord into the left speaker and the other end into the wall outlet.



Bluetooth Function

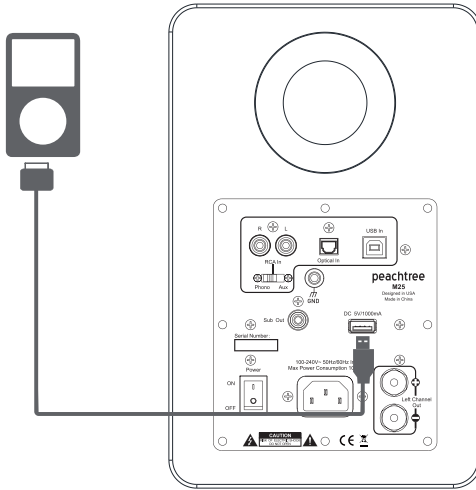
Pairing a Bluetooth audio device to the M25:

If you have a Bluetooth equipped audio device, such as phone, music player, or computer and wish to connect it wirelessly to the M25, you need to pair them first:

1. Power on the M25 and select the Bluetooth input. The blue LED will be blinking.
2. Go to the Bluetooth menu on your Bluetooth audio device and select "Peachtree M-Speaker". This may take a few seconds to appear. If a pairing code is required enter; "1234" or "0000."
3. Once paired, the M25 will beep and the input LED will turn solid blue. You may now begin playing audio from the paired device.
4. The paired Bluetooth device should automatically connect to the M25 whenever it is within wireless range. If it doesn't, simply select "Peachtree M-Speaker" from the Bluetooth menu of the paired device. This is normal.
5. To connect a new Bluetooth audio device to the M25, make sure the currently paired device is either out of range, the Bluetooth function is turned off or "Peachtree M-Speaker" is forgotten in the Bluetooth menu of the currently paired device. This will allow the M25 to pair to a different Bluetooth audio device. The M25 can connect to one Bluetooth audio device at a time.

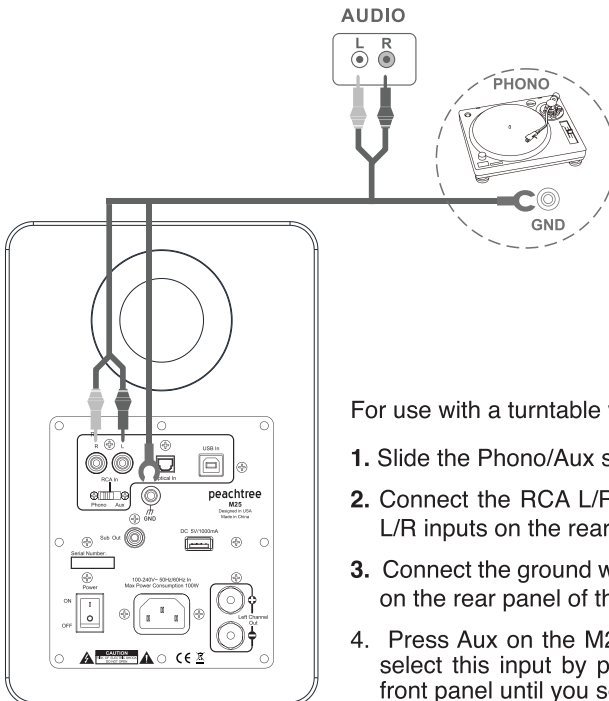
Note: The Play/Pause, Next and Previous buttons on the remote should control your Bluetooth audio device if it supports Bluetooth Audio/Video Remote Control Profile (AVRCP).

USB DC PORT



The USB port is designed to power or charge a connected USB device (Wi-Fi module, mobile phone, portable audio player, etc.). Note: No audio will be sent to the speaker through this USB port.

PHONO INPUT

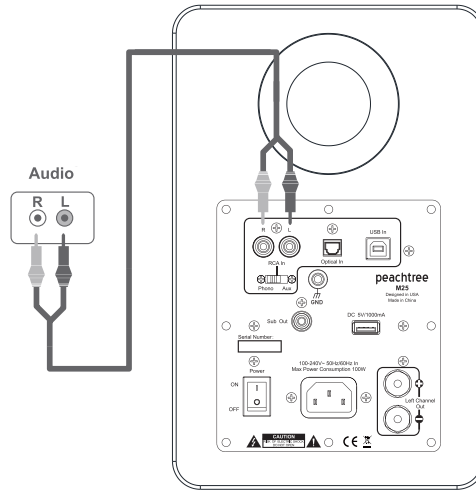


For use with a turntable without a built-in phono pre-amp.

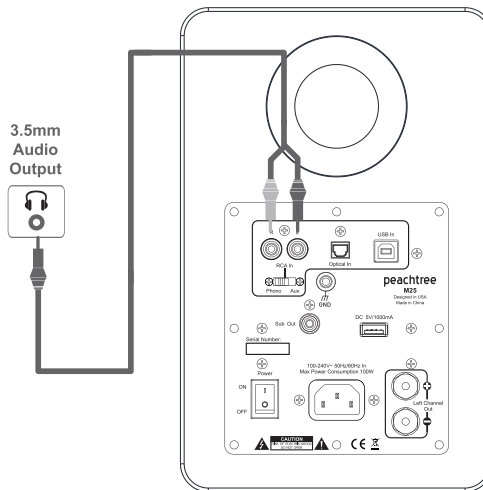
1. Slide the Phono/Aux switch to the Phono position.
2. Connect the RCA L/R from your turntable to the RCA L/R inputs on the rear panel of the M25.
3. Connect the ground wire from the turntable to the GND on the rear panel of the M25.
4. Press Aux on the M25 remote control. You can also select this input by pressing the volume knob on the front panel until you see the green LED.

AUX INPUT

RCA output from audio device.



3.5mm output from audio device.



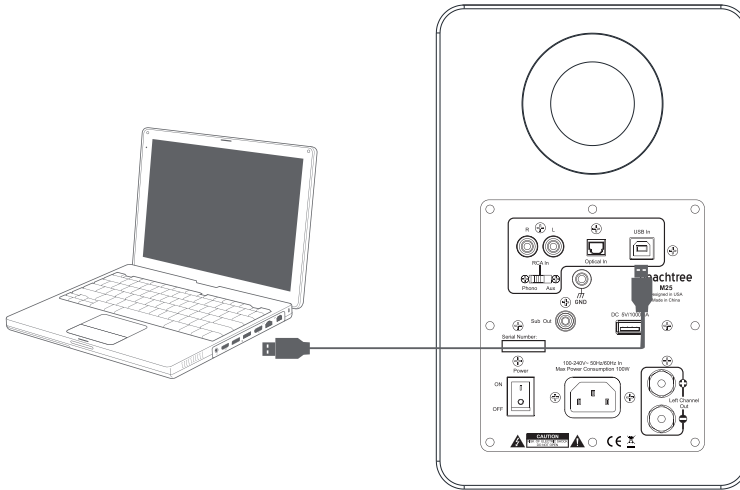
Using the Aux Input

1. Slide the Phono/Aux switch to Aux position.
2. Connect the RCA L/R or 3.5mm from your audio device to the RCA L/R inputs on the rear panel of the M25.
3. Press Aux on the M25 remote control.

USB & OPTICAL INPUTS

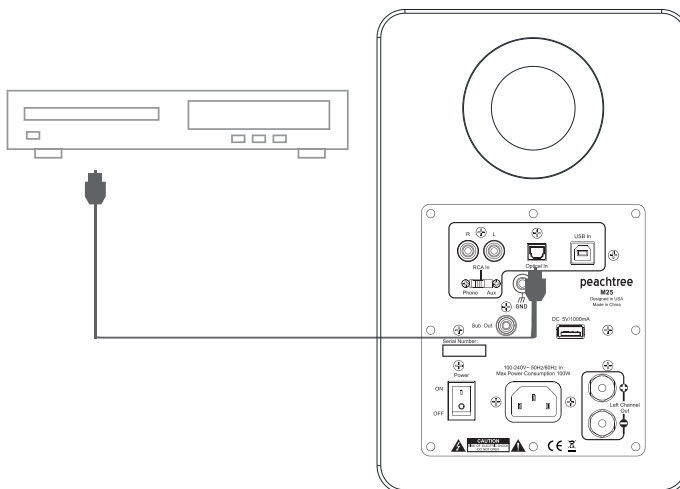
USB output from computer.

1. Connect the USB output from your computer to the USB In on the rear panel of the M25.
2. Press USB on the M25 remote control. You can also select this input by pressing the volume knob on the front panel until you see the orange LED.



Optical output from audio device.

1. Connect the optical output from your audio device to the Optical In on the rear panel of the M25.
2. Press Opt on the M25 remote control. You can also select this input by pressing the volume knob on the front panel until you see the white LED.



WARRANTY AND REPAIR

International Warranty

Peachtree Audio warrants this product for one (1) year, parts and labor, from the original date of purchase from an authorized Peachtree Audio re-seller.

Peachtree Audio reserves the right to refuse any warranty claims if coverage cannot be verified by a valid proof of sale or serial number. Peachtree Audio assumes no responsibility for product failures caused by accident, neglect, misuse, modification or unauthorized repair.

Warranty does not cover shipping costs. Visit www.peachtreeaudio.com for complete warranty details.

Repair Process

In the event that a product fails, please repack it in its original carton and contact an authorized Peachtree reseller for further instructions. If the reseller is unable to assist, please contact Peachtree Audio directly at service@peachtreeaudio.com or +1-704-391-9337 to obtain a Return Authorization (RA) number *prior* to shipping the product.

Any products received without an RA number may be misdirected and repair delayed.

If a RA number is issued by Peachtree Audio, please ship the product using FedEx or UPS. Do not ship using a Postal Service. Peachtree Audio assumes no responsibility for products in transit. Please insure the shipment for the product's replacement value in the unlikely event it is lost, stolen or damaged in transit.

US Shipping Address:

12777 East Independence Blvd
Suite C
Matthews NC 28105
USA

www.peachtreeaudio.com

SPECIFICATIONS

Tweeter	1 inch soft-dome
Woofers	5.25 inch Fiberglass cone
Nominal impedance	4 Ohm
Sensitivity 2.83V(1W/1M)	85dB
Power Output	2x50 W
Frequency Response	50Hz - 20kHz
Crossover System	2-way
Amplifier Type	Class D
Amplifier Input Sensitivity	500mV (Line RCA)
THD (1W@1KHz)	< 0.1%
Dimensions (speaker with electronics built-in)	168x204x260mm 6.6 inch x 8.0 inch x 10.2 inch
Net Weight (speaker with electronics built-in)	3.95 Kg / 8.7 lb

peachtree