

iWaterSwitch

INTELLIGENT RAINWATER CONTROLLER

iWaterSwitch encompasses new intelligent features and a contemporary design resulting in a highly dependable rainwater harvesting unit that recreates the industry benchmark. The iWaterSwitch is a fully automatic device that is designed to seamlessly switch between stored rainwater and mains water supply when required to supply toilets, laundry, garden and other non-potable water applications. The all new iWaterSwitch displays real time flow rate, pressure and current readings as well as recording rainwater used so that you can track your savings.



KEY FEATURES

- Fully functional LCD display
- Realtime flow rate, pressure and current readings
- Adjustable cut-in, cut-out flow and max-run time
- Data recording of rainwater used
- Switching between float and floatless operation via a simple change of setting
- Fully interchangeable with the Onga MkII WaterSwitch
- Direct acting solenoid for more robust and reliable operation

APPLICATIONS

For use in laundry, toilet, washdown, irrigation and other non-potable water purposes.

INFORMATION

iWaterSwitch automatically switches between harvested rainwater and mains water. It features all the benefits of its predecessors plus the flexibility of adjustable cut-in and cut-out flow rates, minimum pressure and maximum run time making it the ideal water saving device in all mains water fed homes. It can be mounted directly to a surface mounted pump or may be wall mounted in the case of pairing with a submersible pump.

iWaterSwitch is a Pentair ecoselct solution with Watermark approval and AS/NZS 4020 certification that is ideally paired with the Onga MULTI EVO 3, JS Series, TANKBUDDY and DOMINATOR range.

OPERATING CONDITIONS

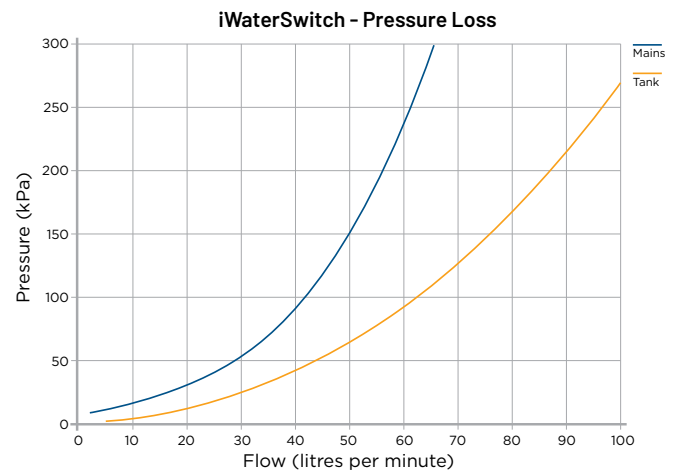
Suitable for use with mains water and clean water without solids or fibres.

Minimum flow rate:	1 L/min
Minimum pressure (mains):	100 kPa
Maximum pressure (mains)	1000 kPa
Minimum liquid temperature:	1°C
Maximum liquid temperature:	40°C
Minimum ambient temperature:	1°C
Maximum ambient temperature:	40°C

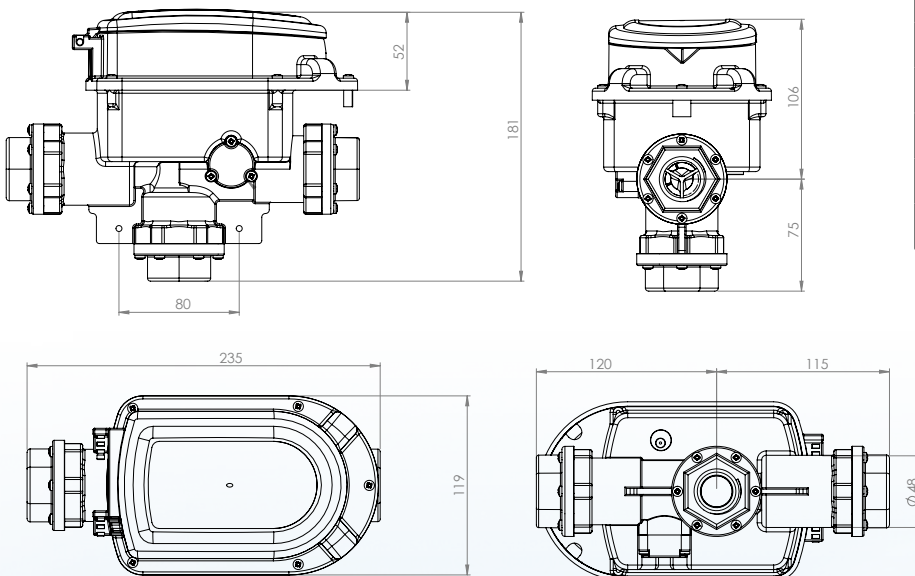
ELECTRICAL DATA

Rated Supply Voltage	230-240 VAC, Single Phase
Standby Power Consumption (Mains)	3.5W
Control Power (ON), Pump and Tank	30W
Maximum Electrical Load	10A/2400W
IP Rating	IP44
Cable	H07RN-F
Cable Length	2 m

PERFORMANCE



DIMENSIONS (PORTS 1" BSP FEMALE)



ACCESSORIES

PART NO.	DESCRIPTION
801481	Waterswitch Exceed Wall Mount Kit
801439	Barrel Union Kit Waterswitch
707170	Float Switch Tank
707171	Ext. Lead Float Switch (10m)
707301	Inline Terminal Block M20



1-21 Monash Drive | Dandenong South, VIC 3175 | Australia | 1300 137 344 | pentair.com.au

Information contained here-in remains the property of Pentair under Australian copyright law. Content may not be reproduced or transmitted without our prior written permission.

© 2022 Pentair. All rights reserved. This document is subject to change without notice.