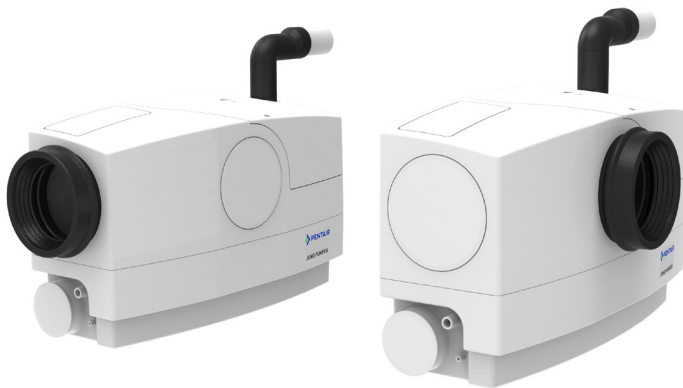


WCFIX PLUS

COMPACT SEWAGE LIFTING STATION



FEATURES

- Compact and sophisticated design with easy-to-clean surfaces.
- Ventilation valve with activated carbon filter.
- Powerful yet quiet motor.
- Acoustic alarm to signal faults including blockage.
- Up to 19 mm free passage comfortably discharging toilet paper and faeces.
- For installation behind a front-wall or with a direct connection (to the toilet).
- Easy disassembly of the motor with no need to empty the pressure pipe.

The **WCFIX Plus** is the ideal solution for domestic and light commercial toilet pumping applications in situations where the required discharge pipe run from toilet to sewer is higher, longer, has multiple bends such that other toilet pump units cannot operate/perform. This pump also features anti-flooding hose for overflow and buoyancy protection.

Hands-free Operation

Carrying out maintenance and rectifying faults has never been so quick, clean and trouble-free. Pump is disassembled in seconds.

Outstanding Adaptability

A new application in just a few easy steps. Transforms from a front-wall lifting station to a direct connection lifting station in an instant!

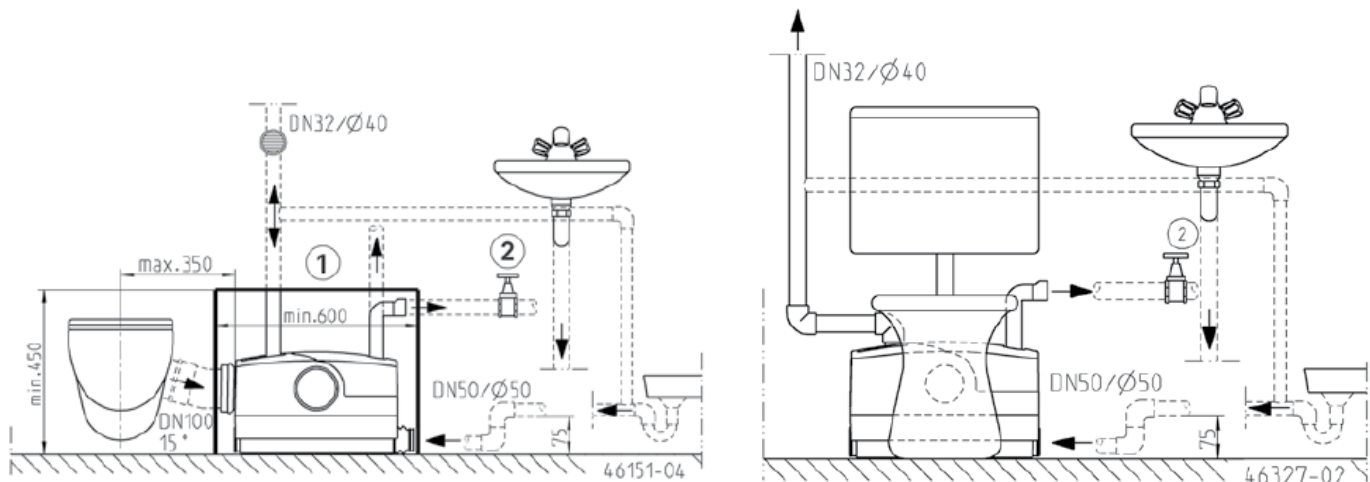


WCFIX PLUS - Technical Data

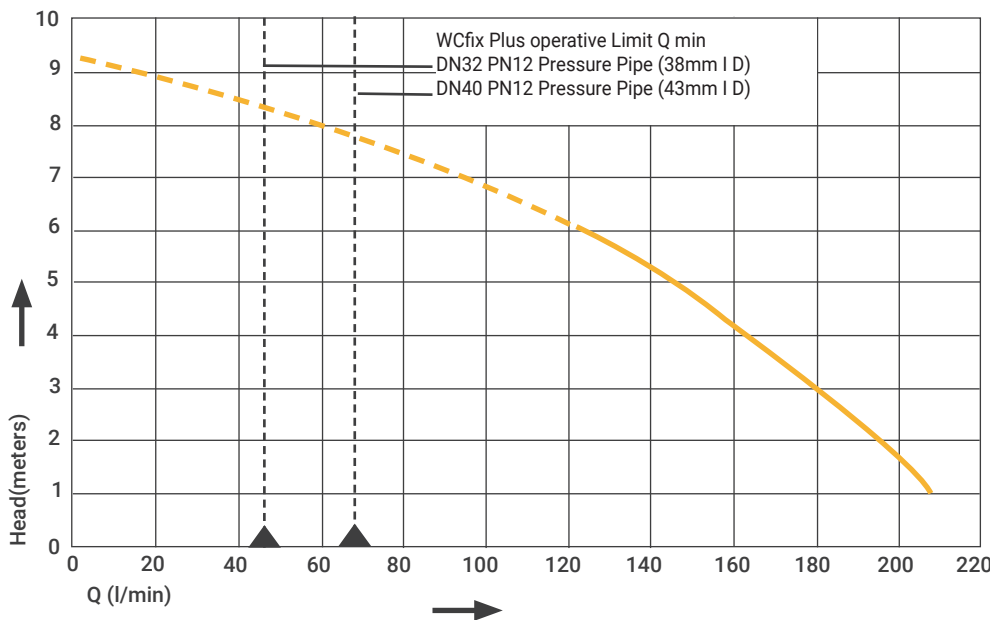
THE ALL-ROUNDER WCFIX PLUS

One unit for all applications! Whether hidden behind a modern front-wall system or connected directly to a floor-standing toilet, all types of connection can be made with ease with the WCFix Plus. All of the necessary installation accessories are provided which makes it relatively easy to assemble and disassemble.

This integrated pump has four different inlet openings that provide flexible connection options. This means that a shower, a washbasin, a bidet and a toilet can be connected into the one unit all at the same time! The appliance is pre-assembled, ready for connection to a power socket and operates fully automatically as soon as the flush is actuated.

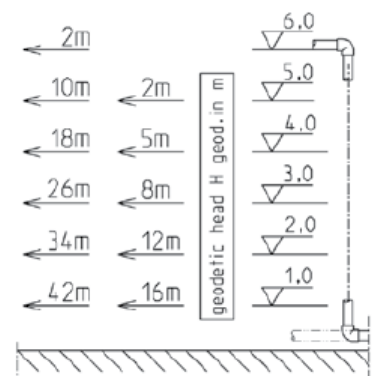


PERFORMANCE



Max. horizontal length of pressure pipe incl. 2 elbows and a swing-type check valve 1 1/4"

NW 40 and Ø36LW	NW 32 and Ø28LW
-----------------------	-----------------------



WCFIX PLUS - Technical Data

TECHNICAL DATA

Type	P/No.	Voltage ± 10%	Motor Rating		Current	Enclosure Type	Motor Protection	Plug	S3
			P1	P2					
WCFIX PLUS	JP47402	230VAC 50Hz	0.73 kW	0.47 kW	3.2 A	IP 44	Installed in the winding	ANZ 10A	30%

MATERIAL CONSTRUCTION

Seal on Motor Side	Oil Chamber	Seal on Medium Side	Shaft	Impeller	Motor Housing	Pump Housing	Weight
Rotary shaft seal	Yes	Rotary shaft seal	Stainless steel	Vortex Impeller, GFK	Stainless steel	GRP	6.2 kg

SPECIFICATIONS

Voltage	Motor rating P1 (W)	Weight kg	Hmax m	Qmax l/min	Dimensions (H x W x D mm)	Inlets mm	Outlets mm	Max. water temp.	Code no.
230VAC 50Hz	720	6.2 kg	9	208	280 x 460 x 170	1 x Ø40 2 x Ø50 1 x Ø100	1x Dn25/DN32	35°C	JP47402

FLOW RATE

Deliver Head H (m)	1	2	3	4	5	6
Flow rate Q (l/min)	208	196	183	163	146	125

DIMENSIONS

