

VF150

CAST IRON VORTEX SUBMERSIBLE DRAINAGE PUMP



FEATURES

- Strong and durable iron pump body.
- 15mm soft solids possible.
- Vortex impeller.
- Lip seal and dual mechanical seal.
- Float switch.
- Moisture sealed cable inlet.
- Max head - 7m.
- Max flow - 150lpm.



APPLICATIONS

- Disposal of waste water, septic effluent water and grey water of a neutral pH.
- Dewatering (clean water).
- Water treatment circulation.

PUMP INFORMATION

Vertical, single-stage, submersible pump capable of pumping soft solids up to 15mm in diameter. Polycarbonate vortex impeller with cast iron casing, feet and 1¼" BSP (female) discharge port. 304SS motor casing.

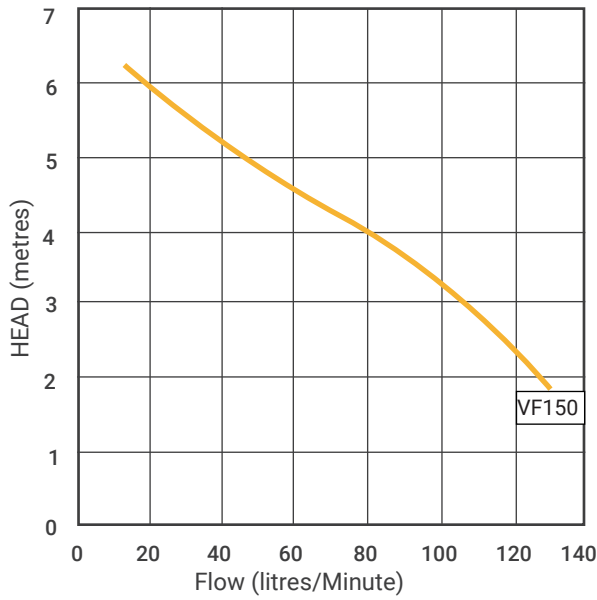
Pump casing:	Cast iron.
Impeller:	Polycarbonate.
Motor shaft:	304SS.
Mechanical seal:	Carbon ceramic mechanical seal and lip seal.
IP Rating:	IP68.

OPERATING CONDITIONS

Drainage pump for the disposal of waste water, including rainwater, septic effluent water and grey water of neutral pH containing soft particles up to 15mm diameter. Install pump vertically (hose connection possible).

Fluid:	Water
Maximum water temperature:	40°C
Minimum water temperature:	1°C
Maximum submergence:	6m
Pump on level (factory set):	500mm
Pump off level:	75mm

VF150 - Technical Data

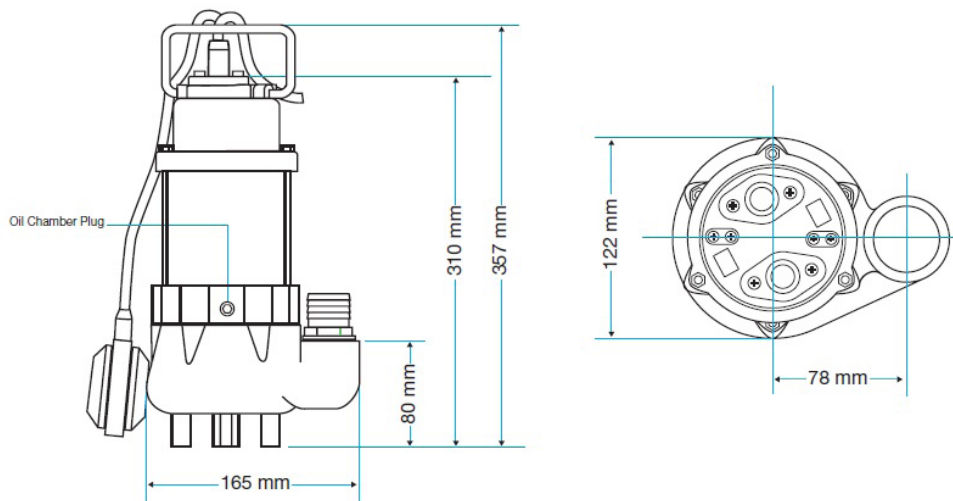


PERFORMANCE

Type	P/No	Delivery head H (m)	1	2	3	4	5	6
VF150	VF150	Flow rate capacity (lpm)	-	128	106	78	47	19

ELECTRICAL DATA

Type	Type of current	Voltage $\pm 10\%$	Frequency Hz	Motor rating kW	Normal RPM	Locked rotor current ampere	Current ampere	Motor protection	Insulation class	Cable length
VF150	1-phase	230	50	0.18	2850	9.5	1.75			6 m



DIMENSIONS

Type	Maximum L x W x H	Weight approx.	Packed L x W x H	Packed weight	Discharge branch	Free passage	Continuous operating temperature range
VF150	122 x 165 x 357 mm	9 kg	200 x 200 x 380 mm	10 kg	1 1/4" BSP (female)	10mm	1° - 40°