

ULTRATEMP® VX

HIGH PERFORMANCE HEAT PUMP



FEATURED HIGHLIGHTS:

- High-performance, affordable heat pump with premium features.
- Energy efficiency among the highest in its class with COP ratings far in excess of standard heat pumps.
- Titanium threaded heat exchanger.
- Intuitive LCD touch screen.
- Heats, cools and offers auto defrost.
- Corrosion protection Hydrophilic Evaporator Coating.
- Filter dryer eliminates ice and dirt block and also attenuates noise for quiet operation.
- 15 years warranty*

The UltraTemp heat pump is the best choice for pool heating. The UltraTemp offers best in class efficiency with COP ratings far in excess of standard heat pumps and is also equipped to automatically heat or cool your pool water based on temperatures you set.

Select the heating or cooling mode and the intelligent thermostat will command the heat pump to heat or cool the water to your selected temperature so you can swim in comfort all year long, rain hail or shine.

ORDERING INFORMATION

Product	Description	Capacity kW (@24C Air)	COP	Power Input kW	Voltage	Current	Carton Dim.	Carton Wt (Kgs.)	Pallet Qty.
ULTRATEMP HEAT PUMPS									
UTHP-5-VX	UltraTemp VX, 5kW	5.65	5.53	1.02	230-240V / 50Hz	6.2A	830 x 724 x 662mm	81	4
UTHP-9-VX	UltraTemp VX, 9kW	9.52	6.21	1.53	230-240V / 50Hz	10A	830 x 724 x 662mm	81	4
UTHP-12-VX	UltraTemp VX, 12kW	12.02	6.02	2.00	230-240V / 50Hz	14.4A	830 x 724 x 662mm	89	4
UTHP-15-VX	UltraTemp VX, 15kW	15.10	6.01	2.51	230-240V / 50Hz	16.6A	830 x 724 x 662mm	95	4
UTHP-17-VX	UltraTemp VX, 17kW	17.03	6.05	2.81	230-240V / 50Hz	22.1A	960 x 826 x 757mm	107	1
UTHP-21-VX	UltraTemp VX, 21kW	21.27	6.02	3.53	230-240V / 50Hz	27.1A	960 x 826 x 757mm	116	1
UTHP-25-VX	UltraTemp VX, 25kW	25.08	6.01	4.17	400-415V / 50Hz	11.1A	960 x 826 x 757mm	118	1
ACCESSORIES									

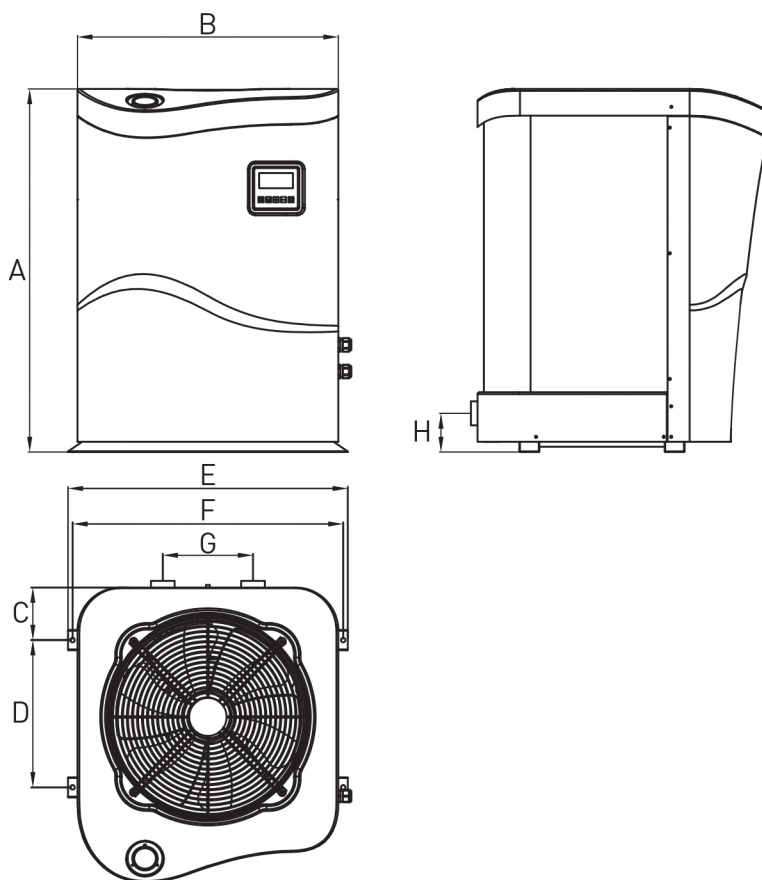
803155 Control Pad Extention Kit

- -

ULTRATEMP® VX

HIGH PERFORMANCE HEAT PUMP

DIMENSIONS AND PERFORMANCE*



Heat Pump Model	UTHP-5-VX	UTHP-9-VX	UTHP-12-VX	UTHP-15-VX	UTHP-17-VX	UTHP-21-VX	UTHP-25-VX
A (mm)	647	823	823	823	954	954	954
B (mm)	480	600	600	600	695	695	695
C (mm)	98	89	89	89	138	138	138
D (mm)	257	362	362	362	387	387	387
E (mm)	530	650	650	650	745	745	745
F (mm)	506	626	626	626	721	721	721
G (mm)	180	220	220	220	240	240	240
H (mm)	102	102	102	102	102	102	102
I (mm)	551	688	688	688	792	792	792

*All dimensions in mm.