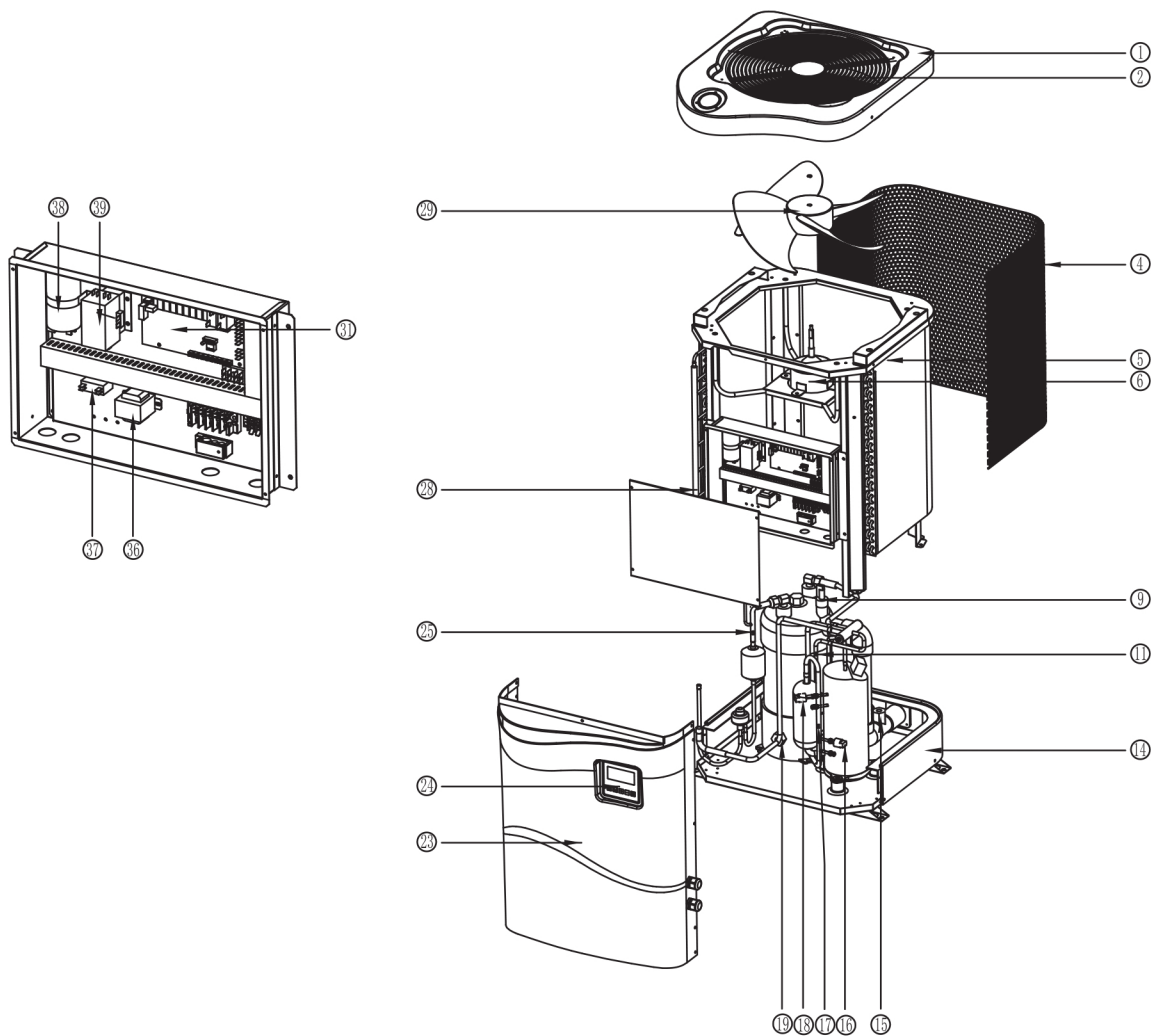


# ULTRATEMP VX HEAT PUMP

## REPLACEMENT PARTS



Item	Part No.	Description
<b>ULTRATEMP VX REPLACEMENT PARTS</b>		
1	803136	TOP COVER(9.5kW, 12kW & 15kW)
1	803137	TOP COVER(17kW, 21kW & 25kW)
2	803138	GRILL (9.5kW, 12kW & 15kW)
2	803139	GRILL (17kW, 21kW & 25kW)
4	803140	PROTECTION NET (9.5kW, 12kW & 15kW)
4	803141	PROTECTION NET (17kW, 21kW & 25kW)
5	803101	AMBIENT AIR TEMP SENSOR
6	803142	FAN MOTOR & NUT KIT (9.5kW, 12kW & 15kW)
6	803143	FAN MOTOR & NUT KIT (17kW, 21kW & 25kW)
9	803103	RIGHT PANEL (15kW, 17kW & 21kW)
11	803165	FLOW SWITCH
14	803111	COMPRESSOR EXHAUST GAS TEMP SENSOR
14	803144	BOTTOM PLATE (9.5kW, 12kW & 15kW)
14	803145	BOTTOM PLATE (17kW, 21kW & 25kW)
15	803104	OUTLET WATER TEMP SENSOR
16	803109	LOW PRESSURE SWITCH
17	803110	COMPRESSOR SUCTION GAS TEMP SENSOR
18	803112	HIGH PRESSURE SWITCH
19	803107	INLET WATER TEMP SENSOR

Item	Part No.	Description
23	803146	FRONT PANEL (9.5kW, 12kW & 15kW)
23	803147	FRONT PANEL (17kW, 21kW & 25kW)
24	803148	LCD CONTROLLER VX
25	NOT USED	COIL TEMP SENSOR UNDER COOLING MODE
28	803102	COIL TEMP SENSOR
29	803149	FAN BLADE & NUT KIT (9kW, 12kW & 15kW)
29	803150	FAN BLADE & NUT KIT (17kW, 21kW & 25kW)
31	803121	PCB MAIN BOARD
36	803125	TRANSFORMER
37	803151	FAN CAPACITOR 5uF (9kW, 12kW & 15kW)
37	803122	FAN CAPACITOR 4uF (17kW, 21kW & 25kW)
38	803123	COMPRESSOR CAPACITOR 50uF (9kW & 12kW)
38	803131	COMPRESSOR CAPACITOR 55uF (15kW)
38	803132	COMPRESSOR CAPACITOR KIT 80uF+98uF (17kW)
38	803133	COMPRESSOR CAPACITOR KIT 60uF+98uF (21kW)
39	803124	AC CONTACTOR(all except 25kW)
39	803152	AC CONTACTOR(25kW)
<b>NOT SHOWN</b>		
-	89280109	BARREL UNION(2 REQUIRED)
-	02020013	UNION O-RING