

JUNG PUMPEN SIMER UTILITY PUMP

- Removes water down to a level of 2 mm
- Robust cast aluminium housing
- Self-venting starts at a water level of just 5 mm
- Cooling jacket for motor housing
- Replaceable cable inlet
- Accessory: Electronical switch Simer Level Control for automatical pump operation



APPLICATION

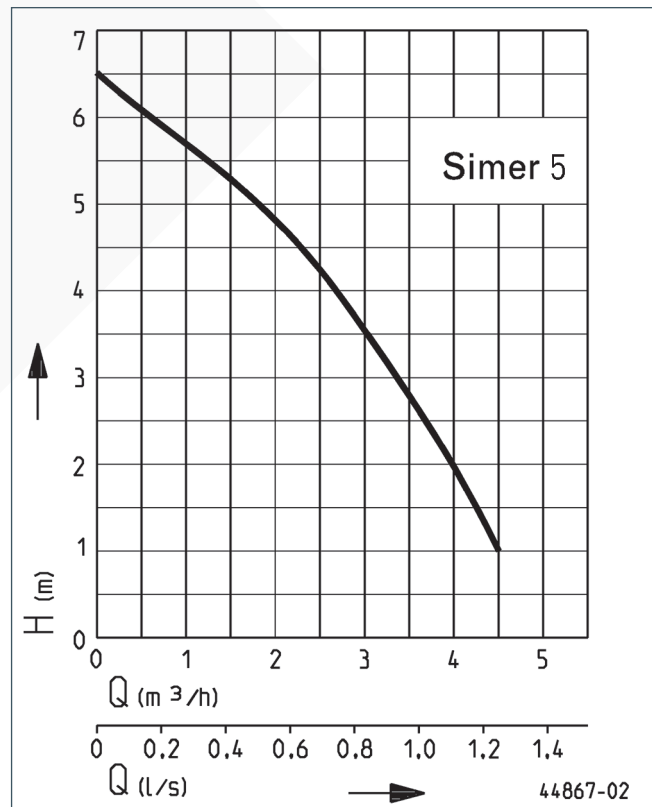
The Simer 5 is a robust utility pump for draining cellars, flat roofs, tennis courts or swimming pools. It can also be used to remove wastewater from building works such as core-hole drilling and concrete cutting. The Simer pump removes unwanted water quickly and efficiently, leaving a residual water level of just 2 mm, while starting to pump at a water level of just 5 mm!

The removable strainer, with a mesh size of 2 mm, reliably protects the hydraulic system from coarse solids. The variable hose connector allows connections to be made quickly and easily.

Connecting the pump permanently to the building's drainage system or using it to protect against back-flow is not permitted, however. Please refer to our UK3 to U6K range of pumps for these types of application.

The electronical switch Simer Level Control can be integrated into the cable inlet and switch the pump on automatically at approx. 7 mm water level. This way, puddles and flood water are removed automatically.

PERFORMANCE



Type	Delivery head H [m]	1	2	3	4	5	6
Simer 5	Flow rate Q [m³/h]	4.3	3.8	3.3	2.6	1.7	0.6

We reserve the right to change specifications without notice. Pump performance is subject to ISO 9906 tolerances

JUNG PUMPEN SIMER

UTILITY PUMP

SCOPE OF SUPPLY

Pump, ready to connect, with 1/2"/3/4"/1" (13/19/25 mm) hose connector, and connecting cable with plug.

MECHANICAL DATA

Pump	Vertical single-stage	Impeller	Vortex impeller, zinc die-cast
Bearing	Ball bearings, grease-packed	Motor housing	Aluminum
Oil chamber	Yes	Submersible	Yes
Seal towards the medium section	Mechanical seal	Discharge branch	1 1/4"
Dry run protection	Yes	Weight	5.2 kg

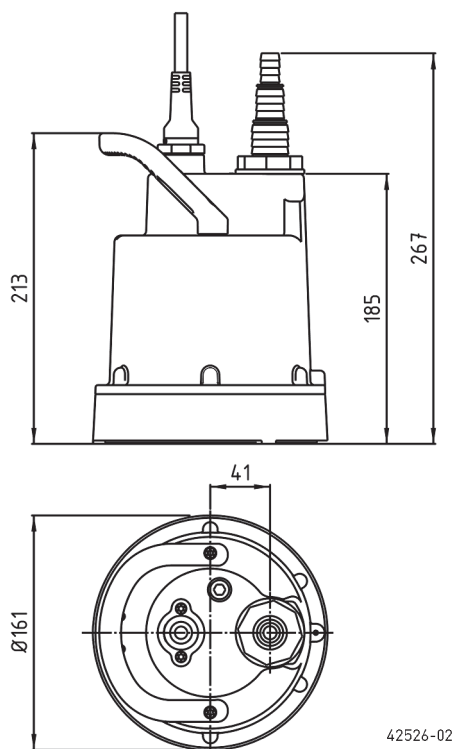
ELECTRICAL DATA

Voltage	1/N/PE~230 V	Isolation class	B
Motor rating P1	190 W	Winding thermostat	Yes
Power line	10m H07RN8-F	Motor protection	Integrated
Wires	3G1,0	Plug	Schuko
Type of enclosure	IP 68		

SIMER

Type	Art.-Nr.
Simer 5	OD6601G-05


Dimensions




JUNG PUMPEN SIMER

UTILITY PUMP

MECHANICAL ACCESSORIES

			Art.-Nr.
	1 Hose coupling Hose coupling	1 1/4" (DN 32)brass, for transportable use	JP00327

ELECTRICAL ACCESSORIES

			Art.-Nr.
	a Level control	Simer Level Control	JP46884

JUNG PUMPEN SIMER
UTILITY PUMP