



WEG Soft-Starter in a Box

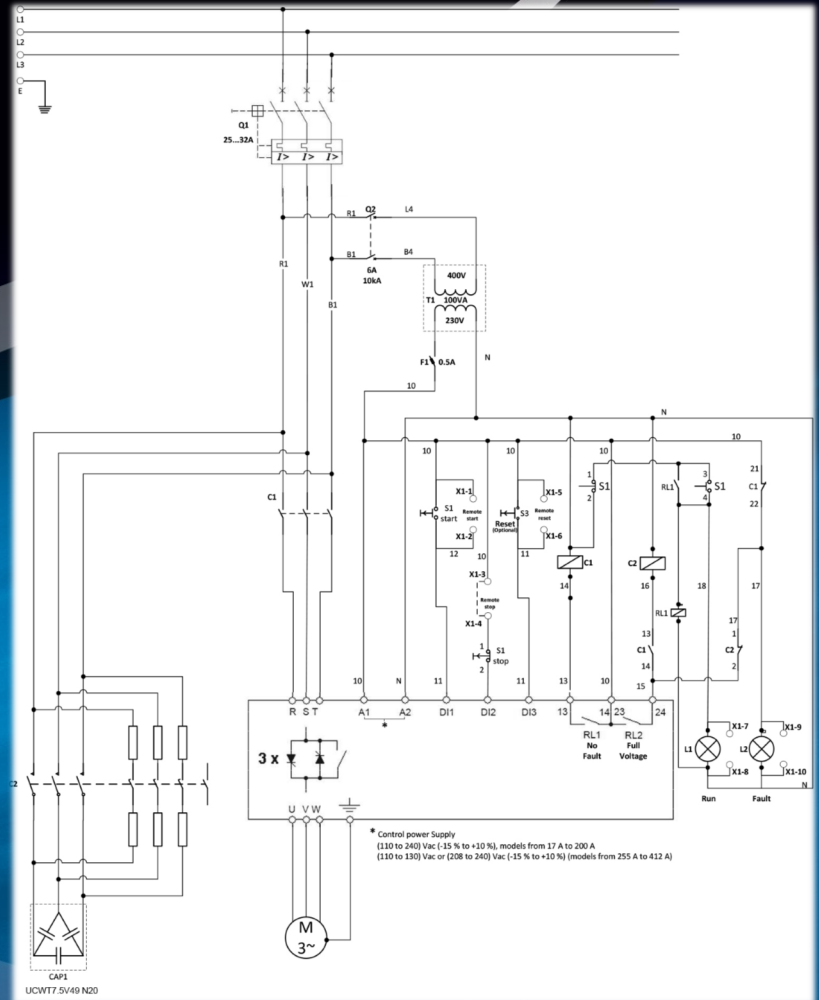


Power supply in

Motor cables out

- Plug n run
- Power factor correction
- Reduces light dimming & flicker
- Remote start / stop (optional)
- Isolation and motor protection
- Save install time
- National support

Wiring Diagram



What it Does

- Runs first time
- Saves money: Ready to run Controller box for quick and easy installation saving installation and set-up costs
- Good for the motor and mechanical gear: Gentle starting and stopping of motor extending the life of the motor and other mechanical moving parts and reduces water hammer for pumping applications
- Easy on the power supply: Reducing the electrical demand on in-rush currents
- Protected: Built-in Motor protection for overload, under voltage etc
- Reduces running costs and complies: Built-in Power factor (pf) correction to reduce power bills and meet supply authority regulations.
- WEG quality product inside

Part Numbers

kW	Part #
7.5	TR-SSW07-7.5
11	TR-SSW07-11
15	TR-SSW07-15
18.5	TR-SSW07-18.5
22	TR-SSW07-22

Local Distributor