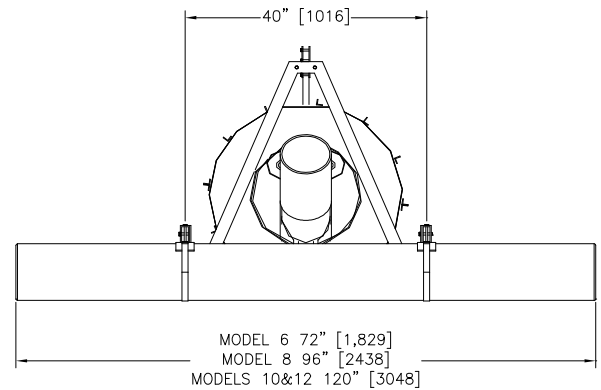
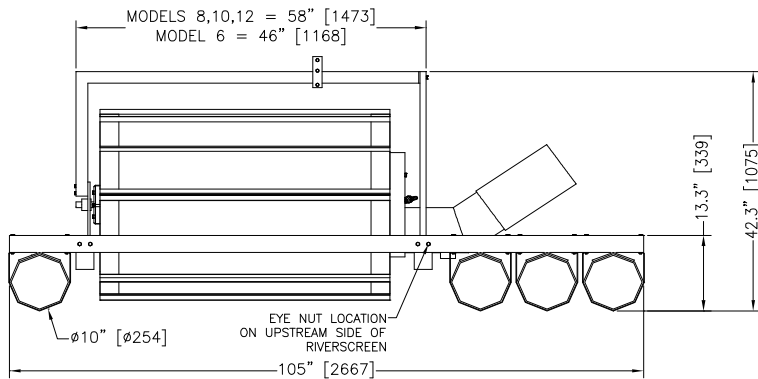


## MODELS 6,8,10 & 12



### Installation Guide

**Your Riverscreen has been factory pre-assembled and then disassembled for shipping.**

- 1) Install side rails by using the (4) 3/8" x 2-1/2" & (4) 5/16" x 1-3/4" bolts provided in the bolt package. Install eye nut onto one of the bolts connecting the A-Frame. This must be installed on the upstream side of the Riverscreen.
- 2) Position pontoons beneath side rail cradles and connect with Item#18 straps and (16) 5/16" x 4" bolts provided in the bolt package.
- 3) Adjust the cleaning jets. Loosen the 5/16" set screw on the front of the Riverscreen that holds the spray bar in place. Rotate spray bar so that the jets are directed towards the downstream side of the screen then tighten the set screw.
- 4) Connect Item#15 suction hose to Item#1 funnel pipe and then connect suction pipe to suction hose. Tighten T-Bolt clamps securely.
- 5) Once your Riverscreen has been placed in the water and the suction pipe is connected to the pump, fasten the anchoring cable to the eye nut you installed previously. Then connect the cable to the anchor which is secured upstream from the Riverscreen so that the suction pipe is in line with the pump.
- 6) Next the filter for the cleaning jets needs to be installed on the pressure side of the pump using thread sealant. Check flow direction through the filter and then connect hose to the Riverscreen.
- 7) Verify that the suction funnel is below the surface of the water. If not, make adjustments to lower the funnel.