

PRIOX DRENA-LINE

VORTEX WASTEWATER PUMP



FEATURES

- Automatic float for 1Ph models.
- Completely is AISI 304
- Large free passage up to 50 mm.
- Reliable vortex impeller.
- Hmax = 18m; Qmax = 800 lpm.
- 5 models available.



THE PRIOX SERIES pumps are made completely from high quality stainless steel to provide excellent corrosion resistance and robustness. Built-in thermal overload on single phase models provide effective protection against overload.

Fitted with a Vortex impeller, the PrioX is designed for pumping wastewater containing particles up to 50mm in diameter. Single phase models are equipped with float switch for automatic on/off operation.

The PrioX series is a submersible wastewater pump that is suitable for pumping dirty water containing a limited amount of solids. With a powerful vortex impeller, the PrioX is able to deliver a maximum head of 18m and maximum flow of 800 lpm.

Available in both automatic for single phase or manual for 3 phase models.

APPLICATIONS

- Groundwater transfer.
- Emptying residential sumps and sewage tanks.
- Transferring wastewater from kitchen sinks, laundry and baths to higher sewage lines.
- Emptying tanks or reservoirs.
- Removing water from drainage collecting pits.
- Draining of flooded buildings or cellars.
- Pumping of blackwater* (wastewater with toilet discharge).
- Pumping liquids containing long fibrous materials.
- Pumping liquid containing solids larger than maximum recommended particle size.
- Pumping aggressive or inflammable liquids.
- Pumping liquid containing abrasive solids (stones, ceramics etc).

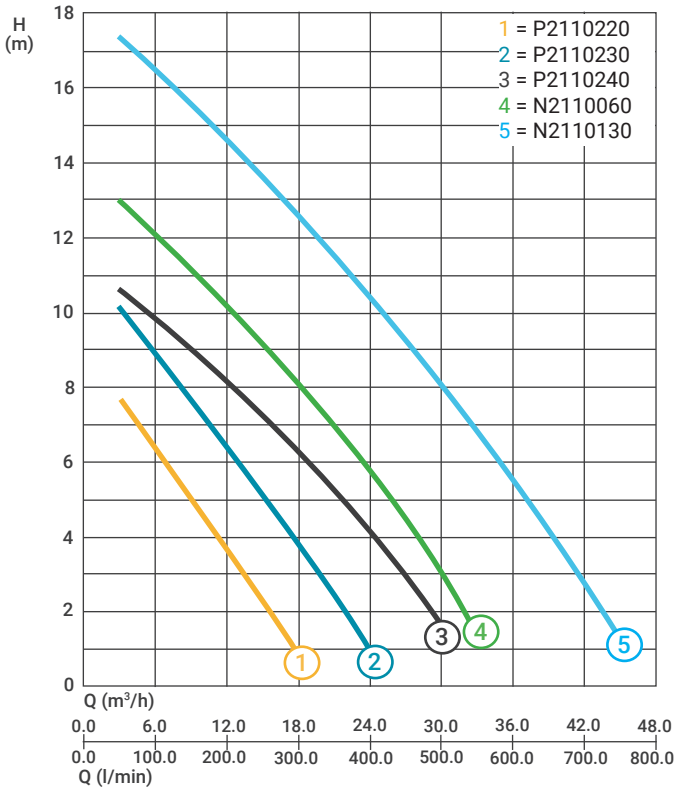
MECHANICAL DATA

Bearing:	Self-lubrication ball bearings
Oil chamber:	Yes
Shaft:	Stainless steel (AISI 304)
Impeller:	Stainless steel (AISI 304)
Pump housing:	Stainless steel (AISI 304)
Submersible:	Yes
Mechanical seal:	Silicon carbide. Lubricated in oil chamber Discharge water with solids
Type of liquid:	
Temperature of the liquid max.:	40 °C
Diving depth:	7 m

ELECTRICAL DATA

Power line:	10m H07RN-F
Type of enclosure:	IP 68
Insulation class:	F
Rotation speed:	2850 rpm

PRIOX - Performance



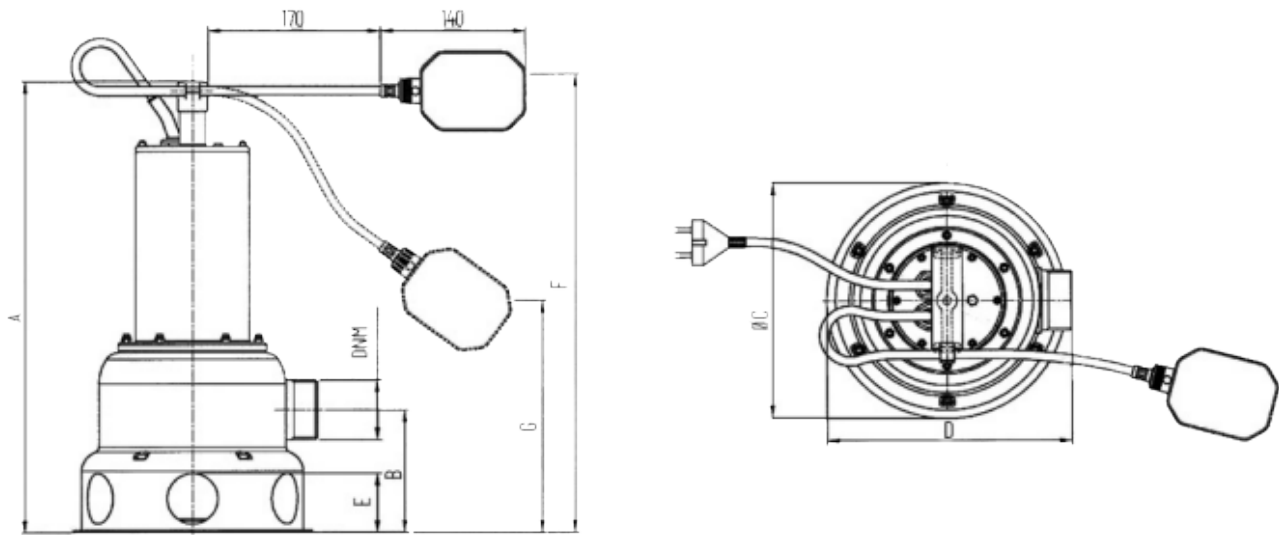
PERFORMANCE

PN	Model	Delivery Head H (m)													
		2	3	4	5	6	7	8	9	10	11	12	14	16	
		Flow Rate Q (m³/h)													
P2110220	PRIOX 300/9 M AUT	15.6	13.5	11.6	9.0	6.8	4.7	2.7							
P2110230	PRIOX 420/11 M AUT	21.5	19.6	17.8	15.5	13.0	10.5	8.1	5.7	3.5					
P2110240	PRIOX 500/11 M AUT	29.1	26.8	24.3	21.5	18.8	15.8	12.5	9.0	5.5					
N2110060	PRIOX 600/13 T	32.1	30.0	28.0	25.5	23.2	20.5	18.2	15.1	12.5	9.7	6.3			
N2110130	PRIOX 800/18 T			39.0	36.9	34.8	31.0	30.0	27.5	25.0	22.8	19.9	14.0	7.8	

SPECIFICATIONS

PN	Model	Voltage	Motor Rating		Current	Free Passage	Weight
			P1	P2			
P2110220	PRIOX 300/9 M AUT	1/N/PE ~ 230 V	0.90 kW	0.60 kW	4.10 A	40 mm	9.6 kg
P2110230	PRIOX 420/11 M AUT	1/N/PE ~ 230 V	1.30 kW	0.90 kW	6.00 A	40 mm	11.2 kg
P2110240	PRIOX 500/11 M AUT	1/N/PE ~ 230 V	1.55 kW	1.00 kW	7.00 A	50 mm	11.7 kg
N2110060	PRIOX 600/13 T	3/N/PE ~ 400 V	1.80 kW	1.20 kW	3.10 A	50 mm	12.6 kg
N2110130	PRIOX 800/18 T	3/N/PE ~ 400 V	3.00 kW	2.40 kW	5.50 A	50 mm	20.2 kg

PRIOX AUT- Dimensions



DIMENSIONS

PN	MODEL	A	B	C	D	E	F	G	DNM
P2110220	PRIOX 300/9 M AUT	420	122,5	235	249	63	550	290	2"
P2110230	PRIOX 420/11 M AUT	450	122,5	235	249	63	550	290	2"
P2110240	PRIOX 500/11 M AUT	450	122,5	235	249	63	550	290	2"
N2110060	PRIOX 600/13 T	450	122,5	235	249	63	-	-	2"
N2110130	PRIOX 800/18 T	485	122,5	235	249	63	580	320	2"