

# POSI-CLEAR RP™ FILTER

## RAISED PORT CARTRIDGE FILTER

STA-RITE™



### FEATURED HIGHLIGHTS:

- Raised Port - Uses the whole height of cartridge.
- Raised Port - Cyclone effect flings larger particles out to simply drain away.
- Integrated continuous High Flow™ internal air relief.
- Chemical Resistant Tank Body.
- Lock ring with spring-loaded safety latches.
- Coreless cartridge for easy cleaning.
- 1" Drain and Wash Out.
- Single piece base and body design.
- 50mm / 2" unions included.
- 10 year pro-rata warranty.<sup>1</sup>

The Posi-Clear RP filter is a pool filter which combines a cartridge and centrifugal energy filter into one package. The filter is designed with a raised and offset inlet port which creates a cyclone effect inside the filter that helps to move water through the filter element.

The inside of the filter body is fluted which helps to collect larger particles, which drop to the bottom of the filter tank, reducing the load on the element. This new design is up to 50% more efficient than standard cartridge filter, saving energy and requires less cleaning, saving water.

### ORDERING INFORMATION

Model	Product	Effective Filtration Area (ft <sup>2</sup> /m <sup>2</sup> )	Max Flow Rate (LPM)	Turnover Capacity (In Litres)			Carton Dimensions (mm)	Carton Wt. (kg)	Pallet Qty.
				8 Hour	10 Hour	12 Hour			
<b>CLEAN &amp; CLEAR PLUS FILTERS</b>									
160351	Posi-Clear RP 100 sq.ft.	100/9.3	380	182000	228000	273000	432x355x850	16.5	27
160352	Posi-Clear RP 150 sq.ft.	150/13.9	570	273000	342000	410000	432x355x1040	17.5	18
160350	Posi-Clear RP 200 sq.ft.	200/18.6	570	273000	342000	410000	432x355x1040	17.5	18

### REPLACEMENT CARTRIDGES

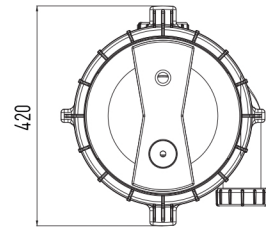
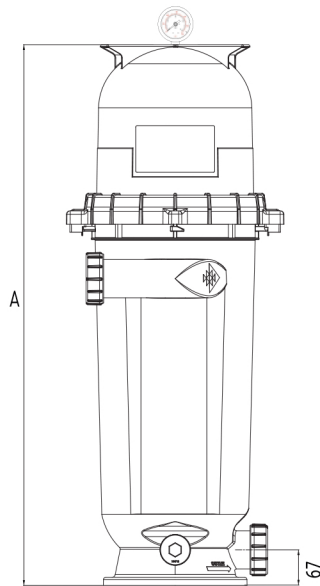
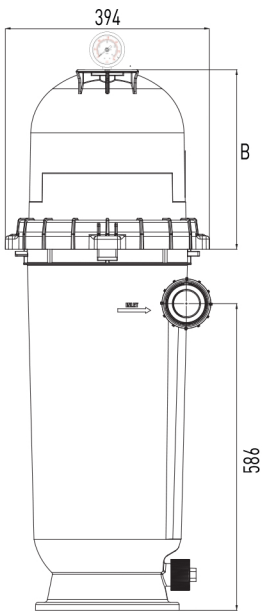
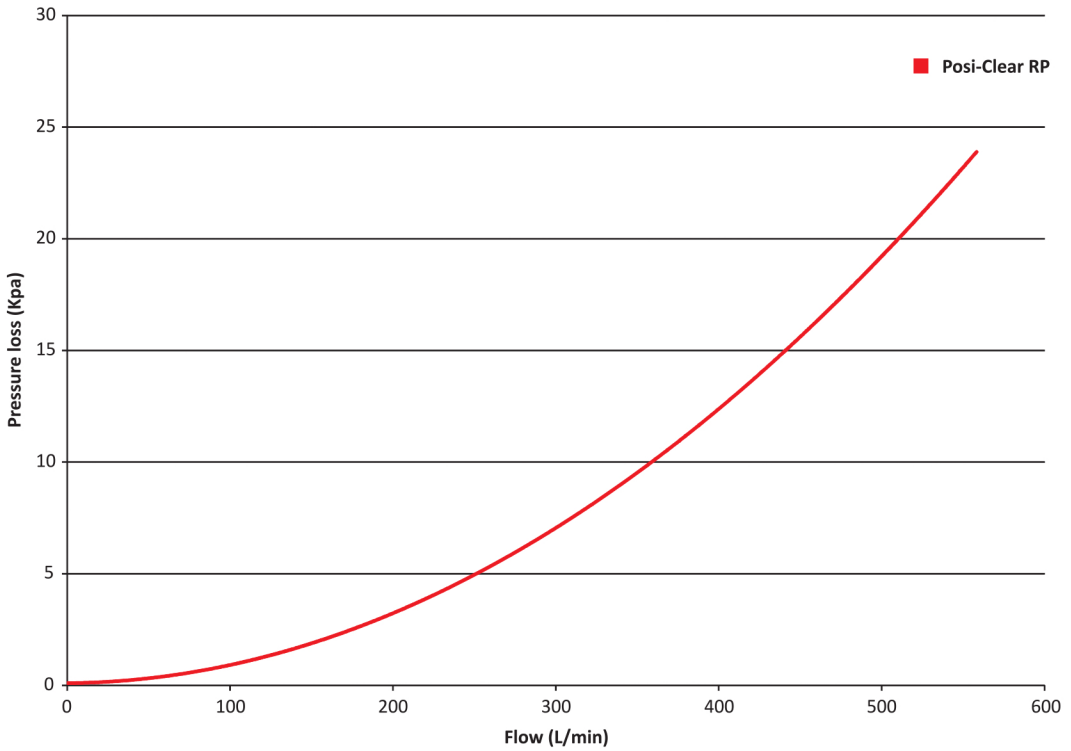
Product	Description
<b>ACCESSORIES FOR CLEAN AND CLEAR PLUS FILTERS</b>	
R173215	Replacement Cartridge Posi-Clear RP 100 sq ft
R173216	Replacement Cartridge Posi-Clear RP 150 sq ft
R173217	Replacement Cartridge Posi-Clear RP 200 sq ft

**Note:** Operating Limits - maximum continual operating pressure of 345kPa. Pool/spa (bather) applications, maximum operating water temperature (internal filter) 40°C.

# POSI-CLEAR RP™ FILTER

## RAISED PORT CARTRIDGE FILTER

### DIMENSIONS AND PERFORMANCE\*



Filter Model	160351	160352	160350
A (mm)	838	1029	1029
B (mm)	152	343	343
Clearance Required	1549	1930	1930

\*All dimensions in mm.