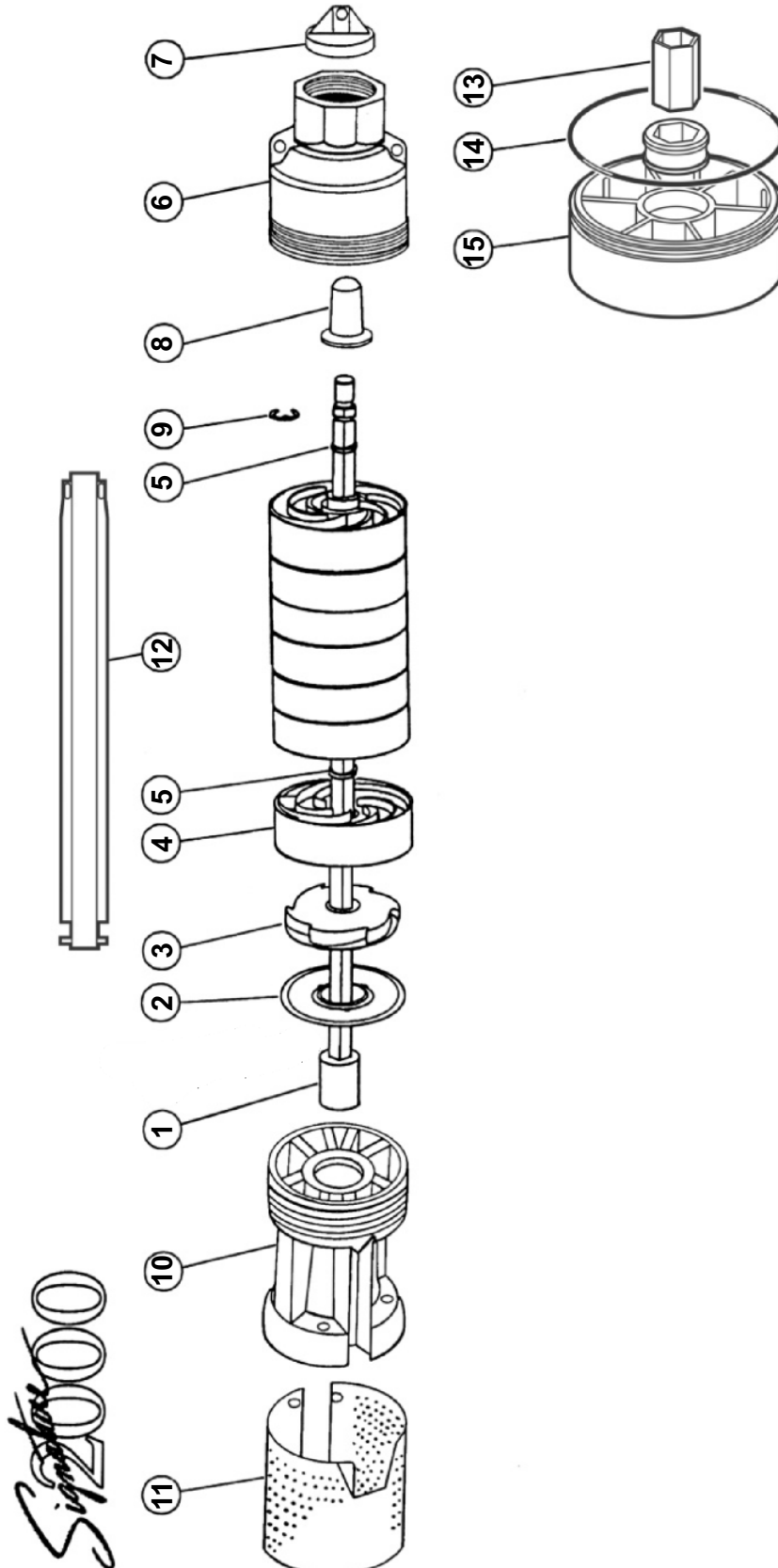


All models

BOREHOLE



Drawings are indicative only, product appearance may change slightly.

20S4 & 30S4 Range

MODEL PART NUMBER NO. STAGES	20S4CTL	20S4DTL	20S4ETL	20S4FTL
	20S4CTL-03	20S4DTL-03	20S4ETL-03	20S4FTL-03
	11 STAGE	15 STAGE	22 STAGE	29 STAGE

REF NO.	DESCRIPTION	PART NO.		PART NO.		PART NO.		PART NO.	
1	SHAFT & COUPLING	P110-933	1PC	P110-920	1PC	P110-788	1PC	P110-934	1PC
2	CAP - SUCTION	P101-172P	TBA	P101-172P	TBA	P101-172P	TBA	P101-172P	TBA
3	IMPELLER	P105-99P	TBA	P105-99P	TBA	P105-99P	TBA	P105-99P	TBA
4	DIFFUSER	P1-171P	TBA	P1-171P	TBA	P1-171P	TBA	P1-171P	TBA
	DIFFUSER FIRST STAGE	-	TBA	-	TBA	P1-171PM	TBA	P1-171PM	TBA
5	THRUST PAD	P43-52	TBA	P43-52	TBA	P43-52	TBA	P43-52	TBA
6	DISCHARGE WITH BEARING (INC 6,7 & 8)	P152-70P	1PC	P152-70P	1PC	P152-70P	1PC	P152-70P	1PC
7	CHECKVALVE	-	1PC	-	1PC	-	1PC	-	1PC
8	BEARING NYLATRON	-	1PC	-	1PC	-	1PC	-	1PC
9	RETAINER RING	U9-435SS	1PC	U9-435SS	1PC	U9-435SS	1PC	U9-435SS	1PC
10	SUCTION HOUSING MOULDED	P2-113PA	1PC	P2-113PA	1PC	P2-113PA	1PC	P2-113PA	1PC
11	SUCTION SCREEN	P8-32P	1PC	P8-32P	1PC	P8-32P	1PC	P8-32P	1PC
12	LEAD GUARD (02 MODELS)	P3-753SS	1PC	P3-916SS	1PC	P3-771SS	1PC	P3-757SS	1PC
	LEAD GUARD (03 MODELS)	P3-1242SS	1PC	P3-1246SS	1PC	P3-1252SS	1PC	P3-1256SS	1PC
NS	HARDWARE PK	P198-245	1PC	P198-245	1PC	P198-245	1PC	P198-245	1PC

MODEL PART NUMBER NO. STAGES	30S4DT	30S4ET	30S4FT	30S4GT
	30S4DT-04	30S4ET-04	30S4FT-04	30S4GT-04
	12 STAGE	16 STAGE	20 STAGE	30 STAGE

REF NO.	DESCRIPTION	PART NO.		PART NO.		PART NO.		PART NO.	
1	SHAFT & COUPLING	P110-781	1PC	P110-1129	1PC	P110-1130	1PC	P110-1132	1PC
2	CAP - SUCTION	P101-160P	TBA	P101-160P	TBA	P101-160P	TBA	P101-160P	TBA
3	IMPELLER	P105-266P	TBA	P105-266P	TBA	P105-266P	TBA	P105-266P	TBA
4	DIFFUSER	P1-168P	TBA	P1-168P	TBA	P1-168P	TBA	P1-168P	TBA
	DIFFUSER FIRST STAGE	-	TBA	-	TBA	-	TBA	P1-168PBM	1PC
5	THRUST PAD	P43-52	TBA	P43-52	TBA	P43-52	TBA	P43-52	TBA
6	DISCHARGE & POPPET ASSY. (INC 6,7 & 8)	P152-60P	1PC	P152-60P	1PC	P152-60P	1PC	P152-60P	1PC
7	CHECKVALVE	-	1PC	-	1PC	-	1PC	-	1PC
8	BEARING NYLATRON	-	1PC	-	1PC	-	1PC	-	1PC
9	RETAINER RING	U9-435SS	1PC	U9-435SS	1PC	U9-435SS	1PC	U9-435SS	1PC
10	SUCTION HOUSING MOULDED	P2-113PB	1PC	P2-113PB	1PC	P2-113PB	1PC	P2-113PB	1PC
11	SUCTION SCREEN	P8-32P	1PC	P8-32P	1PC	P8-32P	1PC	P8-32P	1PC
12	LEAD GUARD (02 MODELS)	P3-914SS	1PC	P3-1015SS	1PC	P3-639SS	1PC	P3-893SS	1PC
	LEAD GUARD (03 MODELS)	P3-914SS	1PC	P3-1015SS	1PC	P3-639SS	1PC	P3-893SS	1PC
NS	HARDWARE PK	P198-245	1PC	P198-245	1PC	P198-245	1PC	P198-245	1PC

Pentek Intellidrive Parts

MODEL PART NO.	PID INTELLIDRIVE
	PID2000-1123

DESCRIPTION	PART NO.	
INOUT TERMINAL BLOCK CONNECTOR	PID-CON2	1PC
OUTPUT TERMINAL BLOCK CONNECTOR	PID-CON3	1PC
COOLING FAN	PID-FAN-R	1PC
PRESSURE TRANSDUCER	U17-1561	1PC
15M/50FT	176L7777	1PC
KEYPAD	PID-HMI-R	1PC

50S4 & 70S4 Range

MODEL PART NUMBER NO. STAGES	50S4DT	50S4ET	50S4FT	50S4GT
	50S4DT-03	50S4ET-03	50S4FT-03	50S4GT-03
	9 STAGE	12 STAGE	17 STAGE	22 STAGE

REF NO.	DESCRIPTION	PART NO.		PART NO.		PART NO.		PART NO.	
1	SHAFT & COUPLING	P110-727	1PC	P110-728	1PC	P110-731	1PC	P110-730	1PC
2	CAP - SUCTION	P101-160P	TBA	P101-160P	TBA	P101-160P	TBA	P101-160P	TBA
3	IMPELLER	P105-97P	TBA	P105-97P	TBA	P105-97P	TBA	P105-97P	TBA
4	DIFFUSER	P1-169P	TBA	P1-169P	TBA	P1-169P	TBA	P1-169P	TBA
	DIFFUSER FIRST STAGE	-	TBA	-	TBA	P1-169PBM	TBA	P1-169PBM	TBA
5	THRUST PAD	P43-52	TBA	P43-52	TBA	P43-52	TBA	P43-52	TBA
6	DISCHARGE & POPPET ASSY. (INC 6,7 & 8)	P152-60P	1PC	P152-60P	1PC	P152-60P	1PC	P152-60P	1PC
7	CHECKVALVE	-	1PC	-	1PC	-	1PC	-	1PC
8	BEARING NYLATRON	-	1PC	-	1PC	-	1PC	-	1PC
9	RETAINER RING	U9-435SS	1PC	U9-435SS	1PC	U9-435SS	1PC	U9-435SS	1PC
10	SUCTION HOUSING MOULDED	P2-113PB	1PC	P2-113PB	1PC	P2-113PB	1PC	P2-113PB	1PC
11	SUCTION SCREEN	P8-32P	1PC	P8-32P	1PC	P8-32P	1PC	P8-32P	1PC
12	LEAD GUARD	P3-847SS	1PC	P3-849SS	1PC	P3-905SS	1PC	P3-904SS	1PC
NS	HARDWARE PK	P198-245	1PC	P198-245	1PC	P198-245	1PC	P198-245	1PC
13	BEARING SLEEVE	-	1PC	-	1PC	P23-127SS	1PC	P23-127SS	1PC
14	O'RING	-	1PC	-	1PC	U9-420	1PC	U9-420	1PC
15	SPIDER ASSEMBLY	-	1PC	-	1PC	P101-178P	1PC	P101-178P	1PC

MODEL PART NUMBER NO. STAGES	70S4ET	70S4FT	70S4GT	70S4HT
	70S4ET-03	70S4FT-03	70S4GT-03	70S4HT-03
	10 STAGE	13 STAGE	17 STAGE	26 STAGE

REF NO.	DESCRIPTION	PART NO.		PART NO.		PART NO.		PART NO.	
1	SHAFT & COUPLING	P110-938	1PC	P110-917	1PC	P110-731	1PC	P110-939	1PC
2	CAP - SUCTION	P101-160P	TBA	P101-160P	TBA	P101-160P	TBA	P101-160P	TBA
3	IMPELLER	P105-96P	TBA	P105-96P	TBA	P105-96P	TBA	P105-96P	TBA
4	DIFFUSER	P1-169P	TBA	P1-169P	TBA	P1-169P	TBA	P1-169P	TBA
	DIFFUSER FIRST STAGE	-	TBA	-	TBA	P1-169PBM	TBA	P1-169PBM	TBA
5	THRUST PAD	P43-52	TBA	P43-52	TBA	P43-52	TBA	P43-52	TBA
6	DISCHARGE & POPPET ASSY. (INC 7, 8 & 9)	P152-60P	1PC	P152-60P	1PC	P152-60P	1PC	P152-60P	1PC
7	CHECKVALVE	-	1PC	-	1PC	-	1PC	-	1PC
8	BEARING NYLATRON	-	1PC	-	1PC	-	1PC	-	1PC
9	RETAINER RING	U9-435SS	1PC	U9-435SS	1PC	U9-435SS	1PC	U9-435SS	1PC
10	SUCTION HOUSING MOULDED	P2-113PB	1PC	P2-113PB	1PC	P2-113PB	1PC	P2-113PB	1PC
11	SUCTION SCREEN	P8-32P	1PC	P8-32P	1PC	P8-32P	1PC	P8-32P	1PC
12	LEAD GUARD	P3-911SS	1PC	P3-850SS	1PC	P3-905SS	1PC	P3-918SS	1PC
NS	HARDWARE PK	P198-245	1PC	P198-245	1PC	P198-245	1PC	P198-245	1PC
13	BEARING SLEEVE	-	1PC	-	1PC	P23-127SS	1PC	P23-127SS	1PC
14	O'RING	-	1PC	-	1PC	U9-420	1PC	U9-420	1PC
15	SPIDER ASSEMBLY	-	1PC	-	1PC	P101-178P	1PC	P101-178P	1PC

90S4 & 150S4 Range

MODEL	90S4FT	90S4GT	90S4HT
PART NUMBER	90S4FT-03	90S4GT-03	90S4HT-03
NO. STAGES	10 STAGE	12 STAGE	18 STAGE

REF NO.	DESCRIPTION	PART NO.		PART NO.		PART NO.	
1	SHAFT & COUPLING	P110-917	1PC	P110-763	1PC	P110-940	1PC
2	CAP - SUCTION	P101-160P	TBA	P101-160P	TBA	P101-160P	TBA
3	IMPELLER	P105-94P	TBA	P105-94P	TBA	P105-94P	TBA
	IMPELLER FIRST STAGE	P105-94PA	TBA	P105-94PA	TBA	P105-94PA	TBA
4	DIFFUSER	P1-163P	TBA	P1-163P	TBA	P1-163P	TBA
	DIFFUSER FIRST STAGE	-	TBA	P1-163PM	TBA	P1-163PM	TBA
5	THRUST PAD	P43-52	TBA	P43-52	TBA	P43-52	TBA
6	DISCHARGE & POPPET ASSY. (INC 7, 8 & 9)	P152-60P	1PC	P152-60P	1PC	P152-60P	1PC
7	CHECKVALVE	-	1PC	-	1PC	-	1PC
8	BEARING NYLATRON	-	1PC	-	1PC	-	1PC
9	RETAINER RING	U9-435SS	1PC	U9-435SS	1PC	U9-435SS	1PC
10	SUCTION HOUSING MOULDED	P2-113PB	1PC	P2-113PB	1PC	P2-113PB	1PC
11	SUCTION SCREEN	P8-32P	1PC	P8-32P	1PC	P8-32P	1PC
12	LEAD GUARD	P3-920SS	1PC	P3-856SS	1PC	P3-781SS	1PC
NS	HARDWARE PK	P198-245	1PC	P198-245	1PC	P198-245	1PC
13	BEARING SLEEVE	-	1PC	P23-127SS	1PC	P23-127SS	1PC
14	O'RING	-	1PC	U9-420	1PC	U9-420	1PC
15	SPIDER ASSEMBLY	-	1PC	P101-178P	1PC	P101-178P	1PC

MODEL	SR150S4GT	SR150S4HT	SR150S4JT	SR150S4KT
PART NUMBER	5L50P4GH-03	5L50P4HH-03	5L50P4JH-03	5L50P4KH-03
NO. STAGES	8 STAGE	12 STAGE	20 STAGE	30 STAGE

REF NO.	DESCRIPTION	PART NO.		PART NO.		PART NO.		PART NO.	
1	SHAFT & COUPLING	P110-748	1PC	P110-749	1PC	P110-750H	1PC	P110-751H	1PC
2	CAP - SUCTION	P101-176P	TBA	P101-176P	TBA	P101-176PD	TBA	P101-176PD	TBA
3	IMPELLER	P105-101P	TBA	P105-101P	TBA	P105-101P	TBA	P105-101P	TBA
	IMPELLER FIRST STAGE	P105-101PB	TBA	P105-101PB	TBA	P105-101PB	TBA	P105-101PB	TBA
4	DIFFUSER	P1-175P	TBA	P1-175P	TBA	P1-175PD	TBA	P1-175PD	TBA
	DIFFUSER FIRST STAGE	-	TBA	-	TBA	P1-175PDM	TBA	P1-175PDM	TBA
5	THRUST PAD	P43-52	TBA	P43-52	TBA	P43-52	TBA	P43-52	TBA
6	DISCHARGE W/CHECK VALVE	P152-74SS	1PC	P152-74SS	1PC	P152-74SS	1PC	P152-74SS	1PC
7	CHECKVALVE	-	1PC	-	1PC	-	1PC	-	1PC
8	INTERMEDIATE BEARING NORYL	-	1PC	-	1PC	1000000610	2PC	1000000610	2PC
9	RETAINER RING	U9-435SS	1PC	U9-435SS	1PC	U9-435SS	1PC	U9-435SS	1PC
10	SUCTION SS	P2-111SS	1PC	P2-111SS	1PC	P2-111SS	1PC	P2-111SS	1PC
11	SUCTION SCREEN	P8-147SS	1PC	P8-147SS	1PC	P8-147SS	1PC	P8-147SS	1PC
12	LEAD GUARD	P3-721SS	1PC	P3-722SS	1PC	P3-723SS	1PC	P3-724SS	1PC
NS	HARDWARE PK	P198-236	1PC	P198-236	1PC	P198-236	1PC	P198-236	1PC
13	BEARING SLEEVE	-	1PC	-	1PC	P23-127SS	2PC	P23-127SS	2PC
14	O'RING	-	1PC	-	1PC	U9-420	2PC	U9-420	2PC
15	SPIDER ASSEMBLY	P101-174P	1PC	P101-174P	1PC	P101-174PB	1PC	P101-174PB	1PC