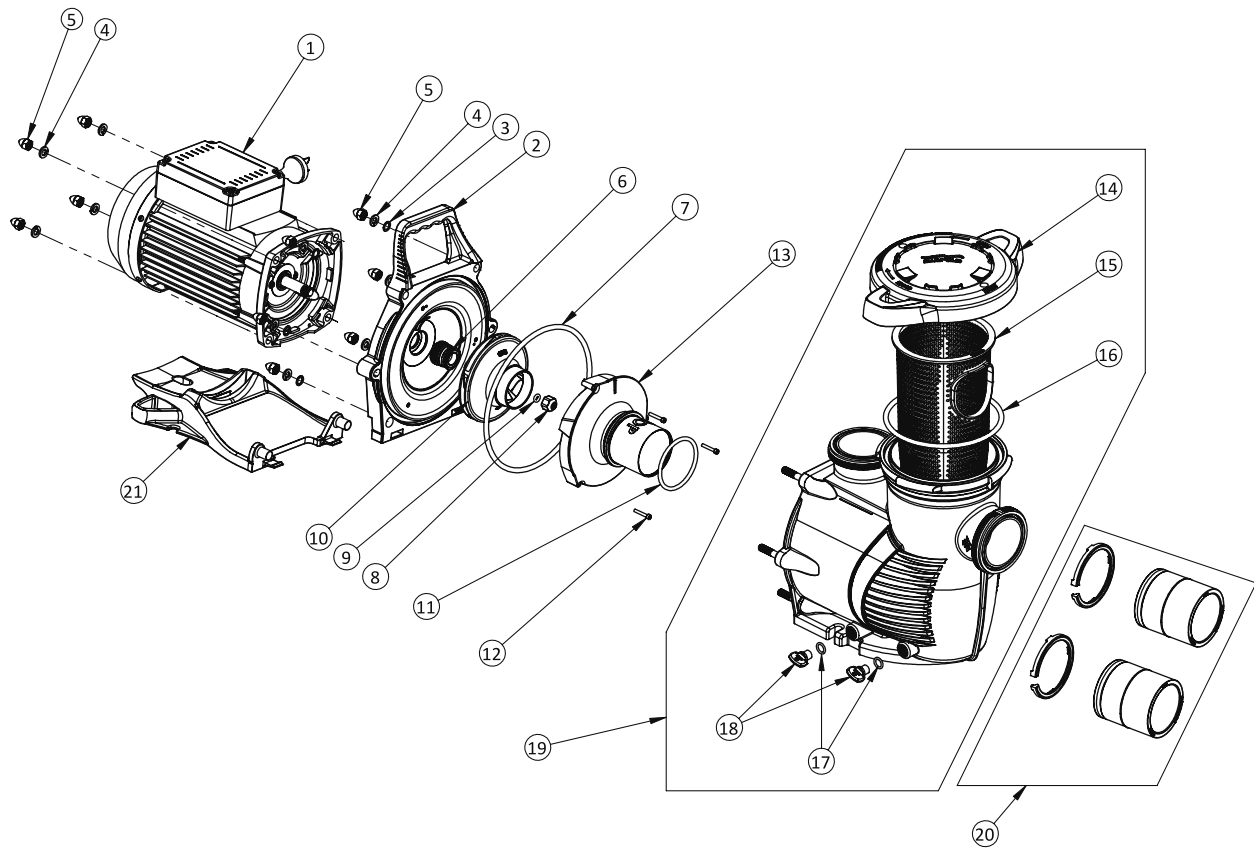


# WHISPERFLO XF™ PUMP

## REPLACEMENT PARTS



Item	Part No.	Description
<b>WHISPERFLO XF PUMP</b>		
1	801482 (405694)	MOTOR
2	401002	SEAL PLATE
3	See Pump Fasteners Kit	WASHER FLAT
4	See Pump Fasteners Kit	WASHER SPLIT
5	See Pump Fasteners Kit	NUT ACORN
6	801294	PUMP FASTENERS KIT (INCLUDES 3, 4 & 5) x6
7	37400-0028s	MECHANICAL SEAL
8	351446	O-RING SEAL PLATE
9	See Impeller Kit	SCREW IMPELLER LOCKING
10	See Impeller Kit	O-RING IMPELLER LOCKING SCREW
11	See Impeller Kit	IMPELLER
12	801293	IMPELLER KIT (INCLUDES ITEM 8, 9 & 10)
13	See Diffuser Kit	O-RING DIFFUSER
14	See Diffuser Kit	SCREW DIFFUSER
15	See Diffuser Kit	DIFFUSER

Item	Part No.	Description
16	801292	DIFFUSER KIT (INCLUDES ITEM 11, 12x2, 13)
17	401006	LID/LOCKING RING
18	400007z	BASKET
19	35505-1440	O-RING LID
20	192115	O-RING DRAIN PLUG
21	357161	DRAIN PLUG
22	401000	PUMP CASING ASSEMBLY
23	707456	BARREL UNION KIT
24	401004	MOTOR BASE