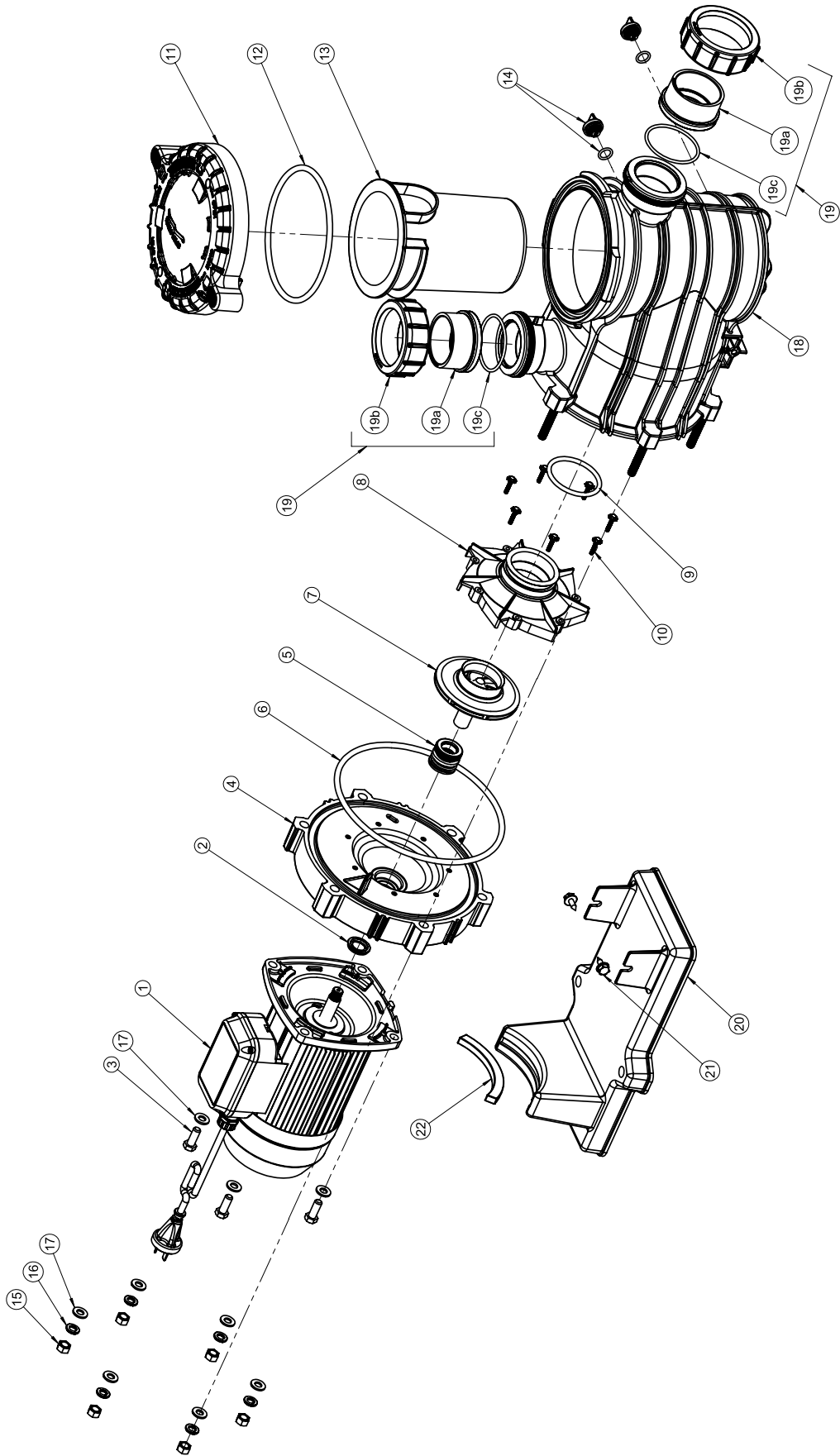


SILENTFLO™ PUMP SERIES

REPLACEMENT PARTS



SILENTFLO™ PUMP SERIES (CONT'D)

REPLACEMENT PARTS

Item	Description	Part No.	Part No.	Part No.	Part No.
		SF550100	SF750103	SF1100100	SF1500100
1	MOTOR	801418	801418	801419	801420
2	SLINGER	See Motor			
3	SCREW 3/8"UNC x 1" HEX SS	See Motor Fasteners Kit			
	MOTOR FASTENERS KIT (INCLUDES ITEM 3 x4, 17x4)	801279	801279	801279	801279
4	SEAL PLATE	C3-184P	C3-184P	C3-184P	C3-184P
5	MECHANICAL SEAL	801428	801428	801428	801428
	MECHANICAL SEAL (25 PACK)	800900	800900	800900	800900
6	O-RING PUMP CASING	1660500	1660500	1660500	1660500
7	IMPELLER	801424	801425	801426	801427
8	DIFFUSER	See Diffuser and O-Ring Kit			
9	O-RING DIFFUSER	See Diffuser and O-Ring Kit			
10	SCREW 8/32" x 22mm SS PHILLIPS HEAD	See Diffuser and O-Ring Kit			
	DIFFUSER & O-RING KIT (INCLUDES ITEM 8,9&10 x7)	801421	801422	801423	801423
11	LID	C3-185P	C3-185P	C3-185P	C3-185P
12	O-RING LID	35505-1440	35505-1440	35505-1440	35505-1440
13	BASKET	C8-58P	C8-58P	C8-58P	C8-58P
14	DRAIN PLUG & O-RING	U178-920P	U178-920P	U178-920P	U178-920P
15	NUT 3/8" SS	See Pump Fasteners Kit			
16	WASHER SPRING M10 SS	See Pump Fasteners Kit			
	PUMP FASTENERS KIT	See Pump Fasteners Kit			
17	FLAT WASHER 3/8" x 3/4"x 18G	See Pump Fasteners Kit or Motor Fasteners Kit			
18	PUMP CASING	See Pump Casing Assembly			
	PUMP CASING ASSEMBLY	C176-71P	C176-71P	C176-71P	C176-71P
19	BARREL UNION KIT (INCLUDES 19a, 19b & 19c) x2	801245K	801245K	801245K	801245K
19a	COLLAR UNION 2" SLIP	See Barrel Union Kit			
19b	COLLAR UNION 2"	See Barrel Union Kit			
19c	ORING-Collar Union	See Barrel Union Kit			
20	BASE	See Pump Base Kit			
21	SCREW 5/16-14" x 1"	See Pump Base Kit			
22	MOTOR PAD	See Pump Base Kit			
	BASE KIT (INCLUDES 20,21& 22)	801281	801281	801281	801281