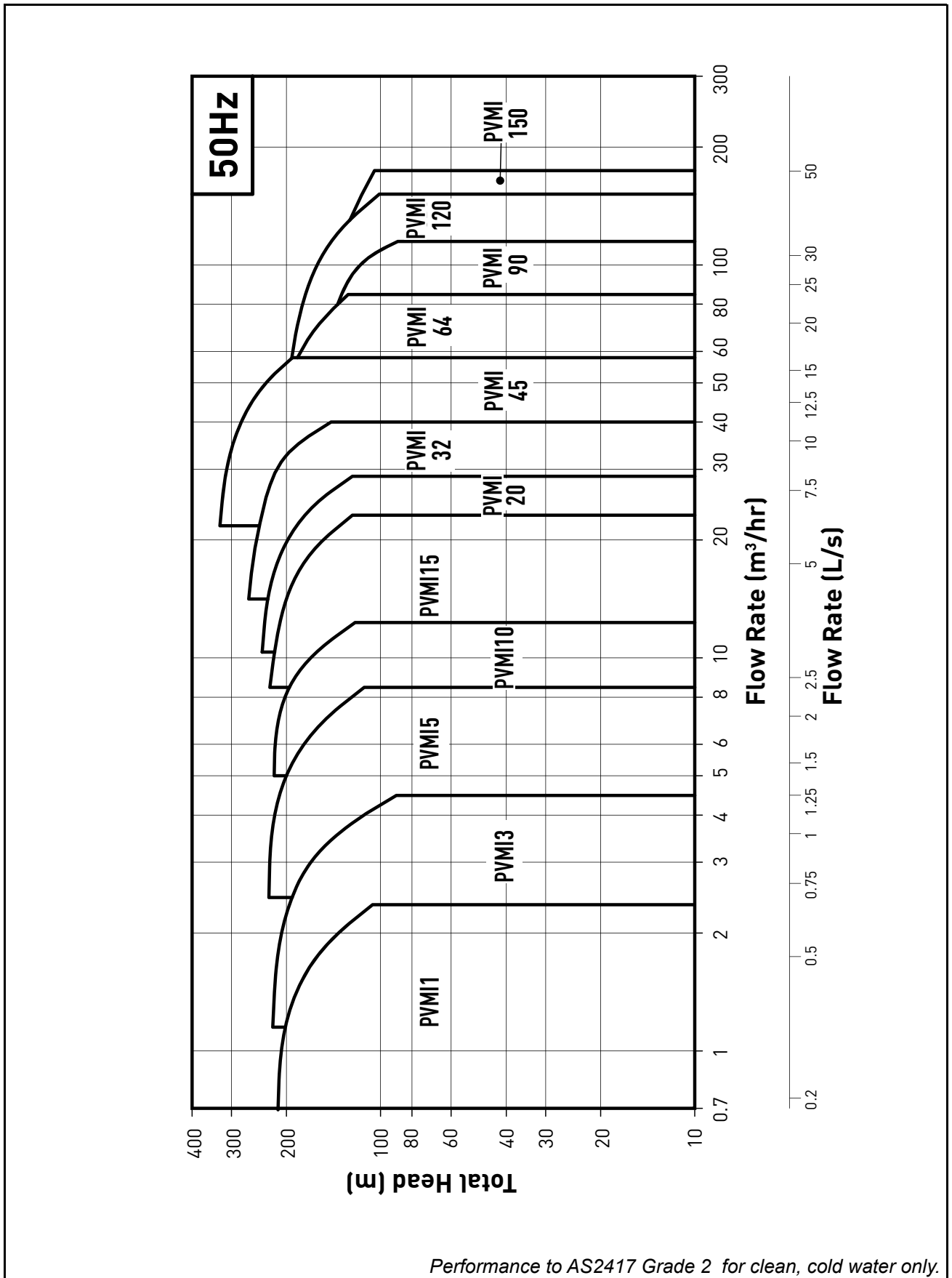
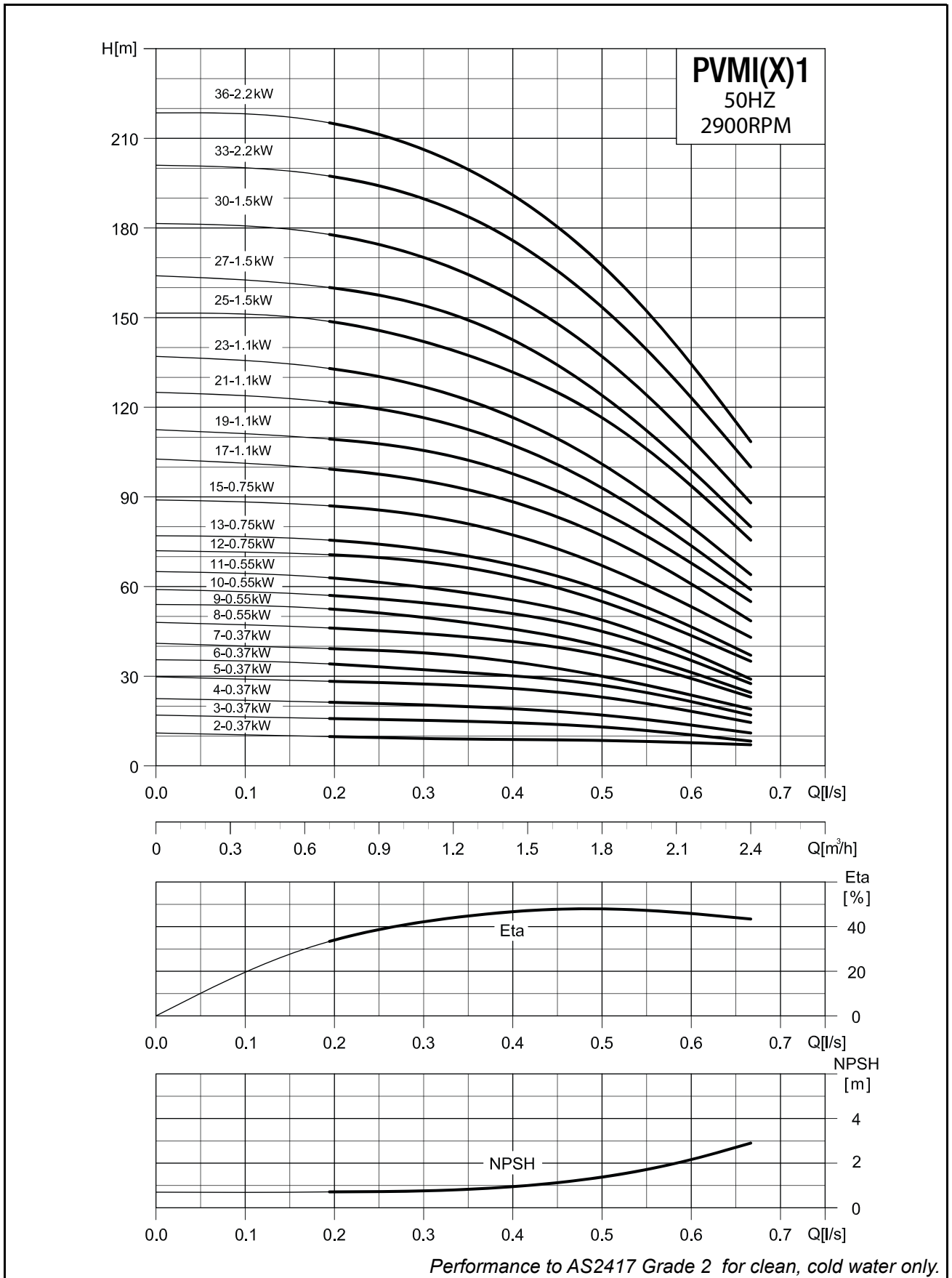


**PERFORMANCE DATA**


THIS PAGE IS INTENSIONALLY LEFT BLANK

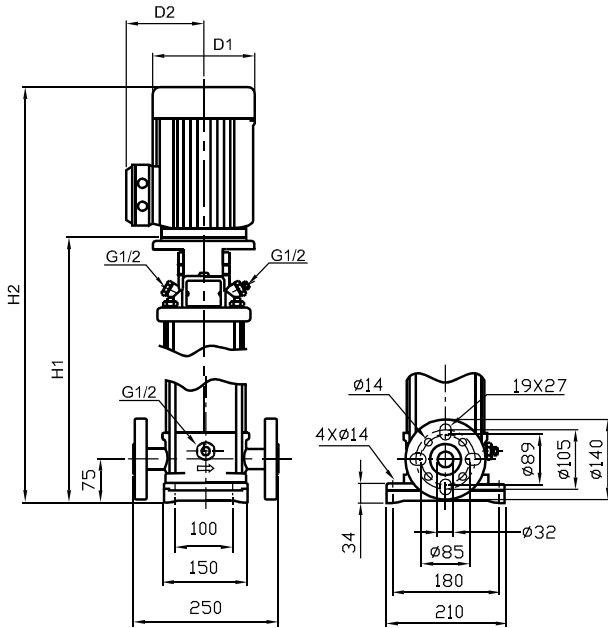
**PERFORMANCE DATA**


# MODEL PVM1 1

## PVMI Vertical Multi-Stage Pumps



### TECHNICAL DATA



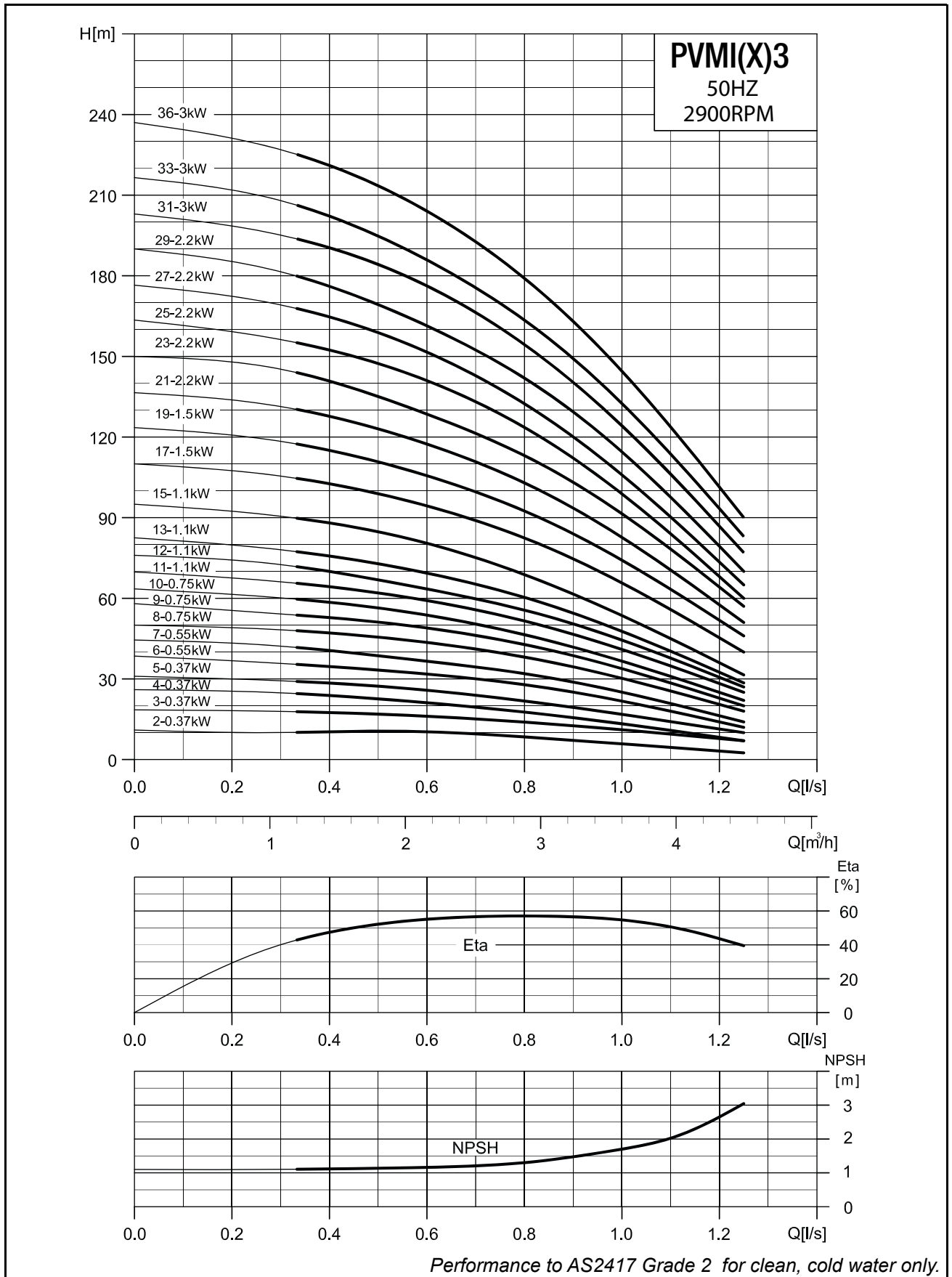
Flange (DIN - ANSI - JIS)  
PN 25/DN25/32

Construction Materials		PVMI	PVMX
Motor Bracket	Ductile Iron	ASTM A530 70-50-05	
Top Cap	Stainless Steel	AISI 304	AISI 316
Impeller	Stainless steel	AISI 304	AISI 316
Shaft	Stainless steel	AISI 431	AISI 316
Outer Sleeve	Stainless Steel	AISI 304	AISI 316
Outer Sleeve O Ring			EPDM
Diffuser	Stainless Steel	AISI 304	AISI 316
Neck Ring			PTFE
Base	Stainless Steel	AISI 304	AISI 316
Base plate	Cast Iron	ASTM A48 25B	
Coupling	Fe-Cu-C	MPIF FC0525	
Mechanical Seal	Cartridge Type	SiC/SiC	
<b>Pump Range PVMI/PVMX</b>			
Nominal Flow	1m <sup>3</sup> /h		
Flow Range	0.7 - 2.4m <sup>3</sup> /h		
Maximum Head	22 bar		
Max. Inlet Pressure	10 bar		
Max. Operating Pressure	25 bar		
Fluid Temperature	-15 to +120°C		
<b>Motor</b>			
Single Phase	220-230/240V		
Three Phase	220-240/380-415V		
Insulation	Class F		
Enclosure	IP55		
Ambient Temp	40°C		
<b>Connections</b>			
Flange	DIN(ISO) PN16/25 DN25/32 ANSI Class 300 NB25/32 AS2129 Table D/E NB25/32 (Use M12 Bolts) AS2129 Table F/H NB32/40		

DIMENSIONS AND WEIGHTS (3 PHASE UNITS)						
Pump Type	Motor P2 (kW)	Dimension (mm)				Net Weight (kg)
		H1	H2	D1	D2	
PVMI 1-2	0.37	282	542	160	155	20.0
PVMI 1-3	0.37	282	542	160	155	21.0
PVMI 1-4	0.37	300	560	160	155	21.0
PVMI 1-5	0.37	318	578	160	155	21.0
PVMI 1-6	0.37	336	596	160	155	22.0
PVMI 1-7	0.37	354	614	160	155	22.0
PVMI 1-8	0.55	372	632	160	155	23.0
PVMI 1-9	0.55	390	650	160	155	24.0
PVMI 1-10	0.55	408	668	160	155	24.0
PVMI 1-11	0.55	426	686	160	155	24.0
PVMI 1-12	0.75	450	710	160	155	27.0
PVMI 1-13	0.75	468	728	160	155	28.0
PVMI 1-15	0.75	504	764	160	155	28.0
PVMI 1-17	1.1	540	800	160	155	31.0
PVMI 1-19	1.1	576	836	160	155	32.0
PVMI 1-21	1.1	612	872	160	155	33.0
PVMI 1-23	1.1	648	908	160	155	34.0
PVMI 1-25	1.5	700	1005	175	165	41.0
PVMI 1-27	1.5	736	1041	175	165	41.8
PVMI 1-30	1.5	790	1095	175	165	42.9
PVMI 1-33	2.2	844	1179	175	165	46.0
PVMI 1-36	2.2	898	1233	175	165	47.2

PVMI 1 Motor Data						
Power (kW)	0.37	0.55	0.75	1.1	1.5	2.2
In (A) 1 x 240V	2.50	3.60	4.70	6.50	8.70	12.5
In (A) 3 x 415V	1.20	1.70	2.10	2.83	3.70	5.20

Performance to AS2417 Grade 2 for clean, cold water only.

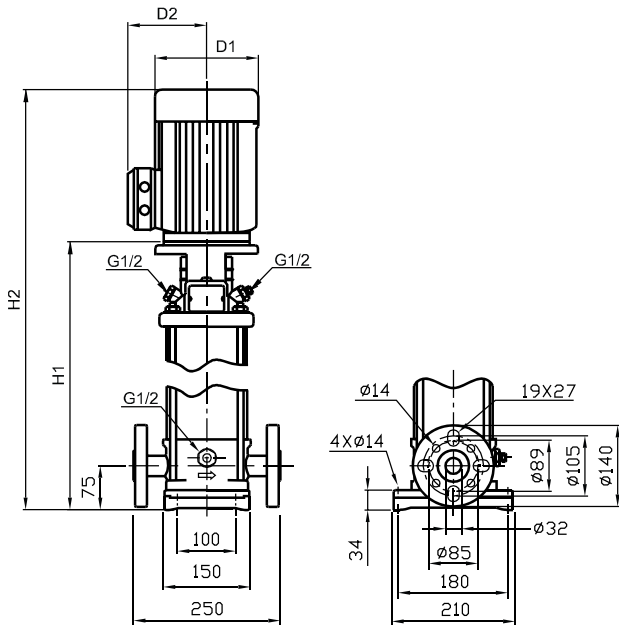
**PERFORMANCE DATA**


# MODEL PVM1 3

## PVMI Vertical Multi-Stage Pumps



### TECHNICAL DATA



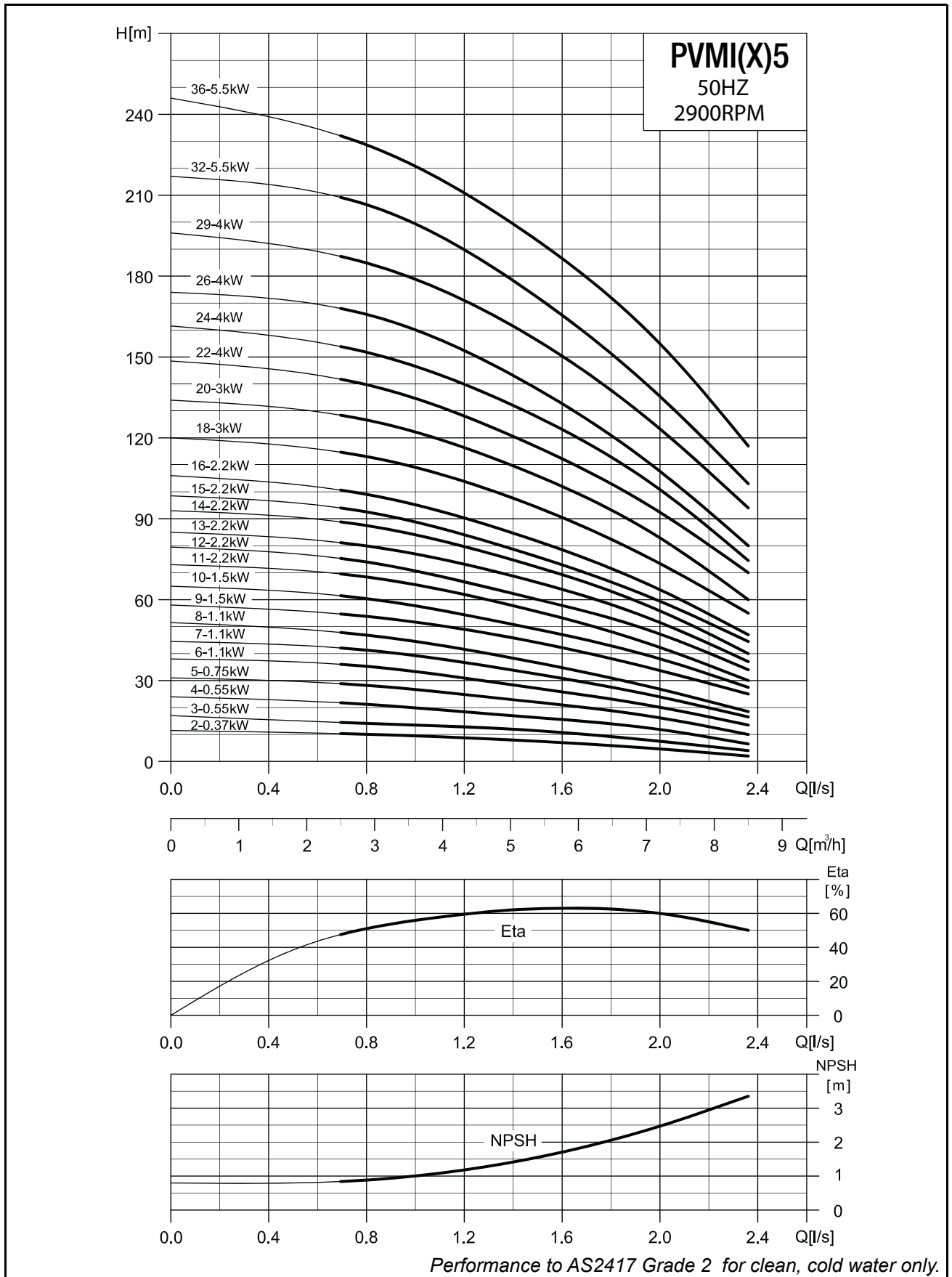
Flange (DIN - ANSI - JIS)  
PN 25/DN25/32

Construction Materials		PVMI	PVMX
Motor Bracket	Ductile Iron	ASTM A530 70-50-05	
Top Cap	Stainless Steel	AISI 304	AISI 316
Impeller	Stainless steel	AISI 304	AISI 316
Shaft	Stainless steel	AISI 431	AISI 316
Outer Sleeve	Stainless Steel	AISI 304	AISI 316
Outer Sleeve O Ring		EPDM	
Diffuser	Stainless Steel	AISI 304	AISI 316
Neck Ring		PTFE	
Base	Stainless Steel	AISI 304	AISI 316
Base plate	Cast Iron	ASTM A48 25B	
Coupling	Fe-Cu-C	MPIF FC0525	
Mechanical Seal	Cartridge Type	SiC/SiC	
Pump Range PVM1/PVMX			
Nominal Flow	3m <sup>3</sup> /h		
Flow Range	1.2 - 4.5m <sup>3</sup> /h		
Maximum Head	24 bar		
Max. Inlet Pressure	10 bar (2-29 stages) 15 bar (31-36 stages)		
Max. Operating Pressure	25 bar		
Fluid Temperature	-15 to +120°C		
Motor			
Single Phase	220-230/240V		
Three Phase	220-240/380-415V		
Insulation	Class F		
Enclosure	IP55		
Ambient Temp	40°C		
Connections			
Flange	DIN(ISO) PN16/25 DN25/32 ANSI Class 300 NB25/32 AS2129 Table D/E NB25/32 (Use M12 Bolts) AS2129 Table F/H NB32/40		

DIMENSIONS AND WEIGHTS (3 PHASE UNITS)						
Pump Type	Motor P2(kW)	Dimension (mm)				Net Weight (kg)
		H1	H2	D1	D2	
PVMI 3-2	0.37	282	542	160	155	19.0
PVMI 3-3	0.37	282	542	160	155	19.0
PVMI 3-4	0.37	300	560	160	155	19.0
PVMI 3-5	0.37	318	578	160	155	20.0
PVMI 3-6	0.55	336	596	160	155	21.0
PVMI 3-7	0.55	354	614	160	155	21.0
PVMI 3-8	0.75	378	638	160	155	24.0
PVMI 3-9	0.75	396	655	160	155	24.0
PVMI 3-10	0.75	414	674	160	155	25.0
PVMI 3-11	1.1	432	692	160	155	27.0
PVMI 3-12	1.1	450	710	160	155	28.0
PVMI 3-13	1.1	468	728	160	155	28.0
PVMI 3-15	1.1	504	764	160	155	29.0
PVMI 3-17	1.5	556	861	175	165	38.1
PVMI 3-19	1.5	592	897	175	165	38.8
PVMI 3-21	2.2	628	963	175	165	41.6
PVMI 3-23	2.2	664	999	175	165	42.3
PVMI 3-25	2.2	700	1035	175	165	43.1
PVMI 3-27	2.2	736	1072	175	165	43.8
PVMI 3-29	2.2	772	1107	175	165	44.6
PVMI 3-31	3.0	812	1152	200	170	52.8
PVMI 3-33	3.0	848	1188	200	170	53.5
PVMI 3-36	3.0	902	1242	200	170	54.7

PVM1 3 Motor Data							
Power (kW)	0.37	0.55	0.75	1.1	1.5	2.2	3.0
In (A) 1 x 240V	2.50	3.60	4.70	6.50	8.70	12.5	16.7
In (A) 3 x 415V	1.20	1.70	2.10	2.83	3.70	5.20	6.10

Performance to AS2417 Grade 2 for clean, cold water only.

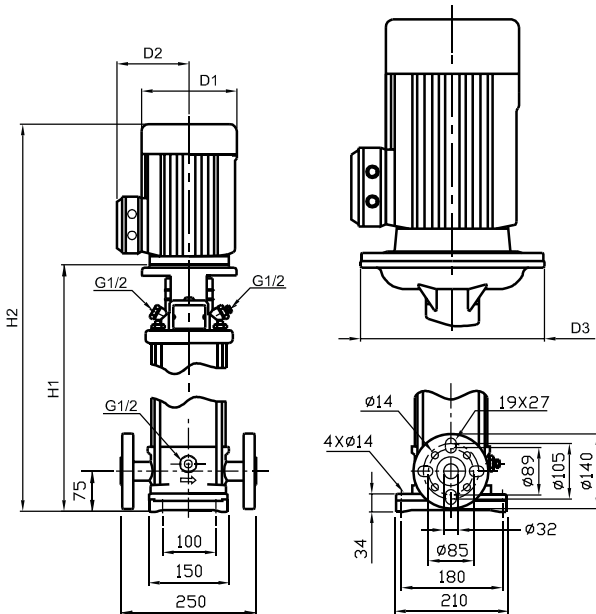
**PERFORMANCE DATA**


# MODEL PVMI 5

## PVMI Vertical Multi-Stage Pumps



### TECHNICAL DATA



Flange (DIN - ANSI - JIS)  
PN 25/DN25/32

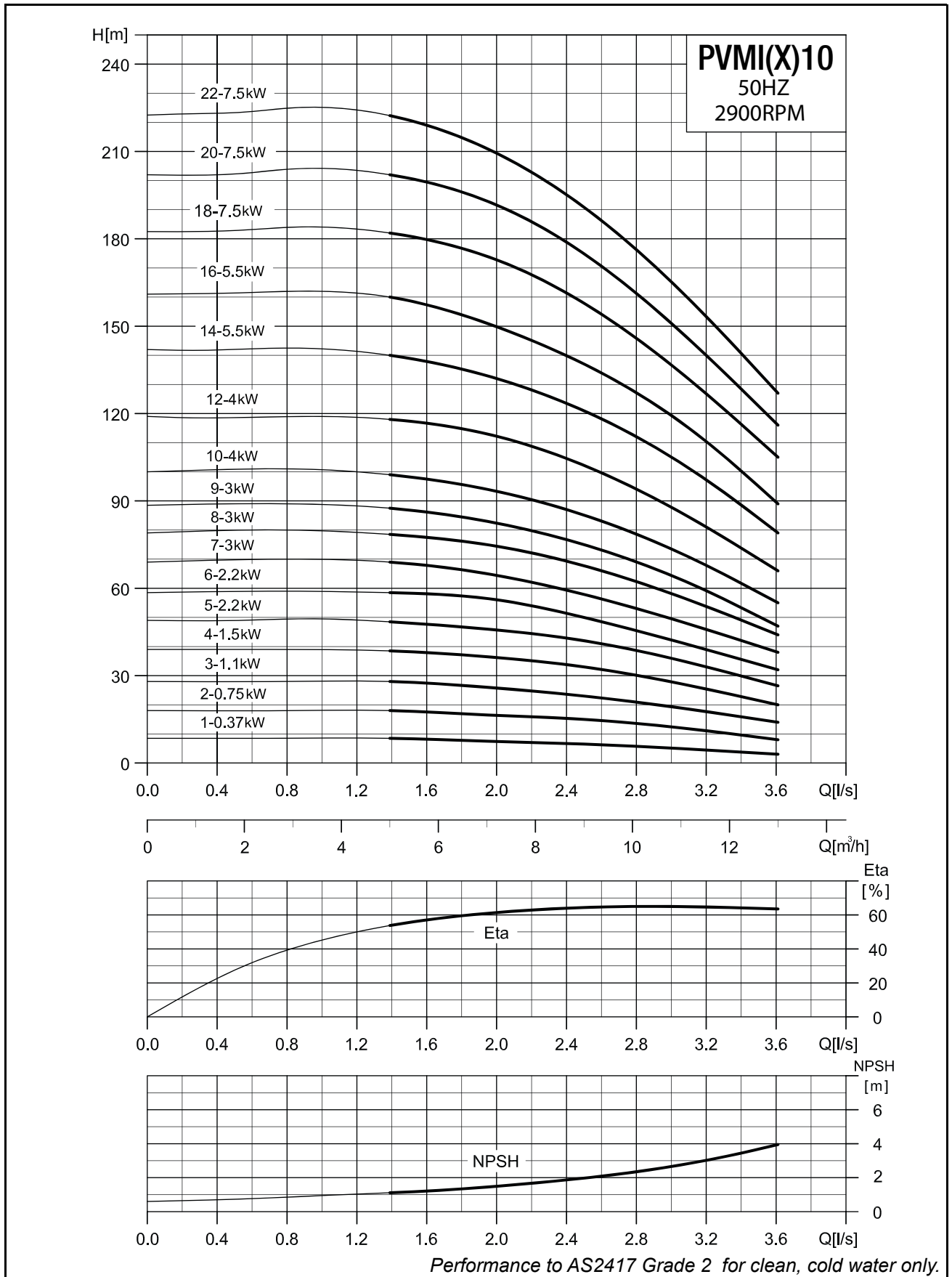
Construction Materials		PVMI	PVMX
Motor Bracket	Ductile Iron	ASTM A530 70-50-05	
Top Cap	Stainless Steel	AISI 304	AISI 316
Impeller	Stainless steel	AISI 304	AISI 316
Shaft	Stainless steel	AISI 431	AISI 316
Outer Sleeve	Stainless Steel	AISI 304	AISI 316
Outer Sleeve O Ring		EPDM	
Diffuser	Stainless Steel	AISI 304	AISI 316
Neck Ring		PTFE	
Base	Stainless Steel	AISI 304	AISI 316
Base plate	Cast Iron	ASTM A48 25B	
Coupling	Fe-Cu-C	MPIF FC0525	
Mechanical Seal	Cartridge Type	SiC/SiC	
Pump Range PVMI/PVMX			
Nominal Flow	5m <sup>3</sup> /h		
Flow Range	2.5 - 8.5m <sup>3</sup> /h		
Maximum Head	24 bar		
Max. Inlet Pressure	10 bar (2-16 stages) 15 bar (18-36 stages)		
Max. Operating Pressure	25 bar		
Fluid Temperature	-15 to +120°C		
Motor			
Single Phase	220-230/240V		
Three Phase	220-240/380-415V		
Insulation	Class F		
Enclosure	IP55		
Ambient Temp	40°C		
Connections			
Flange	DIN(ISO) PN16/25 DN25/32 ANSI Class 300 NB25/32 AS2129 Table D/E NB25/32 (Use M12 Bolts) AS2129 Table F/H NB32/40		

DIMENSIONS AND WEIGHTS (3 PHASE UNITS)							
Pump Type	Motor P2(kW)	Dimension (mm)					Net Weight (kg)
		H1	H2	D1	D2	D3	
PVMI 5-2	0.37	282	542	160	155	—	21.0
PVMI 5-3	0.55	309	569	160	155	—	22.0
PVMI 5-4	0.55	336	596	160	155	—	22.0
PVMI 5-5	0.75	369	629	160	155	—	25.0
PVMI 5-6	1.1	396	656	160	155	—	28.0
PVMI 5-7	1.1	423	683	160	155	—	28.0
PVMI 5-8	1.1	450	710	160	155	—	29.0
PVMI 5-9	1.5	493	798	175	165	—	36.5
PVMI 5-10	1.5	520	825	175	165	—	37.1
PVMI 5-11	2.2	547	882	175	165	—	39.6
PVMI 5-12	2.2	574	909	175	165	—	40.2
PVMI 5-13	2.2	601	935	175	165	—	40.8
PVMI 5-14	2.2	628	963	175	165	—	41.3
PVMI 5-15	2.2	655	990	175	165	—	41.9
PVMI 5-16	2.2	682	1017	175	165	—	42.5
PVMI 5-18	3.0	740	1080	200	170	—	51.1
PVMI 5-20	3.0	794	1134	200	170	—	52.2
PVMI 5-22	4.0	848	1253	220	188	—	60.4
PVMI 5-24	4.0	902	1407	220	188	—	61.5
PVMI 5-26	4.0	956	1361	220	188	—	62.6
PVMI 5-29	4.0	1037	1442	220	188	—	64.4
PVMI 5-32	5.5	1148	1578	275	213	300	83.2
PVMI 5-36	5.5	1256	1686	275	213	300	85.5

PVMI 5 Motor Data									
Power (kW)	0.37	0.55	0.75	1.1	1.5	2.2	3.0	4.0	5.5
In (A) 1 x 240V	2.50	3.60	4.70	6.50	8.70	12.5	16.7	—	—
In (A) 3 x 415V	1.20	1.70	2.10	2.83	3.70	5.20	6.10	7.7	9.9

Performance to AS2417 Grade 2 for clean, cold water only.



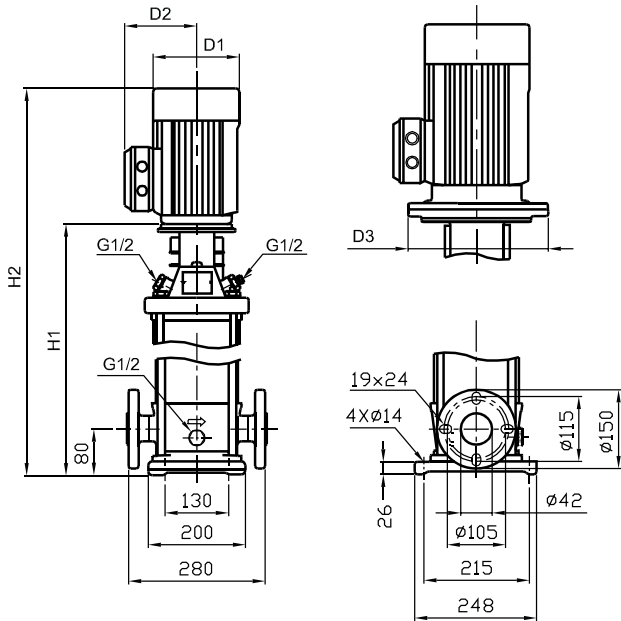
**PERFORMANCE DATA**


# MODEL PVMI 10

## PVMI Vertical Multi-Stage Pumps



### TECHNICAL DATA



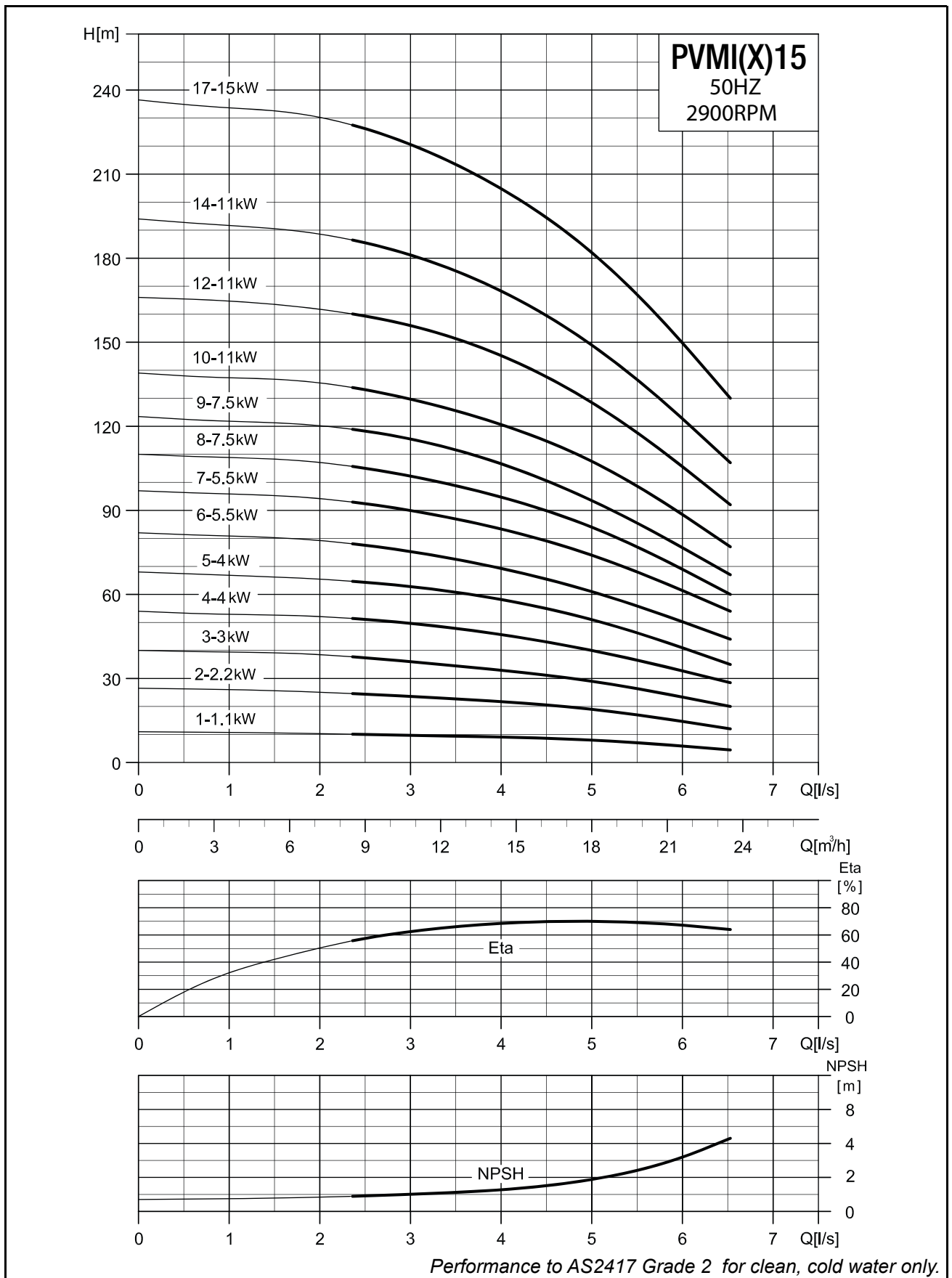
Flange (DIN - ANSI - JIS)  
PN 16-25/DN40

Construction Materials		PVMI	PVMX
Motor Bracket	Ductile iron	ASTM A530 70-50-05	
Top Cap	Stainless Steel	AISI 304	AISI 316
Impeller	Stainless steel	AISI 304	AISI 316
Shaft	Stainless steel	AISI 431	AISI 316
Outer Sleeve	Stainless Steel	AISI 304	AISI 316
Outer Sleeve O Ring			EPDM
Diffuser	Stainless Steel	AISI 304	AISI 316
Neck Ring			PTFE
Base	Stainless Steel	AISI 304	AISI 316
Base plate	Cast Iron	ASTM A48 25B	
Coupling	Fe-Cu-C	MPIF FC0525	
Mechanical Seal	Cartridge Type	SiC/SiC	
<b>Pump Range PVMI/PVMX</b>			
Nominal Flow	10m <sup>3</sup> /h		
Flow Range	5 - 13m <sup>3</sup> /h		
Maximum Head	22 bar		
Max. Inlet Pressure	8 bar (1-6 stages) 10 bar (7-22 stages)		
Max. Operating Pressure	16 bar (1-16 stages) 25 bar (18-22 stages)		
Fluid Temperature	-15 to +120°C		
<b>Motor</b>			
Single Phase	220-230/240V		
Three Phase	220-240/380-415V		
Insulation	Class F		
Enclosure	IP55		
Ambient Temp	40°C		
<b>Connections</b>			
Flange	DIN(ISO) PN16/25 DN40 ANSI Class 300 NB40 AS2129 Table D/E NB50 AS2129 Table F/H NB40		

DIMENSIONS AND WEIGHTS (3 PHASE UNITS)							
Pump Type	Motor P2(kW)	Dimension (mm)					Net Weight (kg)
		H1	H2	D1	D2	D3	
PVMI 10-1	0.37	353	613	160	155	—	32.0
PVMI 10-2	0.75	357	617	160	155	—	34.0
PVMI 10-3	1.1	387	647	160	155	—	38.0
PVMI 10-4	1.5	433	738	175	165	—	47.1
PVMI 10-5	2.2	463	798	175	165	—	50.1
PVMI 10-6	2.2	493	828	175	165	—	51.1
PVMI 10-7	3.0	528	868	200	170	—	58.9
PVMI 10-8	3.0	558	898	200	170	—	60.0
PVMI 10-9	3.0	588	928	200	170	—	61.0
PVMI 10-10	4.0	618	1023	220	188	—	69.0
PVMI 10-12	4.0	678	1083	220	188	—	71.0
PVMI 10-14	5.5	770	1200	275	213	300	96.4
PVMI 10-16	5.5	830	1260	275	213	300	98.5
PVMI 10-18	7.5	890	1320	275	213	300	108.5
PVMI 10-20	7.5	950	1380	275	213	300	110.5
PVMI 10-22	7.5	1010	1440	275	213	300	112.6

PVMI 10 Motor Data										
Power (kW)	0.37	0.75	1.1	1.5	2.2	3.0	4.0	5.5	7.5	
In (A) 1 x 240V	2.50	4.70	6.50	8.70	12.5	16.7	—	—	—	
In (A) 3 x 415V	1.20	2.10	2.83	3.70	5.20	6.10	7.7	9.9	14.9	

Performance to AS2417 Grade 2 for clean, cold water only.

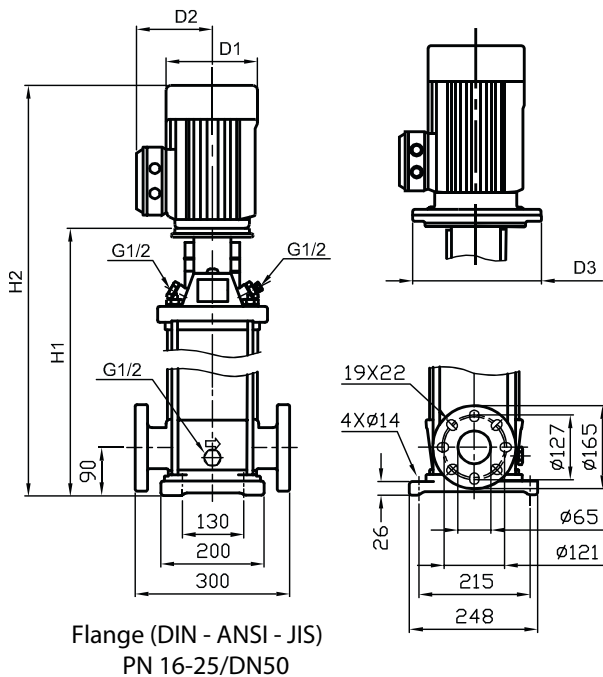
**PERFORMANCE DATA**


# MODEL PVM1 15

## PVMI Vertical Multi-Stage Pumps



### TECHNICAL DATA

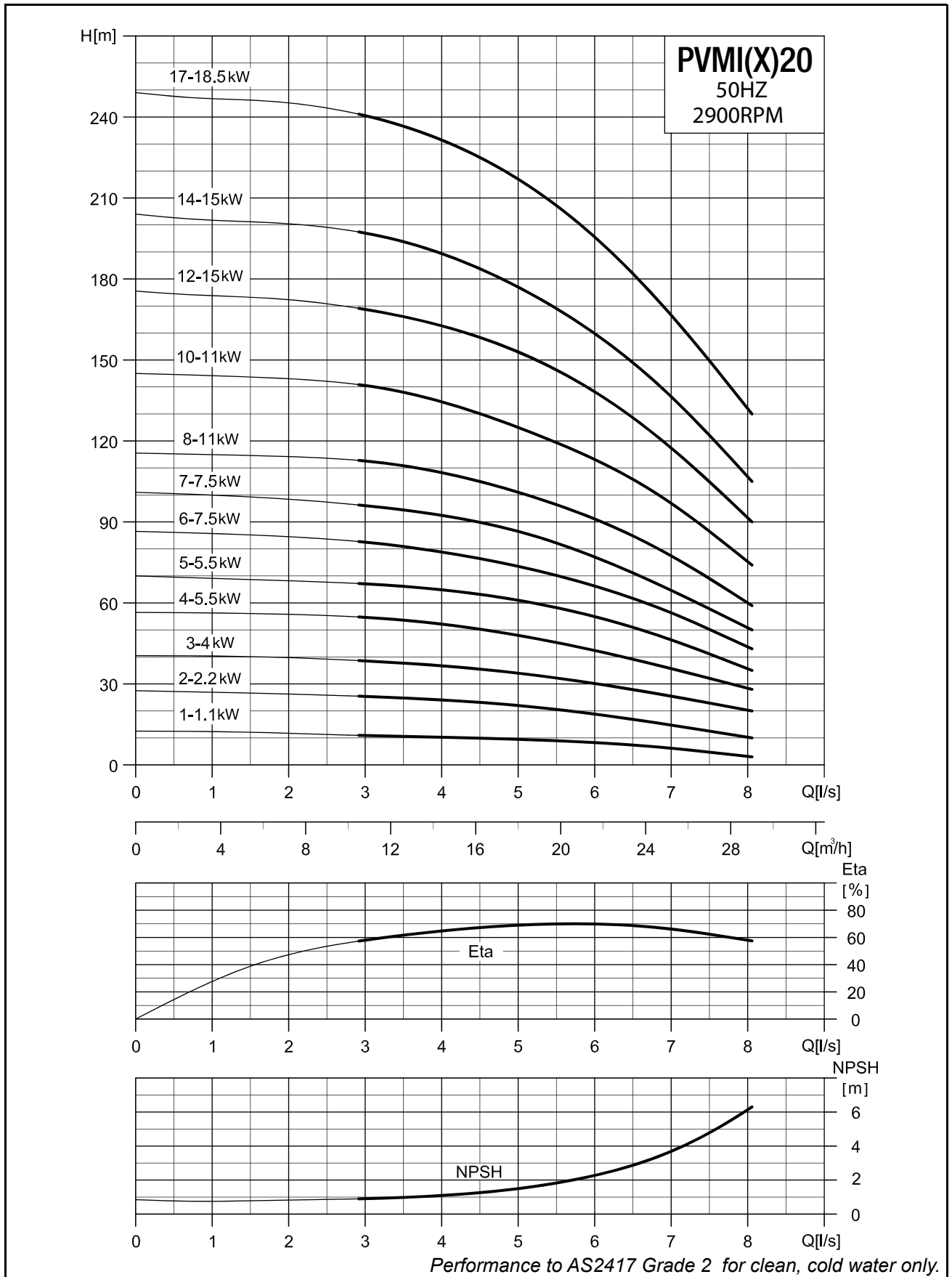


Construction Materials	PVMI	PVMX
Motor Bracket	Ductile Iron	ASTM A530 70-50-05
Top Cap	Stainless Steel	AISI 304   AISI 316
Impeller	Stainless steel	AISI 304   AISI 316
Shaft	Stainless steel	AISI 431   AISI 316
Outer Sleeve	Stainless Steel	AISI 304   AISI 316
Outer Sleeve O Ring		EPDM
Diffuser	Stainless Steel	AISI 304   AISI 316
Neck Ring		PTFE
Base	Stainless Steel	AISI 304   AISI 316
Base plate	Cast Iron	ASTM A48 25B
Coupling	Fe-Cu-C	MPIF FC0525
Mechanical Seal	Cartridge Type	SiC/SiC
<b>Pump Range PVMI/PVMX</b>		
Nominal Flow	15m <sup>3</sup> /h	
Flow Range	9 - 24m <sup>3</sup> /h	
Maximum Head	23 bar	
Max. Inlet Pressure	8 bar (1-3 stages) 10 bar (4-17 stages)	
Max. Operating Pressure	16 bar (1-10 stages) 25bar (12-17 stages)	
Fluid Temperature	-15 to +120°C	
<b>Motor</b>		
Single Phase	220-230/240V	
Three Phase	220-240/380-415V	
Insulation	Class F	
Enclosure	IP55	
Ambient Temp	40°C	
<b>Connections</b>		
Flange	DIN(ISO) PN16/25 DN50 ANSI Class 300 NB50 AS2129 Table D/E NB65 AS2129 Table F/H NB50	

Pump Type	Motor P2(kW)	DIMENSIONS AND WEIGHTS (3 PHASE UNITS)					Net Weight (kg)
		Dimension (mm)					
		H1	H2	D1	D2	D3	
PVMI 15-1	1.1	397	657	160	155	—	42.0
PVMI 15-2	2.2	413	748	175	165	—	48.8
PVMI 15-3	3.0	463	803	200	170	—	57.0
PVMI 15-4	4.0	508	913	220	188	—	65.4
PVMI 15-5	4.0	553	958	220	188	—	66.8
PVMI 15-6	5.5	630	1060	275	213	300	91.6
PVMI 15-7	5.5	675	1105	275	213	300	93.0
PVMI 15-8	7.5	720	1150	275	213	300	102.4
PVMI 15-9	7.5	765	1205	275	213	300	103.8
PVMI 15-10	11.0	887	1392	314	260	350	180.9
PVMI 15-12	11.0	977	1482	314	260	350	183.7
PVMI 15-14	11.0	1067	1572	314	260	350	186.5
PVMI 15-17	15.0	1202	1707	314	260	350	190.7

PVMI 15 Motor Data										
Power (kW)	1.1	1.5	2.2	3.0	4.0	5.5	7.5	11.0	15.0	
In (A) 1 x 240V	6.50	8.70	12.5	16.7	—	—	—	—	—	
In (A) 3 x 415V	2.83	3.70	5.20	6.10	7.7	9.9	14.9	21.2	29.2	

Performance to AS2417 Grade 2 for clean, cold water only.

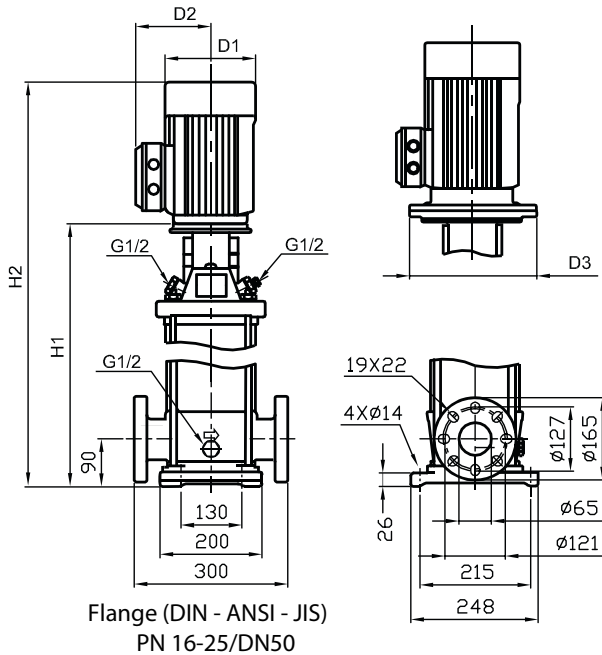
**PERFORMANCE DATA**


# MODEL PVM1 20

## PVM1 Vertical Multi-Stage Pumps



### TECHNICAL DATA

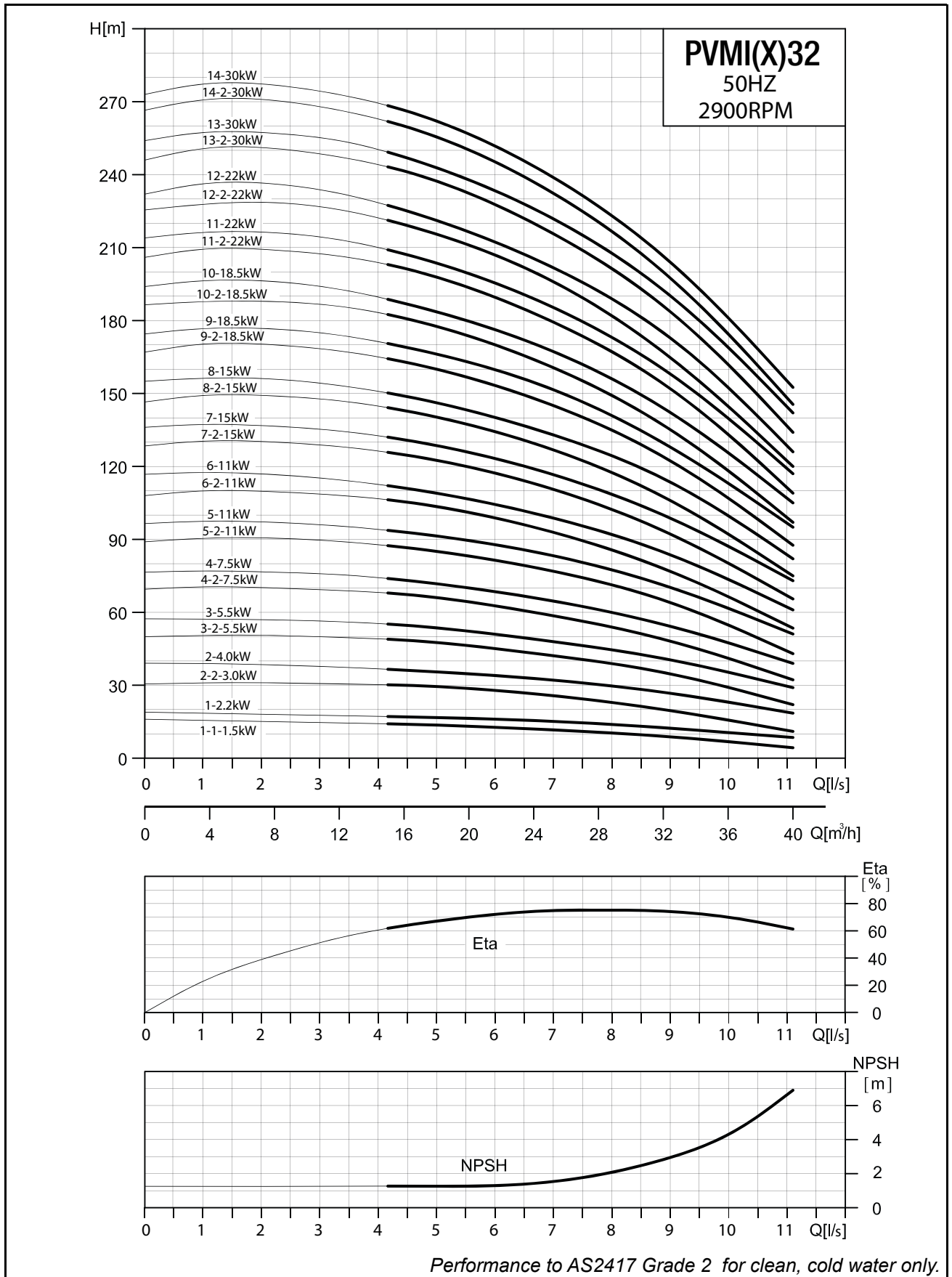


Construction Materials		PVM1	PVMX
Motor Bracket	Ductile Iron	ASTM A530 70-50-05	
Top Cap	Stainless Steel	AISI 304	AISI 316
Impeller	Stainless steel	AISI 304	AISI 316
Shaft	Stainless steel	AISI 431	AISI 316
Outer Sleeve	Stainless Steel	AISI 304	AISI 316
Outer Sleeve O Ring		EPDM	
Diffuser	Stainless Steel	AISI 304	AISI 316
Neck Ring		PTFE	
Base	Stainless Steel	AISI 304	AISI 316
Base plate	Cast Iron	ASTM A48 25B	
Coupling	Fe-Cu-C	MPIF FC0525	
Mechanical Seal	Cartridge Type	SiC/SiC	
Pump Range PVM1/PVMX			
Nominal Flow	20m <sup>3</sup> /h		
Flow Range	11 - 29m <sup>3</sup> /h		
Maximum Head	25 bar		
Max. Inlet Pressure	8 bar (1-3 stages) 10 bar (4-17 stages)		
Max. Operating Pressure	16 bar (1-10 stages) 25 bar (12-17 stages)		
Fluid Temperature	-15 to +120°C		
Motor			
Single Phase	220-230/240V		
Three Phase	220-240/380-415V		
Insulation	Class F		
Enclosure	IP55		
Ambient Temp	40°C		
Connections			
Flange	DIN(ISO) PN16/25 DN50		
	ANSI Class 300 NB50		
	AS2129 Table D/E NB65		
	AS2129 Table F/H NB50		

DIMENSIONS AND WEIGHTS (3 PHASE UNITS)							
Pump Type	Motor P2(kW)	Dimension (mm)					Net Weight (kg)
		H1	H2	D1	D2	D3	
PVM1 20-1	1.1	397	657	160	155	—	39.0
PVM1 20-2	2.2	413	748	175	165	—	48.8
PVM1 20-3	4.0	463	868	220	188	—	64.0
PVM1 20-4	5.5	540	970	275	213	300	88.8
PVM1 20-5	5.5	585	1015	275	213	300	90.2
PVM1 20-6	7.5	630	1060	275	213	300	99.6
PVM1 20-7	7.5	675	1105	275	213	300	101.0
PVM1 20-8	11.0	797	1305	314	260	350	178.1
PVM1 20-10	11.0	887	1392	314	260	350	180.9
PVM1 20-12	15.0	977	1482	314	260	350	183.7
PVM1 20-14	15.0	1067	1572	314	260	350	186.5
PVM1 20-17	18.5	1202	1707	314	260	350	212.7

PVM1 20 Motor Data								
Power (kW)	1.1	2.2	4.0	5.5	7.5	11.0	15.0	18.5
In (A) 1 x 240V	6.50	12.5	—	—	—	—	—	—
In (A) 3 x 415V	2.83	5.20	7.7	9.9	14.9	21.2	29.2	34.4

Performance to AS2417 Grade 2 for clean, cold water only.

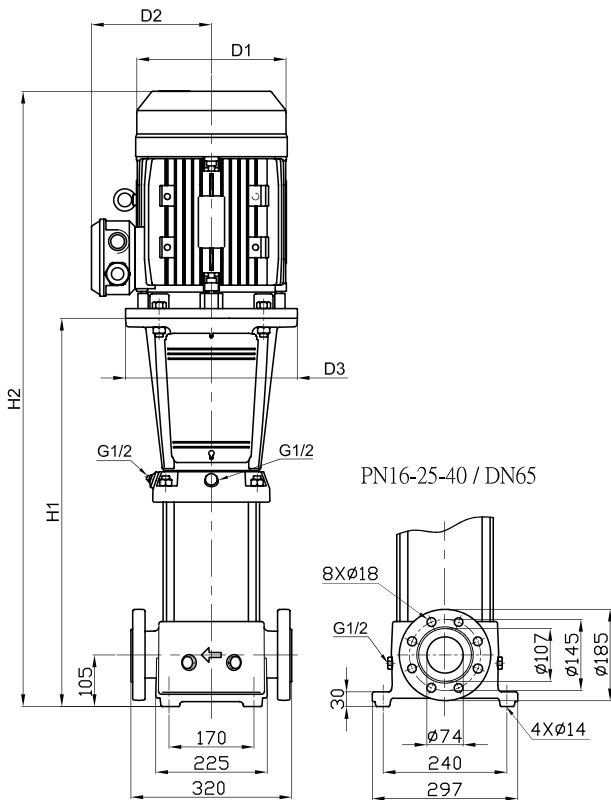
**PERFORMANCE DATA**


# MODEL PVM1 32

## PVM1 Vertical Multi-Stage Pumps



### TECHNICAL DATA



Construction Materials		PVM1	PVMX
Motor Bracket	Grey Cast Iron	ASTM 48-35B	
Top Cap	Stainless Steel	AISI 304	AISI 316
Impeller	Stainless steel	AISI 304	AISI 316
Shaft	Stainless steel	AISI 431	AISI 316
Outer Sleeve	Stainless Steel	AISI 304	AISI 316
Outer Sleeve O Ring		EPDM	
Diffuser	Stainless Steel	AISI 304	AISI 316
Neck Ring		Carbon + POB + PTFE	
Base	Stainless Steel	AISI 304	AISI 316
Base plate	Cast Iron	ASTM A48 25B	
Coupling	Ductile Iron	ASTM A530 70-50-05	
Mechanical Seal	Cartridge Type	SiC/SiC	
Pump Range PVM1/PVMX			
Nominal Flow	32m <sup>3</sup> /h		
Flow Range	15 - 40m <sup>3</sup> /h		
Maximum Head	27.5 bar		
Max. Inlet Pressure	4 bar (1-4 stages) 10 bar (5-10 stages) 15 bar (11-14 stages)		
Max. Operating Pressure	16 bar (1-7 stages) 30 bar (8-14 stages)		
Fluid Temperature	-15 to +120°C		
Motor			
Single Phase	220-230/240V		
Three Phase	220-240/380-415V		
Insulation	Class F		
Enclosure	IP55		
Ambient Temp	40°C		
Connections			
Flange	DIN(ISO) PN16/25/40 DN65 ANSI Class 300 NB65		

#### DIMENSIONS AND WEIGHTS (3 PHASE UNITS)

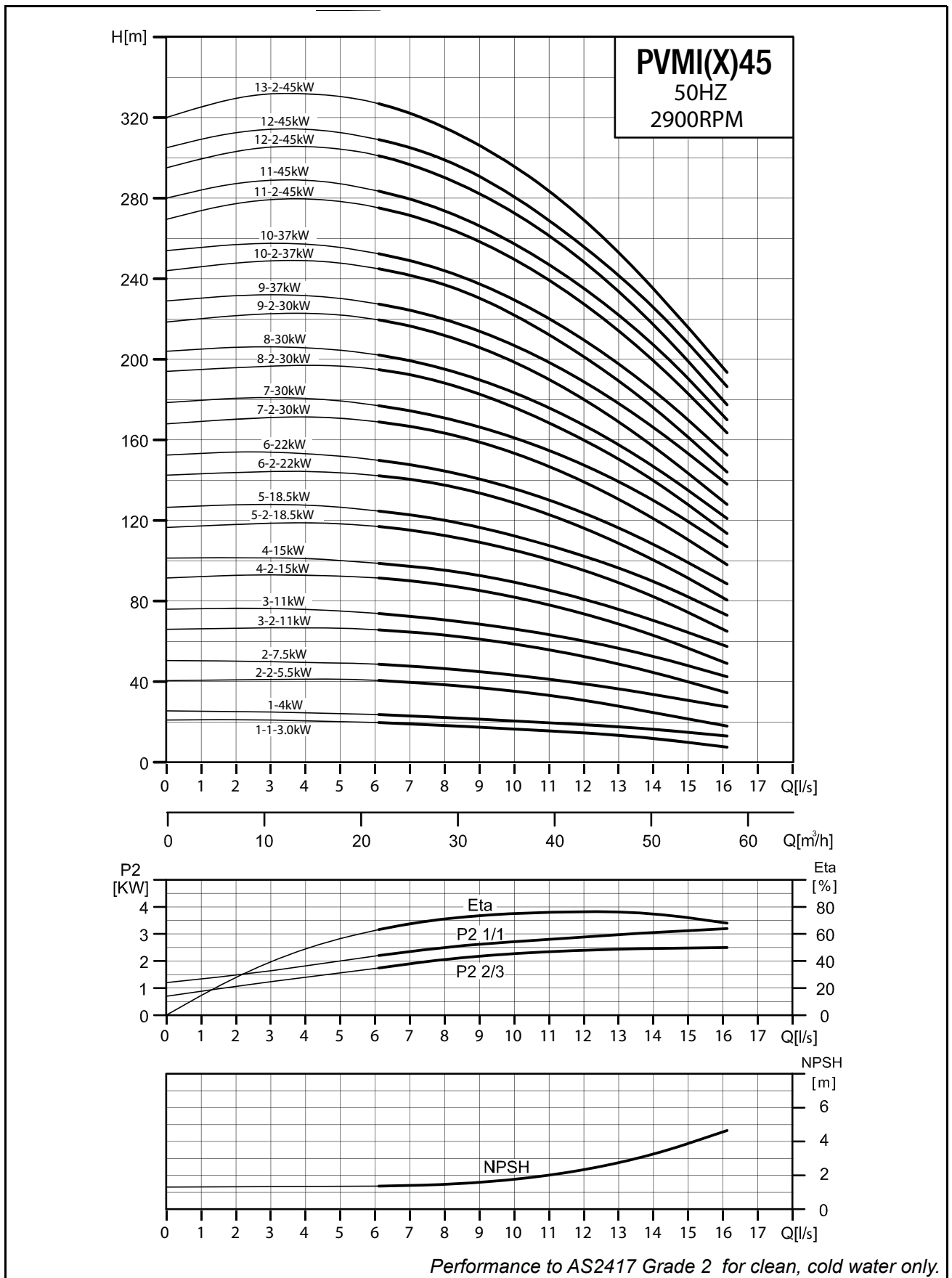
Pump Type	Motor P2(kW)	Dimension (mm)					Net Weight (kg)
		H1	H2	D1	D2	D3	
PVM1 32-1-1	1.5	505	860	175	160	135	70
PVM1 32-1	2.2	505	890	175	160	135	79
PVM1 32-2-2	3.0	575	1005	197	180	143	89
PVM1 32-2	4.0	575	1040	220	190	158	98
PVM1 32-3-2 / PVM1 32-3	5.5	645	1155	262	210	298	107
PVM1 32-4-2 / PVM1 32-4	7.5	715	1225	262	210	298	115
PVM1 32-5-2 / PVM1 32-5	11.0	895	1510	314	255	350	156
PVM1 32-6-2 / PVM1 32-6	11.0	965	1580	314	255	350	160
PVM1 32-7-2 / PVM1 32-7	15.0	1035	1650	314	255	350	197
PVM1 32-8-2 / PVM1 32-8	15.0	1105	1720	314	255	350	201
PVM1 32-9-2 / PVM1 32-9	18.5	1175	1845	314	255	350	215
PVM1 32-10-2 / PVM1 32-10	18.5	1245	1915	314	255	350	219
PVM1 32-11-2 / PVM1 32-11	22	1315	2015	348	280	350	276
PVM1 32-12-2 / PVM1 32-12	22	1385	2085	348	280	350	280
PVM1 32-13-2 / PVM1 32-13	30	1455	2225	386	305	400	362
PVM1 32-14-2 / PVM1 32-14	30	1525	2295	386	305	400	366

#### PVM1 32 Motor Data

Power (kW)	1.5	2.2	3.0	4.0	5.5	7.5	11.0	15.0	18.5	22	30
In (A) 1 x 240V	8.7	12.5	16.7	—	—	—	—	—	—	—	—
In (A) 3 x 415V	2.92	4.2	5.53	7.22	9.8	13.2	19.0	25.6	31.5	36.9	49.9

Performance to AS2417 Grade 2 for clean, cold water only.



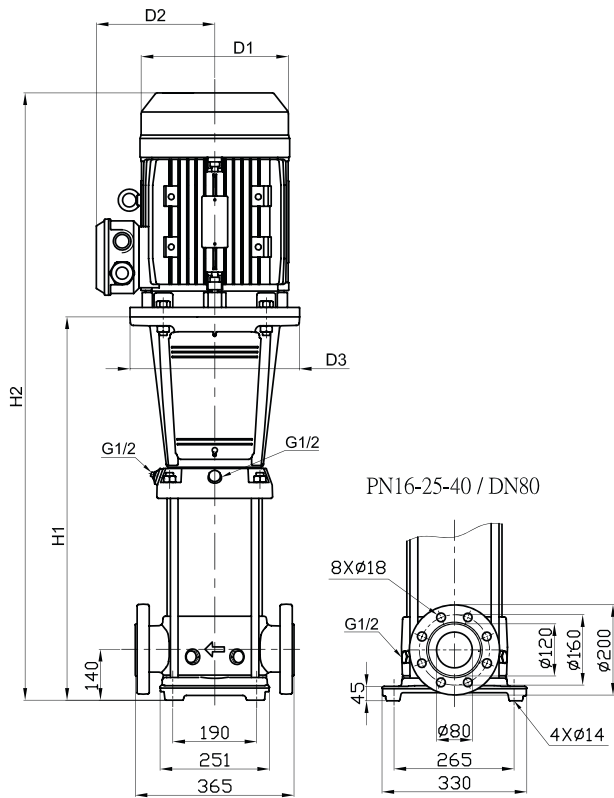
**PERFORMANCE DATA**


# MODEL PVM1 45

## PVM1 Vertical Multi-Stage Pumps



### TECHNICAL DATA

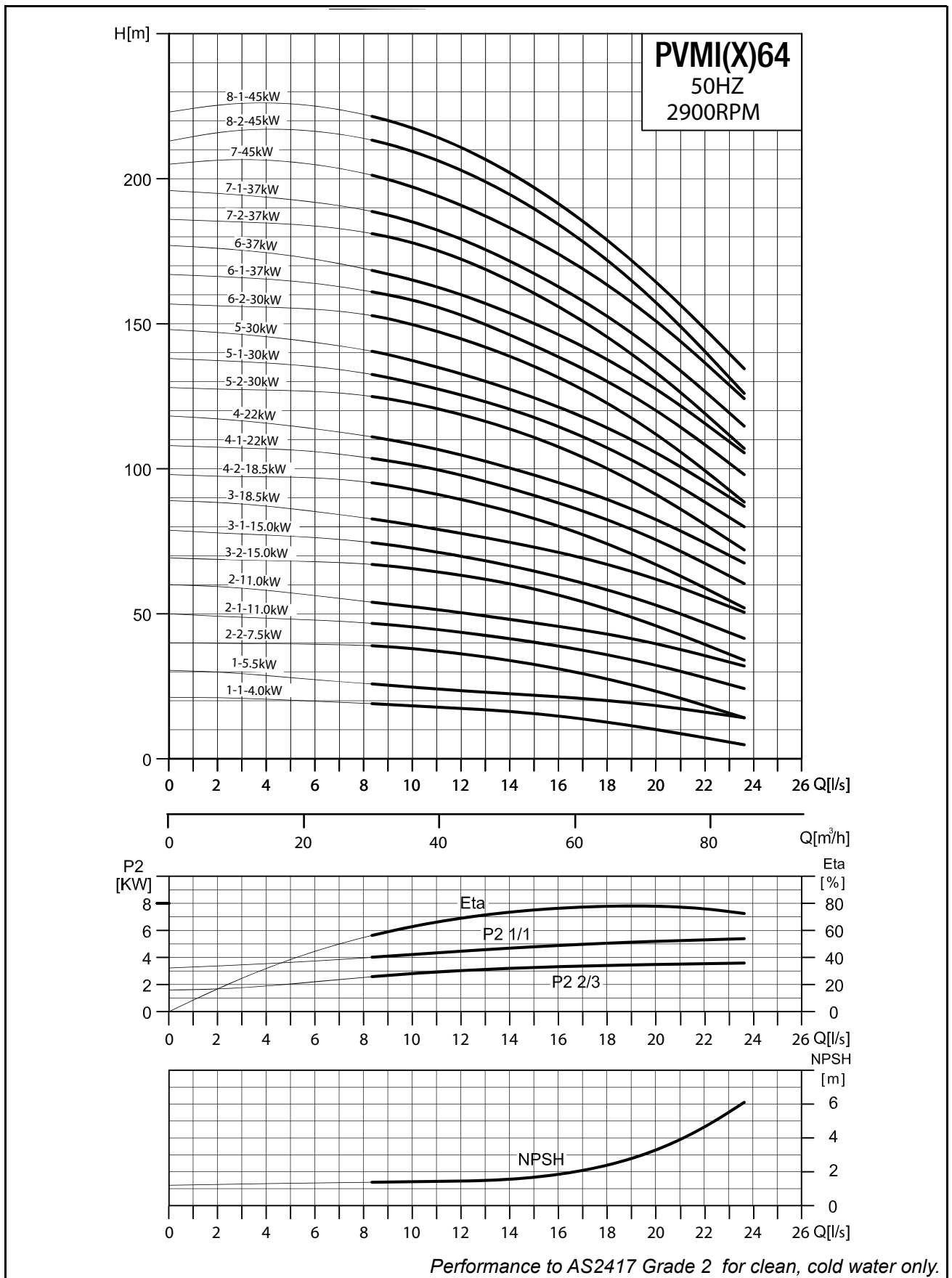


Construction Materials		PVM1	PVMX
Motor Bracket	Grey Cast Iron	ASTM 48-35B	
Top Cap	Stainless Steel	AISI 304	AISI 316
Impeller	Stainless steel	AISI 304	AISI 316
Shaft	Stainless steel	AISI 431	AISI 316
Outer Sleeve	Stainless Steel	AISI 304	AISI 316
Outer Sleeve O Ring		EPDM	
Diffuser	Stainless Steel	AISI 304	AISI 316
Neck Ring		Carbon + POB + PTFE	
Base	Stainless Steel	AISI 304	AISI 316
Base plate	Cast Iron	ASTM A48 25B	
Coupling	Ductile Iron	ASTM A530 70-50-05	
Mechanical Seal	Cartridge Type	SiC/SiC	
Pump Range PVM1/PVMX			
Nominal Flow	45m <sup>3</sup> /h		
Flow Range	22 - 58m <sup>3</sup> /h		
Maximum Head	26 bar		
Max. Inlet Pressure	4 bar (1-2 stages) 10 bar (3-5 stages) 15 bar (6-13 stages)		
Max. Operating Pressure	16 bar (1-5 stages) 30 bar (6-11 stages) 33 bar (12-13 stages)		
Fluid Temperature	-15 to +120°C		
Motor			
Single Phase	220-230/240V		
Three Phase	220-240/380-415V		
Insulation	Class F		
Enclosure	IP55		
Ambient Temp	40°C		
Connections			
Flange	DIN(ISO) PN16/25/40 DN80 ANSI Class 300 NB80		

DIMENSIONS AND WEIGHTS (3 PHASE UNITS)							
Pump Type	Motor P2(kW)	Dimension (mm)					Net Weight (kg)
		H1	H2	D1	D2	D3	
PVM1 45-1-1	3.0	559	989	197	180	280	79.3
PVM1 45-1	4.0	559	1024	220	190	280	86.3
PVM1 45-2-2	5.5	639	1149	262	210	300	103.8
PVM1 45-2	7.5	639	1149	262	210	300	112.8
PVM1 45-3-2 / PVM1 45-3	11.0	829	1494	314	255	350	150.1
PVM1 45-4-2 / PVM1 45-4	15.0	909	1524	314	255	350	164.7
PVM1 45-5-2 / PVM1 45-5	18.5	989	1659	314	255	350	203.4
PVM1 45-6-2 / PVM1 45-6	22.0	1069	1769	348	280	350	217.8
PVM1 45-7-2 / PVM1 45-7	30.0	1149	1919	386	305	400	306.7
PVM1 45-8-2 / PVM1 45-8	30.0	1229	1999	386	305	400	310.4
PVM1 45-9-2	30.0	1309	2079	386	305	400	383.1
PVM1 45-9	37.0	1309	2079	386	305	400	383.1
PVM1 45-10-2 / PVM1 45-10	37.0	1389	2159	386	305	400	386.7
PVM1 45-11-2 / PVM1 45-11	45.0	1469	2289	432	335	450	418.3
PVM1 45-12-2 / PVM1 45-12	45.0	1549	2369	432	335	450	421.9
PVM1 45-13-2	45.0	1629	2449	432	335	450	425.5

PVM1 45 Motor Data												
Power (kW)	3.0	4.0	5.5	7.5	11.0	15.0	18.5	22	30	37	45	
In (A) 1 x 240V	16.7	—	—	—	—	—	—	—	—	—	—	
In (A) 3 x 415V	5.53	7.22	9.8	13.2	19.0	25.6	31.5	36.9	49.9	61.3	74.2	

Performance to AS2417 Grade 2 for clean, cold water only.

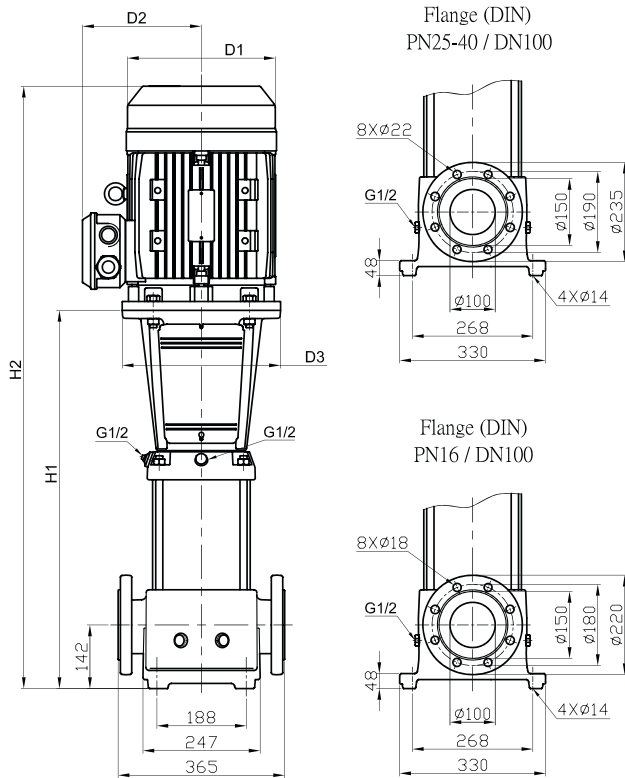
**PERFORMANCE DATA**


# MODEL PVM1 64

## PVM1 Vertical Multi-Stage Pumps



### TECHNICAL DATA



Construction Materials		PVM1	PVMX
Motor Bracket	Grey Cast Iron	ASTM 48-35B	
Top Cap	Stainless Steel	AISI 304	AISI 316
Impeller	Stainless steel	AISI 304	AISI 316
Shaft	Stainless steel	AISI 431	AISI 316
Outer Sleeve	Stainless Steel	AISI 304	AISI 316
Outer Sleeve O Ring		EPDM	
Diffuser	Stainless Steel	AISI 304	AISI 316
Neck Ring		Carbon + POB + PTFE	
Base	Stainless Steel	AISI 304	AISI 316
Base plate	Cast Iron	ASTM A48 25B	
Coupling	Ductile Iron	ASTM A530 70-50-05	
Mechanical Seal	Cartridge Type	SiC/SiC	
<b>Pump Range PVM1/PVMX</b>			
Nominal Flow	64m <sup>3</sup> /h		
Flow Range	30 - 85m <sup>3</sup> /h		
Maximum Head	21.8 bar		
Max. Inlet Pressure	4 bar (1-1)-(2-2) , 10 bar (2-1)-(4-2) stages 15 bar (4-1)-(8-1) stages		
Max. Operating Pressure	16 bar (1-1)-5 stages 30 bar (6-2)-(8-1)stages)		
Fluid Temperature	-15 to +120°C		
<b>Motor</b>			
Single Phase	220-230/240V		
Three Phase	220-240/380-415V		
Insulation	Class F		
Enclosure	IP55		
Ambient Temp	40°C		
<b>Connections</b>			
Flange	DIN(ISO) PN16/25/40 DN100 ANSI Class 300 NB100		

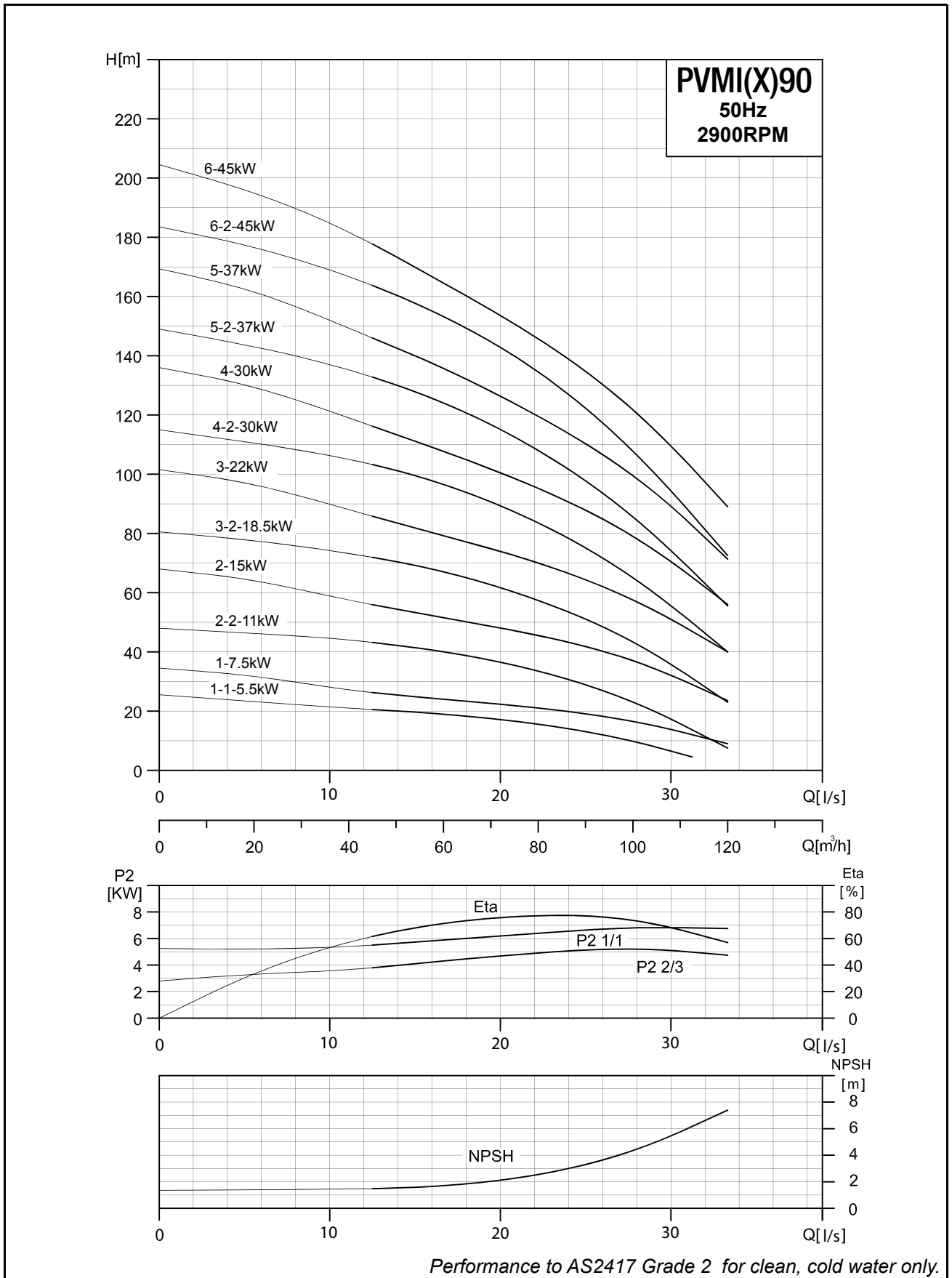
#### DIMENSIONS AND WEIGHTS (3 PHASE UNITS)

Pump Type	Motor P2(kW)	Dimension (mm)					Net Weight (kg)
		H1	H2	D1	D2	D3	
PVM1 64-1-1	4.0	563	968	220	190	280	97.5
PVM1 64-1	5.5	563	993	262	210	300	116.7
PVM1 64-2-2	7.5	646	1076	262	210	300	126.7
PVM1 64-2-1 / PVM1 64-2	11.0	756	1261	314	255	350	178.2
PVM1 64-3-2 / PVM1 64-3-1	15.0	838	1343	314	255	350	190.2
PVM1 64-3	18.5	838	1398	314	255	350	204.2
PVM1 64-4-2	18.5	921	1481	314	255	350	208.1
PVM1 64-4-1 / PVM1 64-4	22.0	921	1511	348	280	350	242.1
PVM1 64-5-2 / PVM1 64-5-1	30.0	1003	1663	386	305	400	329.2
PVM1 64-5	30.0	1003	1663	386	305	400	329.2
PVM1 64-6-2	30.0	1086	1746	386	305	400	333.1
PVM1 64-6-1 / PVM1 64-6	37.0	1086	1746	386	305	400	341.1
PVM1 64-7-2 / PVM1 64-7-1	37.0	1168	1828	386	305	400	345.1
PVM1 64-7	45.0	1172	1852	432	335	400	426.1
PVM1 64-8-2 / PVM1 64-8-1	45.0	1255	1935	432	335	450	430.1

#### PVM1 64 Motor Data

Power (kW)	4.0	5.5	7.5	11.0	15.0	18.5	22	30	37	45
In (A) 1 x 240V	—	—	—	—	—	—	—	—	—	—
In (A) 3 x 415V	7.22	9.8	13.2	19.0	25.6	31.5	36.9	49.9	61.3	74.2

Performance to AS2417 Grade 2 for clean, cold water only.

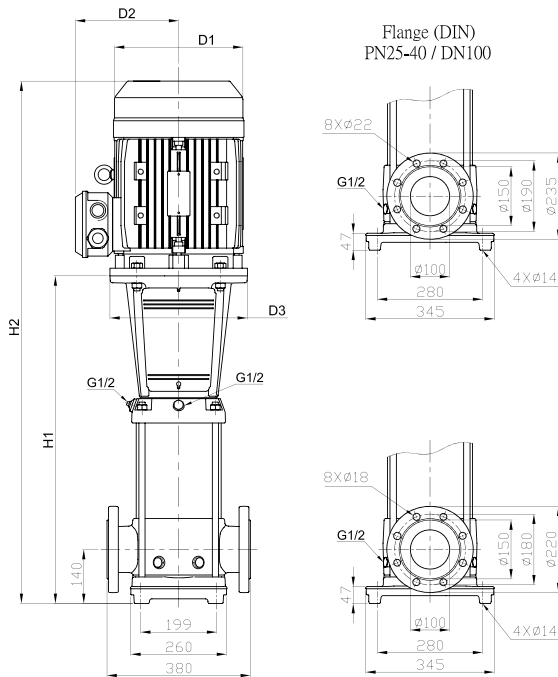
**PERFORMANCE DATA**


# MODEL PVM1 90

## PVMI Vertical Multi-Stage Pumps



### TECHNICAL DATA



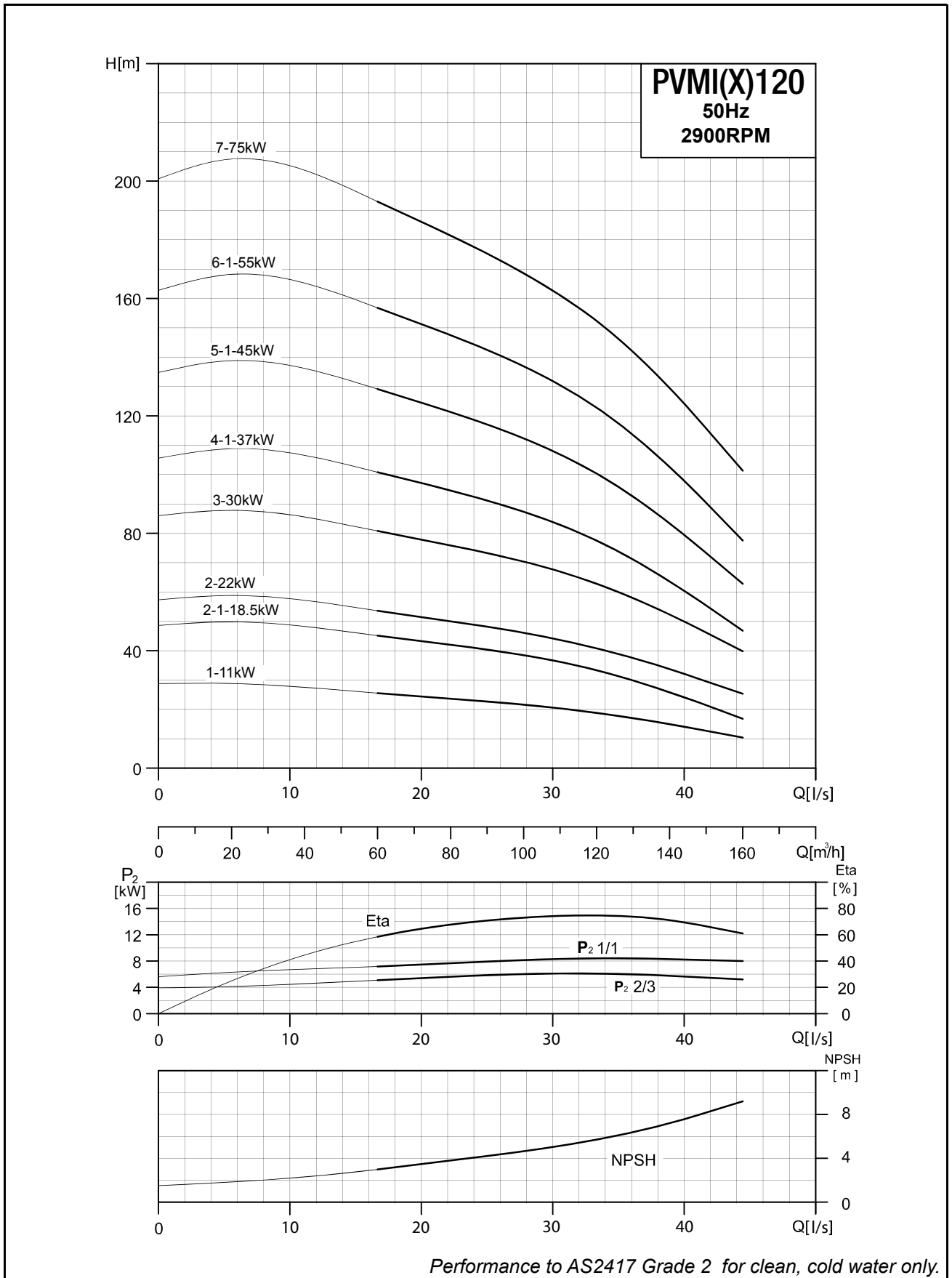
Flange (DIN - ANSI - JIS)  
PN 25-40/DN100

Construction Materials		PVMI	PVMX
Motor Bracket	Ductile Iron	ASTM A530 70-50-05	
Top Cap	Stainless Steel	AISI 304	AISI 316
Impeller	Stainless steel	AISI 304	AISI 316
Shaft	Stainless steel	AISI 431	AISI 316
Outer Sleeve	Stainless Steel	AISI 304	AISI 316
Outer Sleeve O Ring			EPDM
Diffuser	Stainless Steel	AISI 304	AISI 316
Neck Ring		PTFE	
Base	Stainless Steel	AISI 304	AISI 316
Base plate	Cast Iron	ASTM A48 25B	
Coupling	Fe-Cu-C	MPIF FC0525	
Mechanical Seal	Cartridge Type	SiC/SiC	
Pump Range PVM1/PVMX			
Nominal Flow	90m <sup>3</sup> /h		
Flow Range	35 - 110m <sup>3</sup> /h		
Maximum Head	20 bar		
Max. Inlet Pressure	4 bar (1-3 stgs) 10 bar (2-3.2) 15 bar (3-6 stgs)		
Max. Operating Pressure	16 bar (1-5 stages) 30 bar (6 stages)		
Fluid Temperature	-15 to +120°C		
Motor			
Three Phase	220-240/380-415V		
Insulation	Class F		
Enclosure	IP55		
Ambient Temp	40°C		
Connections			
Flange	DIN(ISO) PN25/40 DN100		

DIMENSIONS AND WEIGHTS (3 PHASE UNITS)							
Pump Type	Motor P2 (kW)	Dimension (mm)					Net Weight (kg)
		H1	H2	D1	D2	D3	
PVMI 90-1-1	5.5	576	936	234	199	300	60.30
PVMI 90-1	7.5	576	976	234	199	300	60.32
PVMI 90-2-2	11.0	778	1223	268	215	350	75.92
PVMI 90-2	15.0	778	1267	268	215	350	75.96
PVMI 90-3-2	18.5	870	1405	317	242	350	81.00
PVMI 90-3	22.0	870	1449	317	242	350	80.80
PVMI 90-4-2	30.0	962	1585	317	290	400	96.98
PVMI 90-4	30.0	962	1585	317	290	400	97.02
PVMI 90-5-2	37.0	1054	1779	398	365	400	103.82
PVMI 90-5	37.0	1054	1779	398	365	400	103.86
PVMI 90-6-2	45.0	1146	1871	398	365	450	111.66
PVMI 90-6	45.0	1146	1871	398	365	450	111.70

PVM1 90 Motor Data										
Power (kW)	5.5	7.5	11.0	15.0	18.5	22.0	30.0	37.0	45.0	
In (A) 1 x 240V	—	—	—	—	—	—	—	—	—	
In (A) 3 x 415V	9.8	13.2	19.0	25.6	31.5	36.9	49.9	61.3	74.2	

Performance to AS2417 Grade 2 for clean, cold water only.

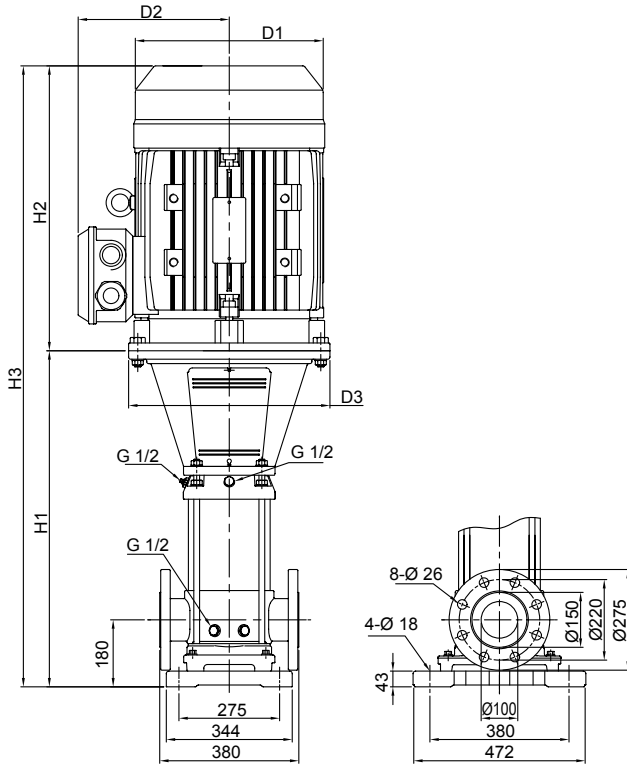
**PERFORMANCE DATA**


# MODEL PVM1 120

## PVMI Vertical Multi-Stage Pumps



### TECHNICAL DATA



Flange (DIN - ANSI - JIS)  
PN 25-40/DN125

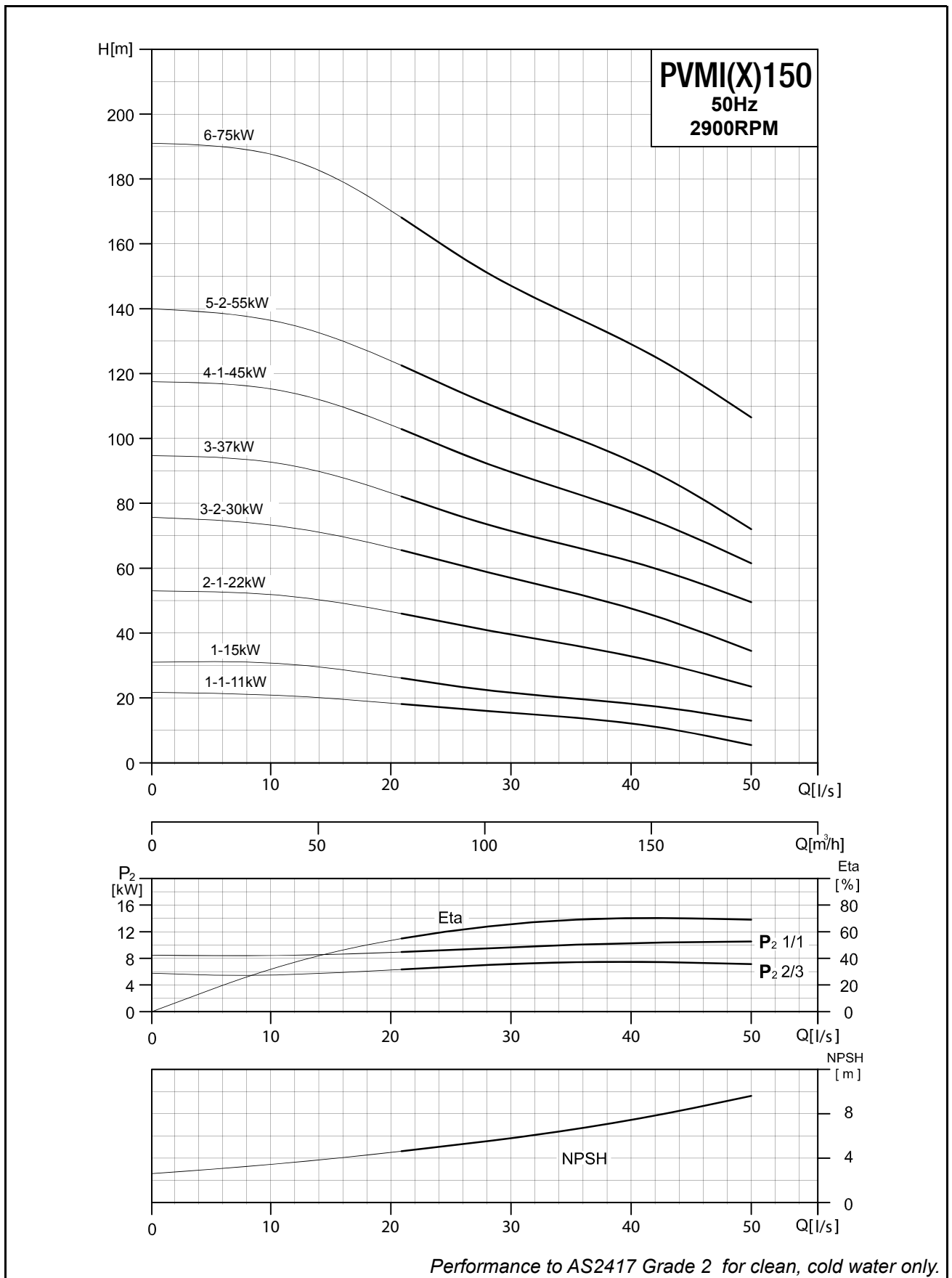
Construction Materials		PVMI	PVMX
Motor Bracket	Ductile Iron	ASTM A530 70-50-05	
Top Cap	Stainless Steel	AISI 304	AISI 316
Impeller	Stainless steel	AISI 304	AISI 316
Shaft	Stainless steel	AISI 431	AISI 316
Outer Sleeve	Stainless Steel	AISI 304	AISI 316
Outer Sleeve O Ring			EPDM
Diffuser	Stainless Steel	AISI 304	AISI 316
Neck Ring			PTFE
Base	Stainless Steel	AISI 304	AISI 316
Base plate	Cast Iron	ASTM A48 25B	
Coupling	Fe-Cu-C	MPIF FC0525	
Mechanical Seal	Cartridge Type	SIC/SiC	
Pump Range PVMI/PVMX			
Nominal Flow	120m <sup>3</sup> /h		
Flow Range	60 - 160m <sup>3</sup> /h		
Maximum Head	20 bar		
Max. Inlet Pressure	10 bar (1 stg) 15 bar (2-5 stgs) 20 bar (6-7 stgs)		
Max. Operating Pressure	30 bar		
Fluid Temperature	-15 to +120°C		
Motor			
Three Phase	220-240/380-415V		
Insulation	Class F		
Enclosure	IP55		
Ambient Temp	40°C		
Connections			
Flange	DIN(ISO) PN25/40 DN125		

DIMENSIONS AND WEIGHTS								
Pump Type	Motor (P2 (kW))	Dimension (mm)						Net Weight (kg)
		H1	H2	H3	D1	D2	D3	
PVMI120-1-1	11	834	505	1339	318	245	350	200
PVMI120-2-1	18.5	990	550	1540	318	245	350	245
PVMI120-2	22	990	580	1570	358	265	350	292
PVMI120-3	30	1145	660	1805	420	295	400	363
PVMI120-4-1	37	1301	660	1961	420	295	400	386
PVMI120-5-1	45	1460	690	2150	470	325	450	454
PVMI120-6-1	55	1642	770	2412	510	355	550	579
PVMI120-7	75	1797	845	2642	580	410	550	751

PVMI 120 Motor Data								
Power (kW)	11	18.5	22	30	37	45	55	75
In (A) 3 x 415V	19.9	33.3	38.3	51.9	63.3	75.1	91.5	123

Performance to AS2417 Grade 2 for clean, cold water only.



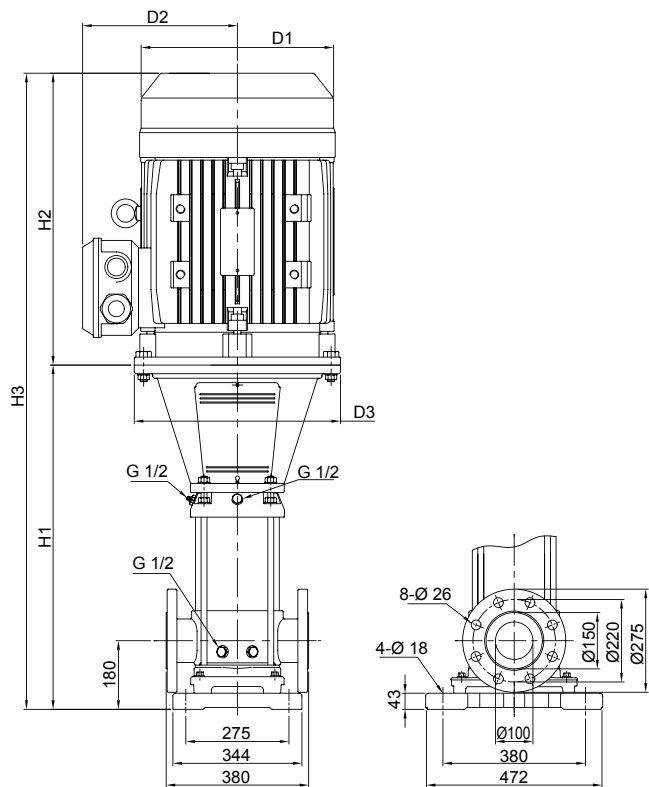
**PERFORMANCE DATA**


# MODEL PVMI 150

## PVMI Vertical Multi-Stage Pumps



### TECHNICAL DATA



Flange (DIN - ANSI - JIS)  
PN 25-40/DN125

Construction Materials		PVMI	PVMX
Motor Bracket	Ductile Iron	ASTM A530	70-50-05
Top Cap	Stainless Steel	AISI 304	AISI 316
Impeller	Stainless steel	AISI 304	AISI 316
Shaft	Stainless steel	AISI 431	AISI 316
Outer Sleeve	Stainless Steel	AISI 304	AISI 316
Outer Sleeve O Ring			EPDM
Diffuser	Stainless Steel	AISI 304	AISI 316
Neck Ring			PTFE
Base	Stainless Steel	AISI 304	AISI 316
Base plate	Cast Iron	ASTM A48 25B	
Coupling	Fe-Cu-C	MPIF FC0525	
Mechanical Seal	Cartridge Type	SiC/SiC	
Pump Range PVMI/PVMX			
Nominal Flow	150m <sup>3</sup> /h		
Flow Range	75 - 180m <sup>3</sup> /h		
Maximum Head	19 bar		
Max. Inlet Pressure	10 bar (1 stg) 15 bar (2-4 stgs) 20 bar (5-6 stgs)		
Max. Operating Pressure	30 bar		
Fluid Temperature	-15 to +120°C		
Motor			
Three Phase	220-240/380-415V		
Insulation	Class F		
Enclosure	IP55		
Ambient Temp	40°C		
Connections			
Flange	DIN(ISO) PN25/40 DN125		

DIMENSIONS AND WEIGHTS								
Pump Type	Motor (P2 (kW))	Dimension (mm)						Net Weight (kg)
		H1	H2	H3	D1	D2	D3	
PVMI150-1-1	11	834	505	1339	318	245	350	200
PVMI150-1	15	834	510	1344	318	245	350	210
PVMI150-2-1	22	990	580	1570	358	265	350	288
PVMI150-3-2	30	1145	660	1805	420	295	400	362
PVMI150-3	37	1145	660	1805	420	295	400	375
PVMI150-4-1	45	1305	690	1995	470	325	450	443
PVMI150-5-2	55	1486	770	2256	510	355	550	569
PVMI150-6	75	1642	845	2487	580	410	550	741

PVMI 150 Motor Data								
Power (kW)	11	15	22	30	37	45	55	75
In (A) 3 x 415V	19.9	26.5	38.3	51.9	63.3	75.1	91.5	123

Performance to AS2417 Grade 2 for clean, cold water only.