

# MASTERTEMP® 125

## HIGH PERFORMANCE SPA HEATER



### FEATURED HIGHLIGHTS:

- High-performance, affordable heater with premium features.
- Energy efficiency among the highest in its class.
- 40mm (1-1/2") plumbing connections - ideal for small bodies of water including above ground pools and spas.
- Pre-mixed combustion technology for fast heat up and low NOx emissions.
- Easy to use digital display/control.
- Lightweight, easy to handle and ship.

The MasterTemp 125 Heater provides energy-savings and advanced operating features that were only available from much larger heaters. With its revolutionary pre-mixed gas combustion technology, the MasterTemp 125 Heater offers high thermal efficiency, among the

best in its class. The advanced digital display/controller provides more information and better control. The MasterTemp 125 heater is also compact and lightweight, making it easy to handle and ship.

### ORDERING INFORMATION

Product	Description	Gas Type	BTU (000's)	Carton Dim.	Carton Weight (Kgs.)	Pallet Qty.
MASTERTEMP HEATERS						
461092	MasterTemp 125	Natural	125	930x570x625	45	4
461093	MasterTemp 125	Propane	125	930x570x625	45	4
ACCESSORIES						
SF43-11-06	6" Flue Adaptor				-	-
SF43-11-08	8" Flue Adaptor				-	-
474845	Direct Air Intake Kit				-	-
801953	Flow Switch 40mm				-	-
802011	External Inlet High Limit Switch Kit				-	-
801964	Sacrificial Anode (2" Saddle Clamp)				-	-

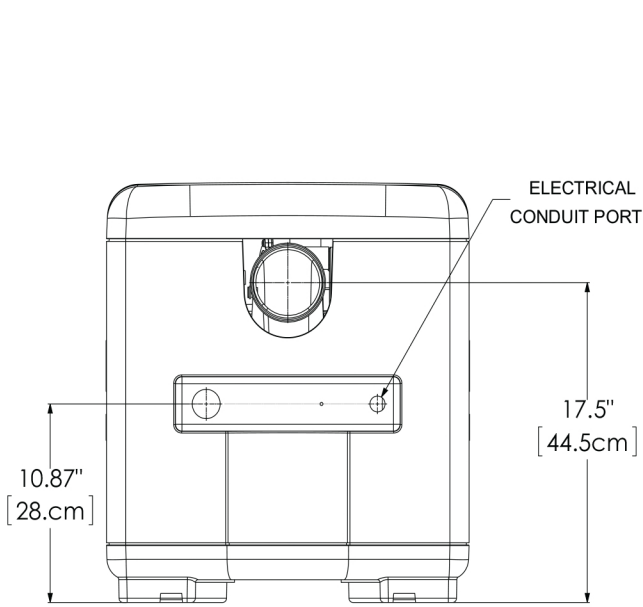
**Note:** The MasterTemp® Heater is certified for low NOx emissions.

\* Heavy Duty (HD) Cupro-Nickel Heat Exchanger 82% Efficient.

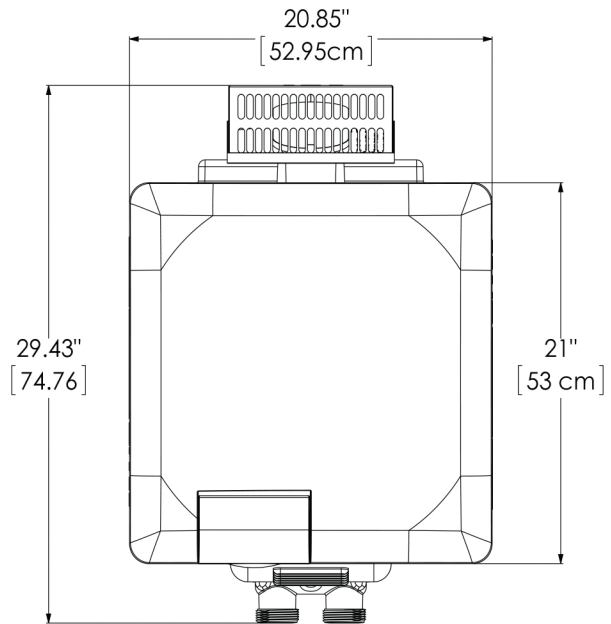
# MASTERTEMP® 125

HIGH PERFORMANCE SPA HEATER

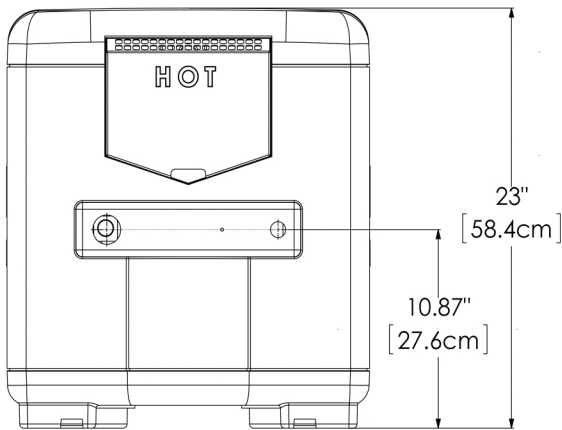
## DIMENSIONS AND PERFORMANCE\*



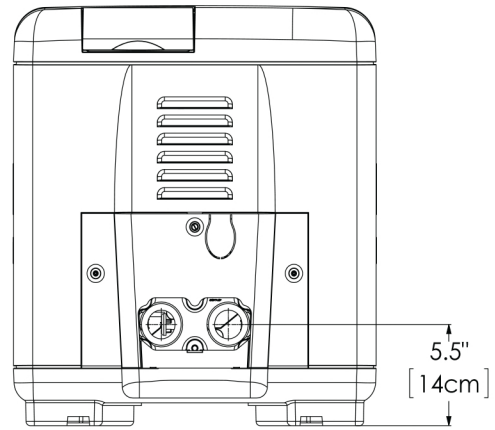
**EXHAUST SIDE  
(COWEL OFF)**



**TOP VIEW**



**EXHAUST SIDE  
(COWEL ON)**



**PLUMBING SIDE**

\*All dimensions in mm.