

# LEISURETIME® II SAND FILTER

## FIBREGLASS TANK SAND FILTER TOP MOUNT MPV



### FEATURED HIGHLIGHTS:

- Spun-woven, UV resistant fibreglass construction for exceptional strength, chemical resistance and long life.
- Six-function multi-port valve for easy control of all filter functions • Filter • Waste • Backwash • Closed • Rinse • Re-circulate
- Stainless Steel clamp for corrosion resistance and allows 360 degree rotation of multi-port valve to simplify installation.
- Includes MPV and barrel unions.
- New 40mm MPV with screw down lid
- 10 year pro-rata warranty.\*

The Leisuretime II Fibreglass Sand Filter is the perfect high performance sand filter. It's incredibly simple to operate and maintain, and it's built with long-term reliability in mind. Plus, its highly efficient design provides all the clean, crystal clear water your pool requires year after year.

### ORDERING INFORMATION

Model	Product	Effective Filter Area (ft <sup>2</sup> / m <sup>2</sup> )	Min Flow Rate <sup>1</sup> (LPM)	Max Flow Rate (LPM)	Turnover Capacity (In Litres)			Carton Dim. (mm)	Carton Wt. (kg)	Pallet Qty.
					8 Hour	10 Hour	12 Hour			
<b>LEISURETIME II FILTERS</b>										
LSFII-21-40	Leisuretime II 21" Sand Filter 40mm MPV	2.1 / 0.2	120	190	91,200	114,000	136,800	540x540x890	16	8
LSFII-25-40	Leisuretime II 25" Sand Filter 40mm MPV	3.2 / 0.3	180	260	124,800	156,000	187,200	620x620x980	21.5	8
LSFII-25-50	Leisuretime II 25" Sand Filter 50mm MPV	3.2 / 0.3	180	280	134,400	168,000	201,600	620x620x1020	23	8
LSFII-28-50	Leisuretime II 28" Sand Filter 50mm MPV	4.1 / 0.38	230	350	168,000	210,000	252,000	730x730x830 + 290x290x400	27	2
LSFII-32-50	Leisuretime II 32" Sand Filter 50mm MPV	5.4 / 0.5	270	415	199,200	249,000	298,800	800x800x900 + 290x290x400	31	2

<sup>1</sup> Minimum flow rate required to effectively backwash filter.

Product	Description	Carton Dim.	Carton Wt. (kg)	Pallet Qty.
<b>ACCESSORIES FOR LEISURETIME II SAND FILTERS</b>				
88280150	1.5" MPV for Leisuretime II Sand Filters	290x290x400	3.5	48
88281506F	2.0" MPV for Leisuretime II Sand Filters	290x290x400	3.5	48

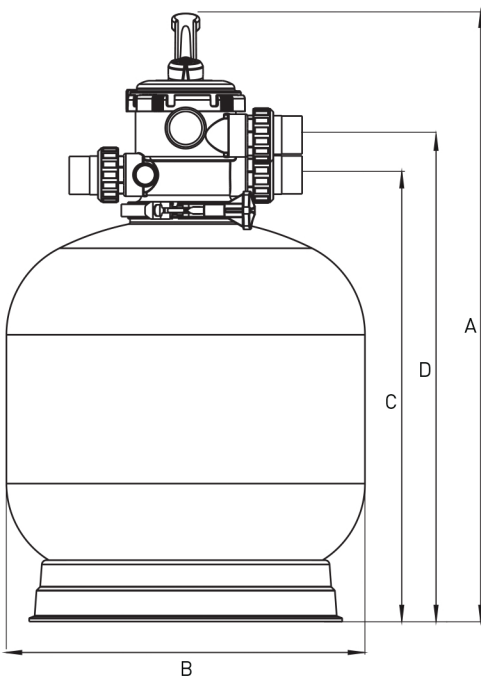
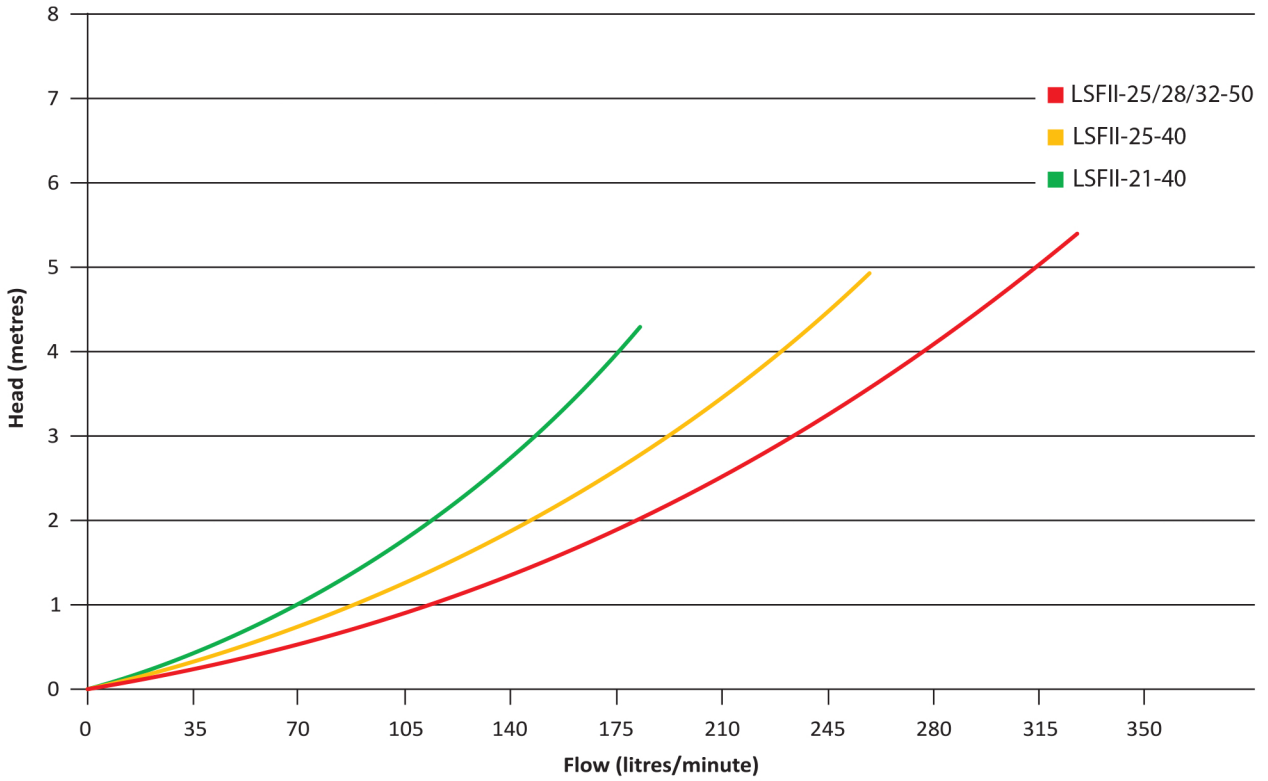
**Note:** Operating Limits - maximum continual Operating pressure of 250kPa. Maximum operating water temperature (internal filter) 43°C

\*Terms and conditions apply

# LEISURETIME® II SAND FILTER

FIBREGLASS TANK SAND FILTER TOP MOUNT MPV

## DIMENSIONS AND PERFORMANCE\*



DIMENSION				
Model	A	B	C	D
LSFII-21-40	875mm	535mm	670mm	730mm
LSFII-25-40	980mm	635mm	775mm	835mm
LSFII-25-50	985mm	635mm	780mm	840mm
LSFII-28-50	1050mm	723mm	877mm	960mm
LSFII-32-50	1200mm	800mm	1002mm	1085mm

FILTER MEDIA (kg)				
Model	Sand	Zeolite	Glass	
			Fine	Coarse
LSFII-21-40	90	70	60	30
LSFII-25-40	140	105	90	45
LSFII-25-50	140	105	90	45
LSFII-28-50	185	140	120	60
LSFII-32-50	220	165	135	75

\*All dimensions in mm.