

JS SERIES

STAINLESS STEEL SELF-PRIMING JET PUMPS



FEATURES

- Stainless Steel casing
- Precision-moulded internals
- Robust stainless steel base
- Self-priming with up to 7.6m suction lift
- JSP models offer loss of prime protection
- Pumps made in Italy with highest quality



APPLICATIONS

- Ideal for installations with below ground water source
- Domestic water supply systems with continuous or intermittent duty
- Small farms and gardening irrigation
- Small scale industrial service
- Pressure boosting
- General water transfer

PUMP INFORMATION

The new JS range of household pressure pumps feature a strong stainless steel pump casing with precision moulded jet, venturi and impeller for efficiency and great performance under high suction lift applications.

The new Italian made JS series is now mounted on a stable, high quality stainless steel base for protection from corrosion. With 3 models in the range, the JS is also available with a Presscontrol or Pressure Switch and Tank making a perfect household water pressure system.

The JS series offer the following advantages:

- Peace of mind reliability – thanks to the robust design
- Stainless steel casing with excellent corrosion resistance and toughness
- Precision-moulded internals for high performance and reliability
- Self-priming with excellent suction capacity to a maximum depth of 7.6m
- Robust stainless steel base to lift pump above corrosive water on the ground
- Italian made with quality construction
- Loss of prime protection for JSP models, protects pump from failure

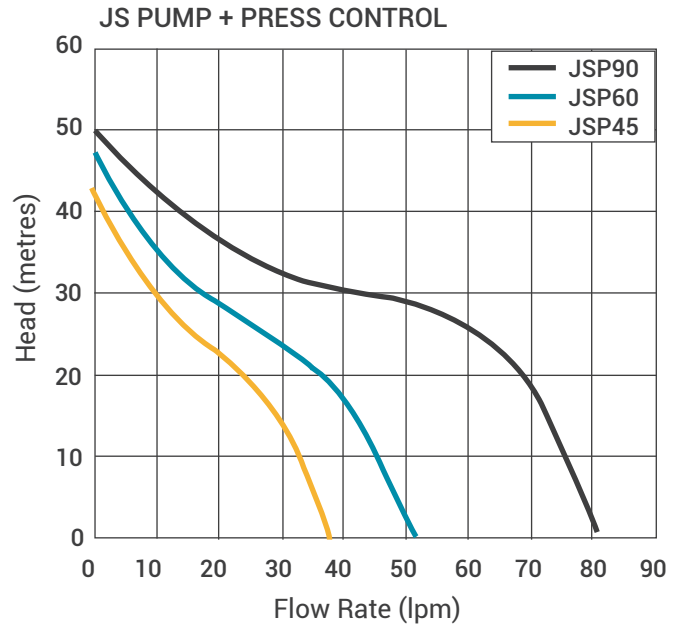
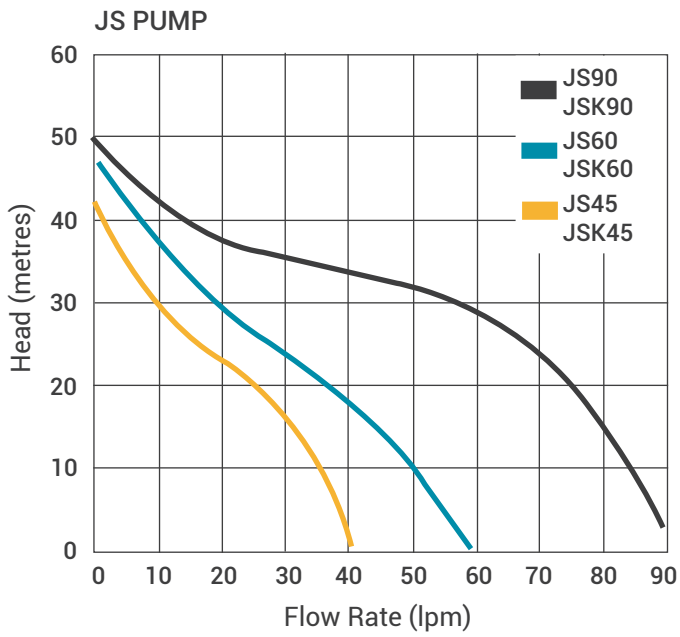
MOTOR

- Enclosed fan-cooled motor
- Protection rating IP 44
- Insulation class F
- Single phase power supply with permanently activated capacitor
- Thermal protection incorporated in motor winding
- Continuous duty

USAGE DATA

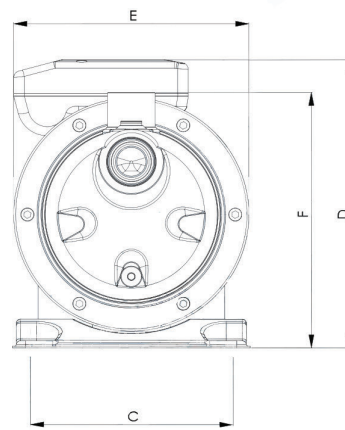
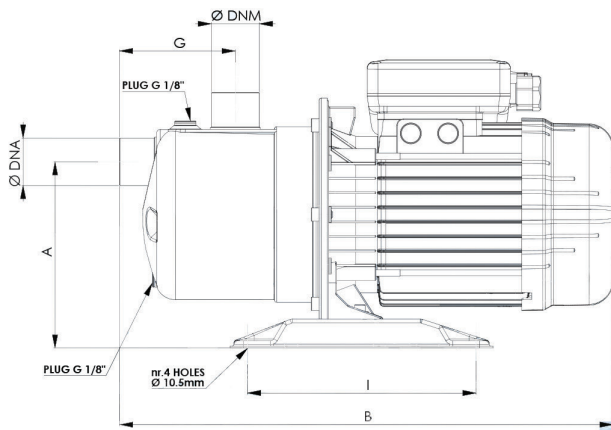
- **Type of liquid:** clean water without suspended bodies or abrasive material that is non-viscous and chemically neutral
- **Maximum liquid temperature:** 50°C
- **Maximum ambient temperature:** 40°C
- **Maximum suction depth:** 7.6m with foot valve
- **Maximum operating pressure:** 6 Bar

JS SERIES - Technical Data



PERFORMANCE TABLE

Part #	Model	Nominal Power (P2)		Absorbed Power (P1)		Voltage (V)	In (A)	µF	Q	Head (m)									
		HP	kW	HP	kW					l/min	0	10	20	30	40	50	60	70	80
										m³/h	0	0,6	1,2	1,8	2,4	3	3,6		4,8
JS45	JS 45	0,5	0,37	0,8	0,6	1 ~ 230	3	8	Head (m)	43	30	23	16	1	-	-	-	-	-
JS60	JS 60	0,75	0,55	1,1	0,8	1 ~ 230	4	12,5		46	36	31	26	18	6	-	-	-	-
JS90	JS 90	1,0	0,75	1,8	1,3	1 ~ 230	6,5	20		43	38	34	32	29	27	25	21	10	



OVERALL DIMENSIONS & WEIGHTS

Part #	Model	Dimensions mm.										Outlet Height w/ PressControl mm	Weight (Kg)
		A	B	C	D	E	F	G	G	DNA	DNM		
JS45	JS 45	141	351	141	210	176.5	194	87	161.5	1"F	1"F	422	7
JS60	JS 60	141	370	141	218	176.5	194	87	161.5	1"F	1"F	422	9
JS90	JS 90	168.5	424	196	241	233	225	98	186.5	1" 1/4 F	1"F	453	13

JS SERIES- Technical Data

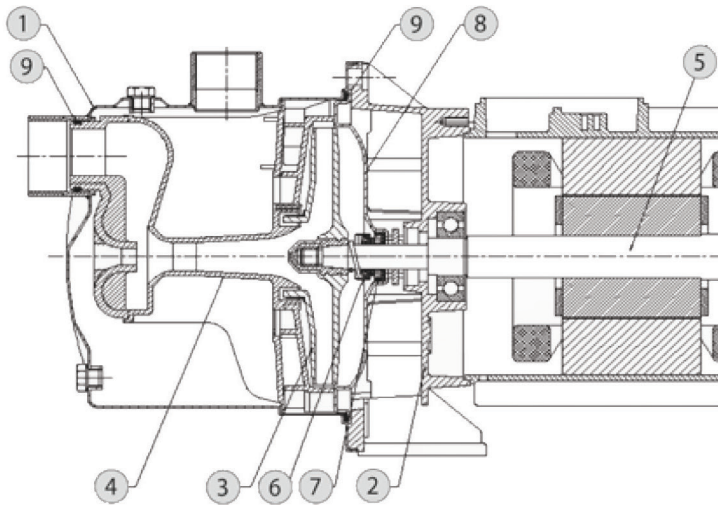


TABLE OF MATERIALS		
REF	COMPONENT	MATERIAL
1	Pump Body	Stainless steel X5 CrNi (AISI 304)
2	Motor Casing	Die-cast aluminium
3	Impeller	Technopolymer with stainless steel shim ring
4	Diffuser Mono Block Group Venturi Tube-Nozzle	Technopolymer
5	Shaft	Stainless steel X 12 CrNiS 1809 (AISI 416)
6	Mechanical Seal	Graphite
7	Counterface	Ceramic
8	Seal Holder Plate	Technopolymer (series 45-60-70) Stainless steel X5 CrNi 1810 (AISI 304) series 90
9	Gaskets	NBR 70 Shore