

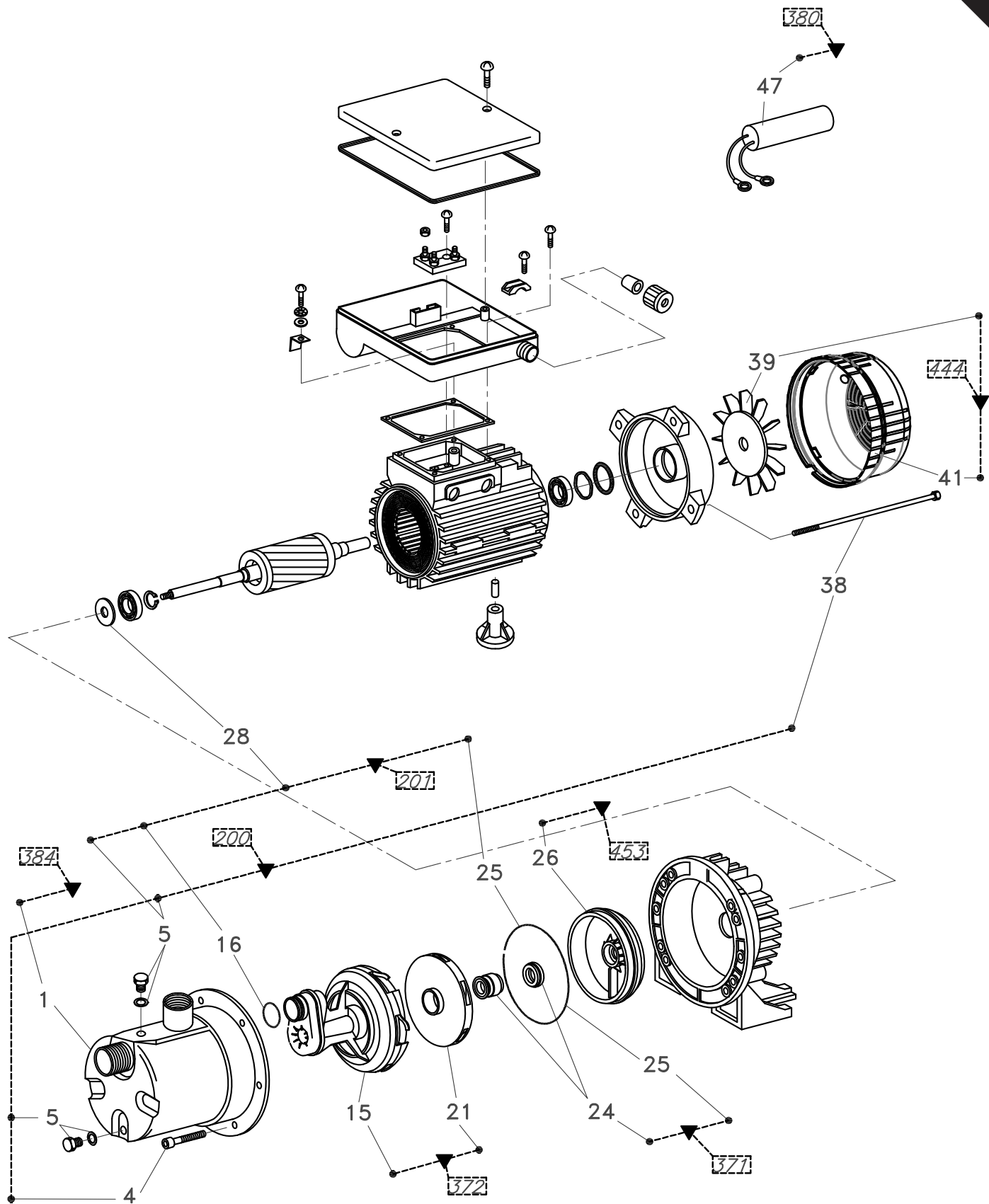
# JS SERIES

## SPARE PARTS

KITS & EXPLODED DRAWINGS



# JS45, JS60 & JS90



Drawings are indicative only, product appearance may change slightly.

Kit Ref. No.	Kit Des.	Component Ref. No.	Component Description	Model					
				JS45		JS60		JS90	
200	BOLTS AND SCREWS KIT	38	TIE ROD KIT ( MOTOR ~ )		4 PC		4 PC		4 PC
		4	SCREW	ZBR28510	6 PC	ZBR28520	6 PC	ZBR28550	6 PC
		5	PLUG ( FILL ~ )		2 PC		2 PC		2 PC
201	GASKET KIT	25	O-RING ( PUMP BODY ~ )				1 PC		1 PC
		16	O-RING ( NOZZLE ~ )			ZBR28560	1 PC	ZBR28560	1 PC
		28	SHIELD				1 PC		1 PC
		5	PLUG ( FILL ~ )				2 PC		2 PC
371	MECHANICAL SEAL KIT	25	O-RING ( PUMP BODY ~ )			ZBR28590	1 PC	ZBR28580	1 PC
		24	SEAL ( COMPLETE MECHANICAL ~ )				1 PC		1 PC
372	HYDRAULIC KIT	21	IMPELLER		1 PC		1 PC		1 PC
		15	DIFFUSER-VENTURI-NOZZLE KIT	ZBR28600	1 PC	ZBR28610	1 PC	ZBR28630	1 PC
380	CAPACITOR KIT	47	CAPACITOR	ZBR28680	1 PC	ZBR24390	1 PC	ZBR20820	1 PC
384	PUMP BODY KIT	1	PUMP BODY		ZBR28690		1 PC	ZBR28760	1 PC
444	FAN KIT	39	FAN ( COOLING ~ )	ZBR44800	1 PC	ZBR44810	1 PC	ZBR44820	1 PC
		41	COVER ( FAN ~ )		1 PC		1 PC		1 PC
453	SUPPORT FLANGE KIT	26	FLANGE ( MECHANICAL SEAL HOLDER ~ )		ZBR28800		1 PC	ZBR28810	1 PC



1-21 Monash Drive | Dandenong South, VIC 3175 | Australia | 1300 137 344 | pentair.com.au

Information contained here-in remains the property of Pentair Australia Holdings Pty Ltd under Australian copyright law. Content may not be reproduced or transmitted without our prior written permission. All indicated Pentair trademarks and logos are property of Pentair. Third party registered and unregistered trademarks/logos are the properties of their respective owners.

Disclaimer: Pentair reserves the right to change product specifications and products details. Product images are for reference purposes only and may not represent the actual/current product.

©2020 Pentair. All rights reserved.