

HEBEFIX

ABOVE FLOOR TANK



FEATURES

- Disposal of dirty water from hand basin, shower, bathtub and washing machine
- Easy opening of the cover without dismantling a siphon or an inlet pipe
- Wall or floor installation
- Pressure pipe on the right or left side
- Alarm system possible

DESCRIPTION

The Hebefix above-floor tank is the ideal solution if a washbasin or sink is to be installed and there is no waste water pipe nearby. It is quick to install and offers ideal solutions in combination with the U3KS, U3KS special or U5KS drainage pumps.

The drainage pump intended for the Hebefix is connected to the prepared pipe connection and automatically pumps the incoming grey water to the next disposal pipe. The tank has four inlet sleeves. This means that a drain can be created at any desired location, even below the backwater level, without costly bricklaying work. By means of the lower additional inlets on both sides (H=100 mm) and a special float for lower switching heights (U3 only), a backflow-proof shower can be connected.

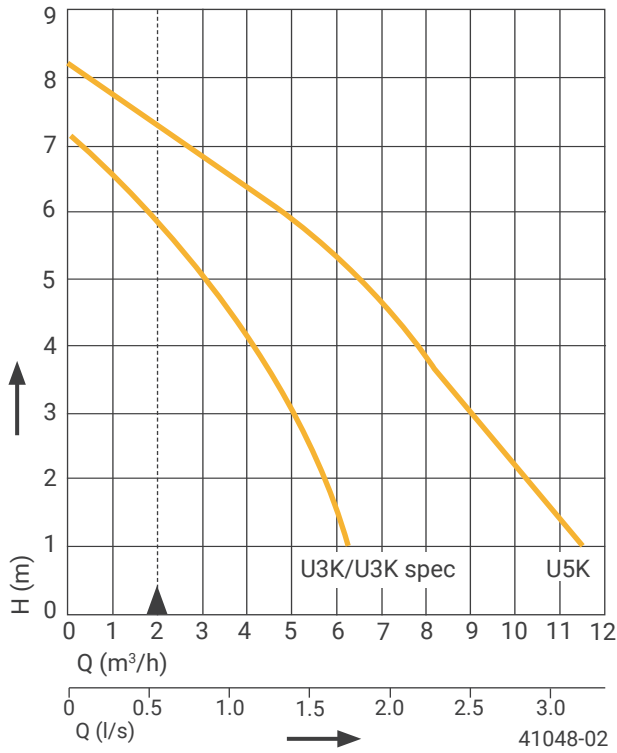
The supplied activated carbon filter reduces odours. The installation of an alarm unit is recommended. The automatic alarm AGR or AWR (alarm device with washing machine cutoff) signalizes an unacceptably high water level and the AWR switches off the connected machine. If the special float is installed at the same time, the special fastener for alarm is required.

SCOPE OF SUPPLY

Plastic tank (ABS) without pump with integrated connection hose, clamps, swing-type check valve R32, activated carbon filter, rubber feet and wall attachment parts. The unit is in conformity with the specification of EN 12050.

HEBEFIX - Technical Data

PERFORMANCE



MECHANICAL DATA

| | | | |
|---------------|------|--------|--------|
| Tank Capacity | 26 L | Weight | 3.2 kg |
|---------------|------|--------|--------|

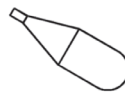
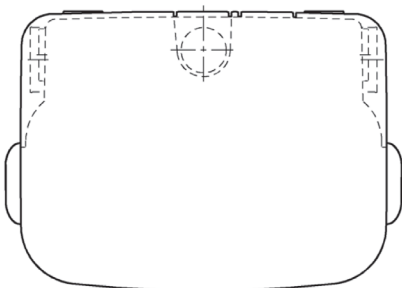
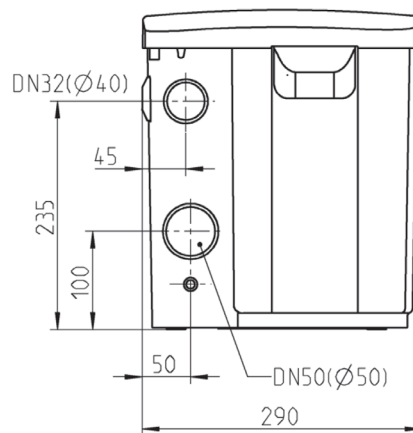
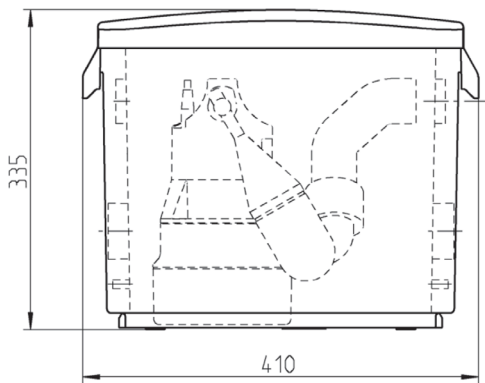
HEBEFIX

| Type | Code No. |
|---------|----------|
| Hebefix | JP50210 |

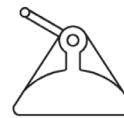
POSSIBLE PUMPS

| | |
|---------------------|------|
| Hebefix | U5KS |
| U3KS / U3KS Special | |

DIMENSIONS



| | | |
|----|-----|-----|
| | ON | OFF |
| U3 | 220 | 110 |
| U5 | 245 | 140 |

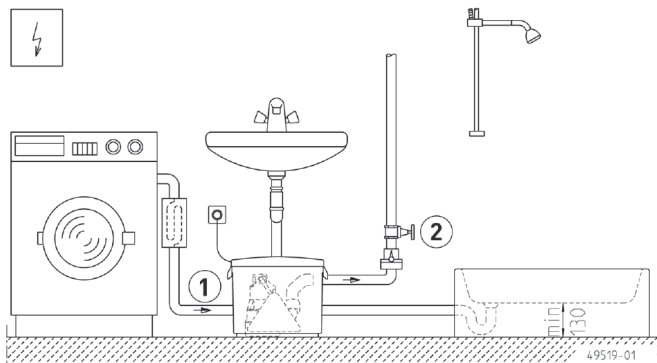


| | | |
|----|-----|-----|
| | ON | OFF |
| U3 | 110 | 50 |

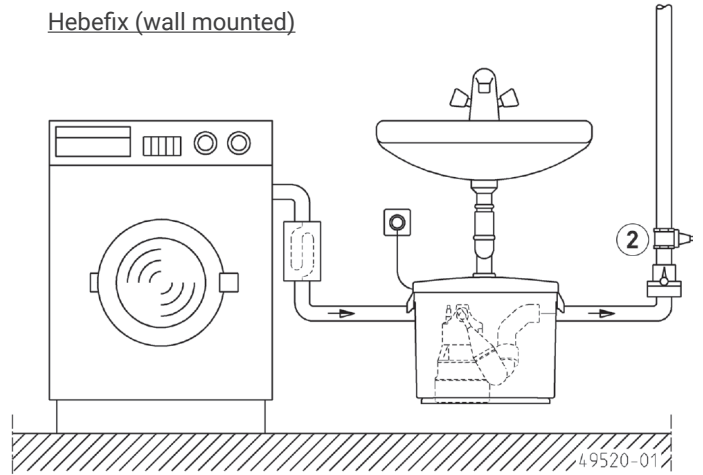
49518-01

HEBEFIX - Technical Data

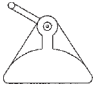
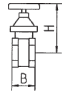
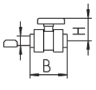
Example of installation Hebefix (floor mounted)



Hebefix (wall mounted)



MECHANICAL ACCESSORY

| | | | | Code No. |
|---|-----------------|-----------------------------------|---------------|----------|
|  | ① Special Float | for lower switching points | | JP44795 |
|  | ② Stop valve | 1 1/4" (DN 32), PN 16 | 110x60 (HxB) | JP44785 |
|  | Ball valve | 1 1/4", PVC, for aggressive media | 105x155 (HxB) | JP46111 |