

FRESHPOINT F2000

TWO STAGE FILTRATION SYSTEMS



APPLICATIONS

- Drinking water

FEATURES · BENEFITS

- Effortless click-in cartridge change-outs
- Color-coded cartridges maintain proper filter sequence
- 3/8" push fittings for easy installation
- Optional filter life monitor provides visual filter replacement notification (Model F2000-B2M only)

MODELS

- F2000-B2B

INSULATION TIPS

- Choose a mounting location suitable to support the full weight of the system when operating.
- Install vertically with the cartridge hanging down.
- System may be installed with cartridge flush to the baseboard if desired as the mechanical assist lever pushes cartridges straight out.
- Magnetic timer may be removed from system and placed in alternative locations such as on refrigerator.

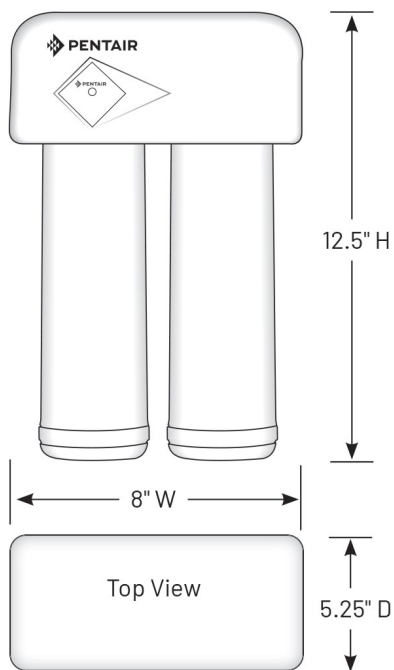
OPERATION TIPS

- Replace cartridge every 650 gallons or 1 year (or if flow has diminished).
- Place replacement cartridges in proper sequence utilizing color coded shapes.
- System designed with integrated check valves so cold water line does not need to be shut-off to perform cartridge change-outs.

INCLUDES

- Side faucet
- Installation kit
- Installation and operational manual

FRESHPOINT F2000 TWO STAGE - Technical Data



SPECIFICATIONS

- **Systems** (Model/Part No.)
F2000-B2B/158839
 - **Inlet Size**
3/8" QC
 - **Dimensions**
12.5" H X 8" W X 5.25" D
(317 mm X 203 mm X 133mm)
 - **System Weight**
4.50 lbs
 - **Contaminant Reduction**
Chlorine Taste & Odor, Lead, Atrazine, Lindane, Nominal Particulate, Class I, VOC's, Cyst: NSF/ANSI Standard 53 certified to reduce cysts such as Cryptosporidium and Giardia by mechanical means.
 - **Micron Rating**
0.50
 - **Approximate Filter Life***
Up to 1 Year
 - **Capacity**
650 Gallons (2460.51 Liters)
 - **System Production Rate**
0.60 gpm (2.27Lpm)
(Side Faucet Required)
 - **Certifications**
NSF/ANSI Standards 53
CSA Standard B483.1
 - **Feed Pressure Range**
40 - 100 psi(2.75 - 6.89 bar)
 - **Temperature Range**
40 - 100°F (4.4 - 37.8°C)
 - **Replacement Cartridge**
(Model/Part No.)
F2B2-RC2/655126*96 (Twin Pack)
- *Filter life dependent on gallon usage and overall incoming water quality.

EPA EST. NO. 082989-CHN-001



The Model F1000-B1B is Tested and Certified by NSF International against NSF/ANSI Standards 42 and CSA B483.1 for the reduction of substances specified on the service manual or at www.nsf.org.