

ap AURORA®
Pentair Water

INSTRUCTION MANUAL REPAIR

6

MODELS 411 & 481, 412, 413 & 483

NOTE

This repair manual is applicable to pump Models 411 & 481, 412, 413 & 483. All photos illustrate Model 412.

SERVICE

Your Aurora pump requires no maintenance other than periodic inspection, lubrication and occasional cleaning. The intent of inspection is to prevent breakdown, thus obtaining optimum service life.

LUBRICATION OF BEARINGS

Regreasable bearings will require periodic lubrication and can be accomplished by using the zerk or lubrication fittings in the bearing cartridge. Lubricate the bearings at regular intervals using a grease of high quality. Lithium, lithium soda or calcium base grease is recommended as lubricants for pumps operating in both wet and dry locations. Mixing of different brands of grease should be avoided due to possible chemical reactions between the brands which could damage the bearings. Accordingly, avoid grease of vegetable or animal base which can develop acids, as well as grease containing rosin, graphite, talc and other impurities. Under no circumstances should grease be reused.

Over lubrication should be avoided as it may result in overheating and possible bearing failure. Under normal application, adequate lubrication is assured if the amount of grease is maintained at 1/3 to 1/2 the capacity of the bearing and adjacent space surrounding it.

In dry locations, each bearing will need lubrication at least every 4,000 hours of running time or every 6 to 12 months, whichever is more frequent. In wet locations the bearings should be lubricated at least after every 2,000 hours of running time or every 4 to 6 months, whichever is more frequent. A unit is considered to be installed in a wet location if the pump and motor are exposed to dripping water, to the weather, or to heavy condensation such as is found in unheated and poorly ventilated underground locations.

At times it may be necessary to clean the bearings due to accumulated dirt or deteriorated lubricants. This can be accomplished by flushing the bearing with a light oil heated to 180 to 200°F. While rotating it on a spindle, wipe the bearing housing with a clean rag soaked in a cleaning solvent and flush all surfaces.

Dry bearing thoroughly before relubricating. Compressed air can be used to speed drying, but care should be taken not to let bearings rotate while being dried.

CAUTION

Use normal fire caution procedures when using any petroleum cleaner.

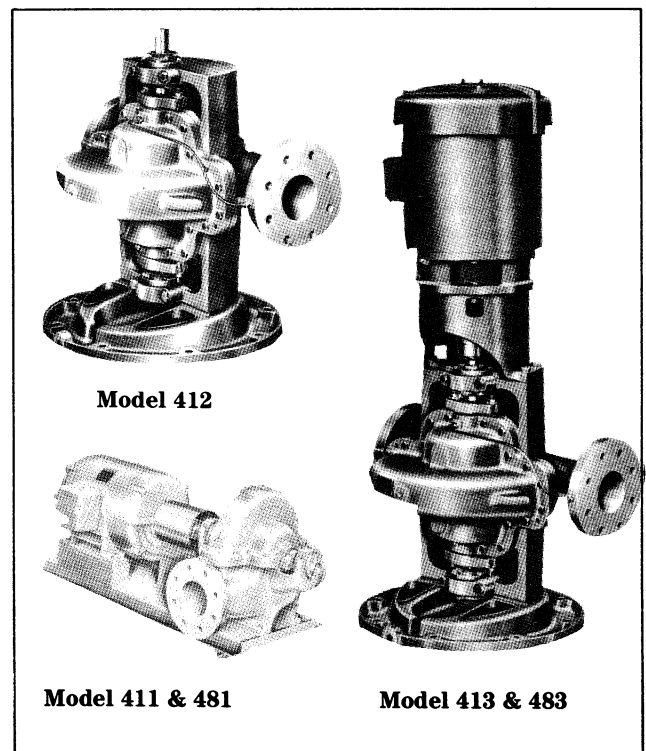
Model 411 pumps are available with two options for lubricating the shaft bearings. They are:

1. Regreasable (standard)
2. Oil Lubrication

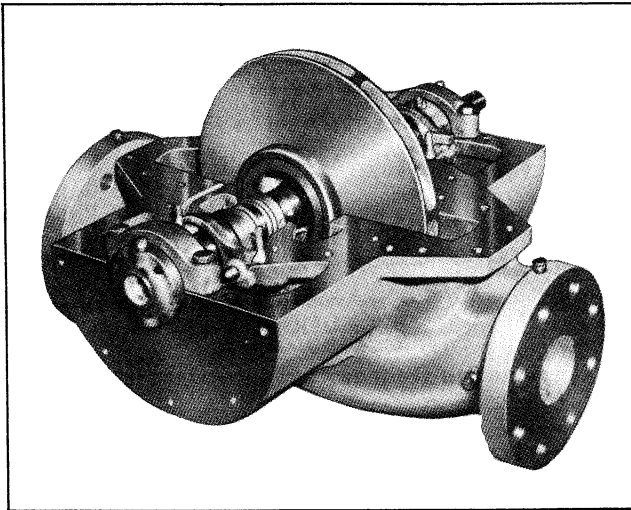
Oil lubricated bearings are optional on Model 411 pumps. A fixed oil level is maintained within the bearing cartridge by an oiler which allows visual indications of reserve oil.

At initial installation and before starting a unit that has been shut down for repairs or for any extended length of time, run enough 10W-30 weight motor oil through the oiler to maintain a constant oil level to insure that the bearing will never be without an oil supply. Oil will have to be added at intervals to maintain a constant level in the oiler. This interval can only be determined by experience.

Under working conditions, oil will breakdown and need to be replaced at regular intervals. The length of these intervals will depend on many factors. Under normal operation, in clean and dry locations, the oil should be changed about



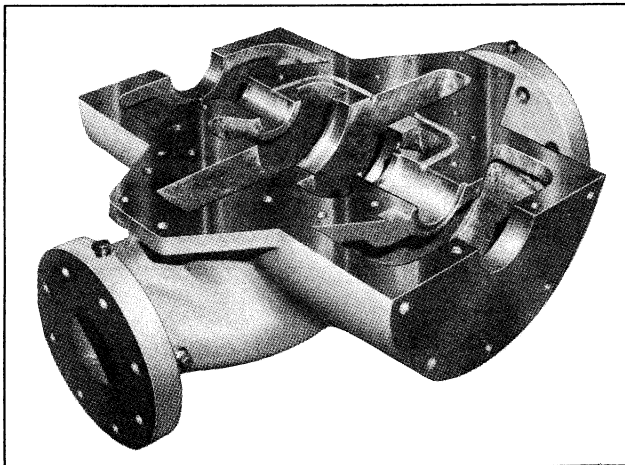
A. Complete pump assemblies.



B. Casing half removed.

once a year. However, when the pump is exposed to dirt contamination, high temperatures (200°F. or above) or a wet location, the oil may have to be changed every 2 or 3 months.

The motor which drives your Aurora pump may or may not require lubrication. Consult the manufacturer's recommendations for proper maintenance instructions.



C. Rotating element removed from casing half.

REPAIRS

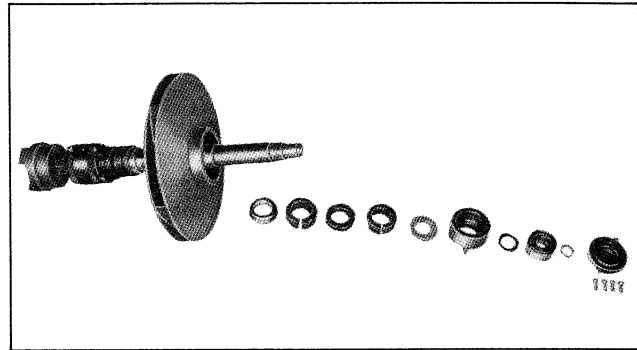
The pump may be disassembled using the illustrations and text provided. Although complete disassembly is covered, it will seldom be necessary to completely disassemble your Aurora pump.

The illustrations accompanying the disassembly instructions show the pump at various stages of disassembly. The illustrations are intended to aid in the correct identification of the parts mentioned in the text.

Inspect removed parts at disassembly to determine their reusability. Cracked castings should never be reused. All packing and gaskets should be replaced with new ones at reassembly simply as a matter of economy; they are much less expensive to replace routinely than to replace as the need occurs. In general it is economical to return to the manufacturer for repair only the motor and motor controller.

DISASSEMBLY OF THE PUMP. Disassemble only what is needed to make repairs or accomplish inspection. Proceed to disassemble the pump as follows: (See Figure 4 for Model 411 & 481, Figure 5 for Model 412 and Figure 6 for Model 413 & 483.)

1. Break electrical connections to motor or take other steps needed to prevent drive unit from being unintentionally energized during disassembly.
2. Close such valves or flow-control devices necessary to make certain flow of liquid will not take place during disassembly.



D. Outboard rotating element components removed illustrating disassembly order.

NOTE

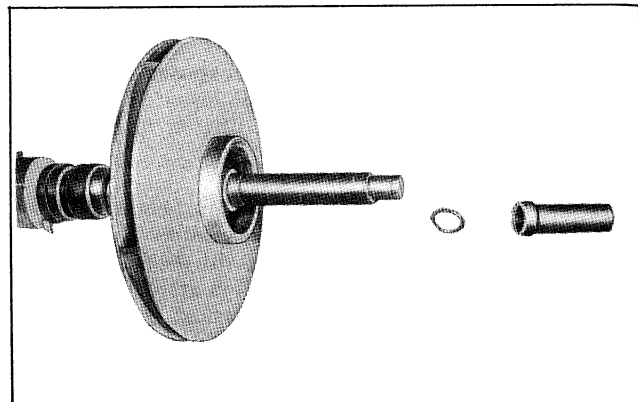
Discharge and suction piping need not be disturbed unless complete pump assembly is to be removed.

3. Drain liquid from pump by removing plugs (1 and 2). Disconnect any flushing, cooling, by-pass lines that are connected to parts that will be removed.
4. Loosen and remove capscrews (6) securing casing half (8) to remainder of pump assembly.

NOTE

If pump being disassembled is size 4 x 5 x 11 or larger, remove capscrews (7) also before attempting to separate casing halves.

5. Make certain all securing capscrews are removed, then carefully remove casing half (8) using hoist or crane with a sling attached around cast hooks on the casing and under the casing.



E. Sleeve and thrust washer removed.

CAUTION

Use extreme care when casing comes loose that it does not drop out of sling as this would cause extensive damage to other components of pump.

6. Remove gasket (9) and scrape mating surfaces of casing halves to remove pieces of gasket which have adhered in separation. Take care not to scratch or mar mating surfaces.

7. On Model 411, 481 and 413, 483 loosen flexible coupling and slide the halves apart. On Model 412 pumps remove flexible shafting.

8. Remove four capscrews (25) securing two bearing caps (26). Lift off bearing caps (26) and pins (27). Mark caps to insure correct replacement and orientation on the respective bearing arms.

9. Loosen and remove four nuts (18), washers (19), and gland clamps (20) securing split halves of two packing glands (21). Remove four swing bolts (22).

10. Assuming that further work is required on shaft and impeller assembly use properly secured rope slings and hoist or crane as required to lift it from casing half (69) and place it on a suitable bench or work surface.

CAUTION

Take care not to dent or damage impeller and/or other parts. Use of a supporting cradle or work stand is recommended.

NOTE

Disassembly procedure from this point covers pumps having standard packing. If pump has mechanical seals, refer to specific instructions.

11. Remove and discard rings of packing (23). Replacement with new packing is recommended whenever pump is disassembled.

12. Slip off flexible coupling halve or spicer coupling and remove key (24). If preferred, the key may be removed by carefully tapping it from outer end with a brass drift or similar non-marring tool, using a small hammer.

13. Remove two casing wearing rings (28).

14. Remove zerks (10) and pipe plugs (12) from cartridge caps (32 and 42).

15. Loosen and remove four capscrews (31) from cartridge cap (32). The outboard shaft end protector (29) may be removed from its recess in the outboard cartridge cap if necessary. Remove retainer ring (35) with a pair of truarc pliers. Also remove gasket (34).

NOTE

If the unit has a tandem shaft, protector (29) is not used.

16. Outboard bearing (38) is press fitted onto shaft (65). To remove it, place a puller on bearing cartridge (36) and

pull cartridge, grease seal (37) and bearing from shaft. The grease seal can be pressed from the bearing cartridge if it needs replacing, then slide slinger (39), lantern ring (52) and bushing (56) off shaft (65).

On 6B and 7 Power Frames remove snap ring (35A) on inboard side of bearing. Then slide slinger (39), lantern ring (52), bushing (56) off shaft.

17. Removal of inboard bearing is basically the same as for outboard bearing. Remove capscrews (41) and slide slinger (40), cartridge cap (42), grease seal (43) and gasket (44) off shaft.

18. Pull or press off bearing cartridge (45), grease seal (46) and bearing (47). Remove slinger (48), lantern ring (52) and bushing (56) from shaft.

19. If pump has right hand rotation, unscrew and remove outboard sleeve (57) first. Remove o-ring (58). If pump has left hand rotation unscrew and remove inboard sleeve (64) first. Remove o-ring (62).

20. Key (63) holds impeller (59) and either sleeve (64) if pump is right hand or sleeve (57) for a left hand pump. These parts can be removed by pulling impeller from shaft (65) and removing key (63) from its position in keyway and sleeve. Unscrew and remove remaining sleeve and gasket.

21. Disassemble wearing ring (61) (optional) from impeller (59) only if necessary. On power frames 5, 6B and 7, remove setscrews (78). Apply a puller and gradually withdraw wearing rings (61) from impeller (59). Wearing rings may have to be cut or trimmed off the impeller. If a lathe is used to trim rings off, use care not to clamp impeller too tight and cause distortion. Also use care not to remove any metal from impeller.

22. Remove locking and locating pins (66, 67 and 68) from casing half (69) only if replacement is necessary.

23. Nameplate (71) and its securing screws (70) should only be removed if replacement is necessary.

24. For Model 413 & 483 pumps unscrew capscrews (75) to remove motor and motor bracket (74) from casing half (69). The motor can be separated from motor bracket by removing capscrews (73).

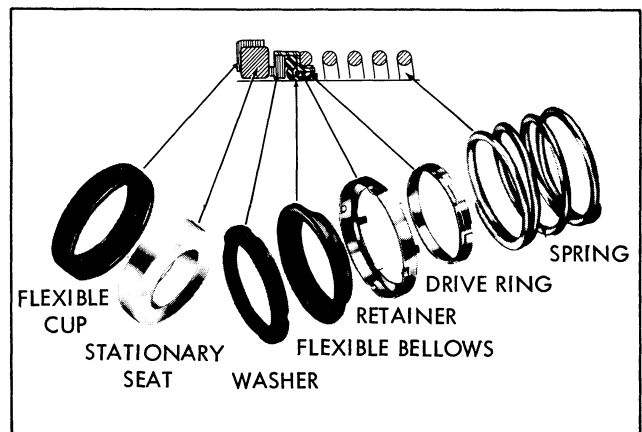


Figure 1. Mechanical Seal

MODELS 411 & 481-412-413 & 483

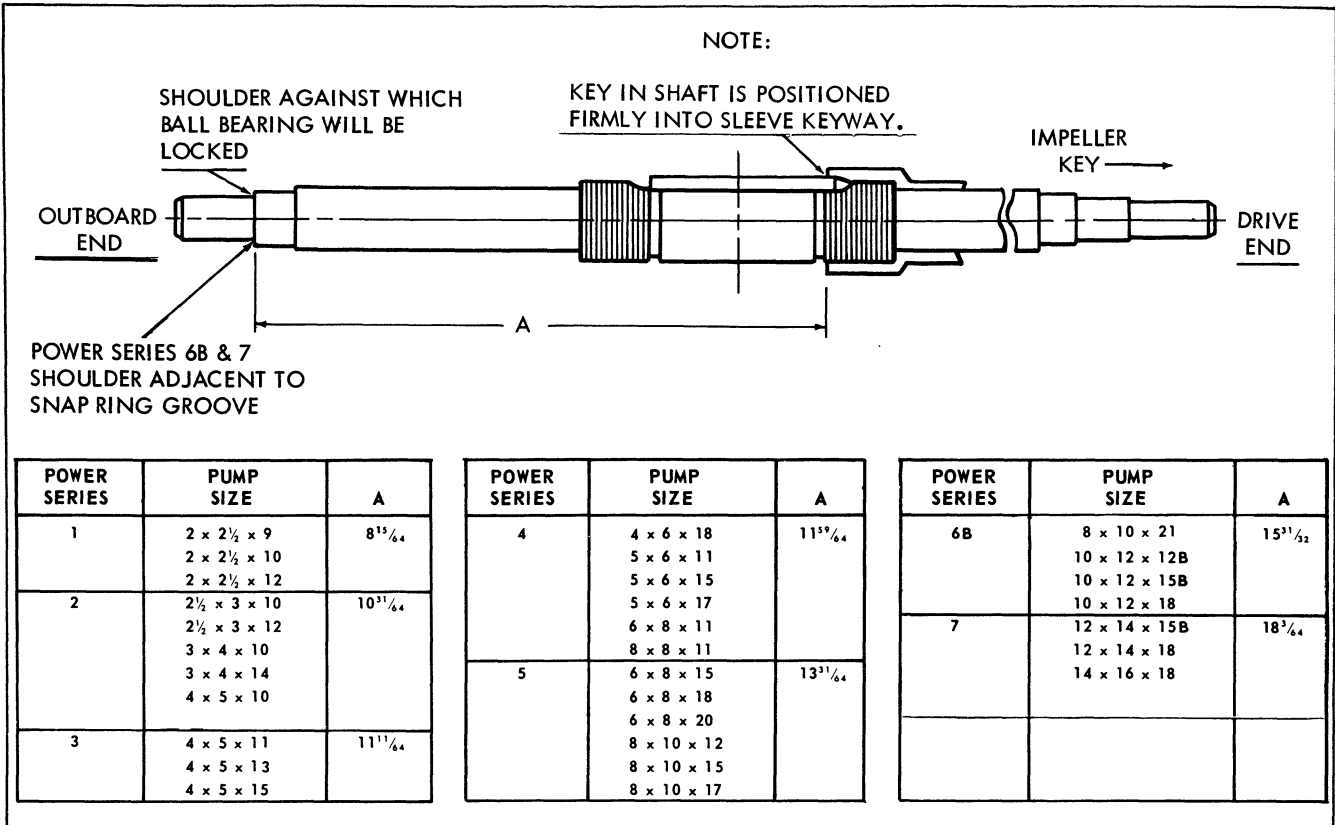


Figure 2. Locating Shaft Sleeve on Shaft, Right Hand Rotation

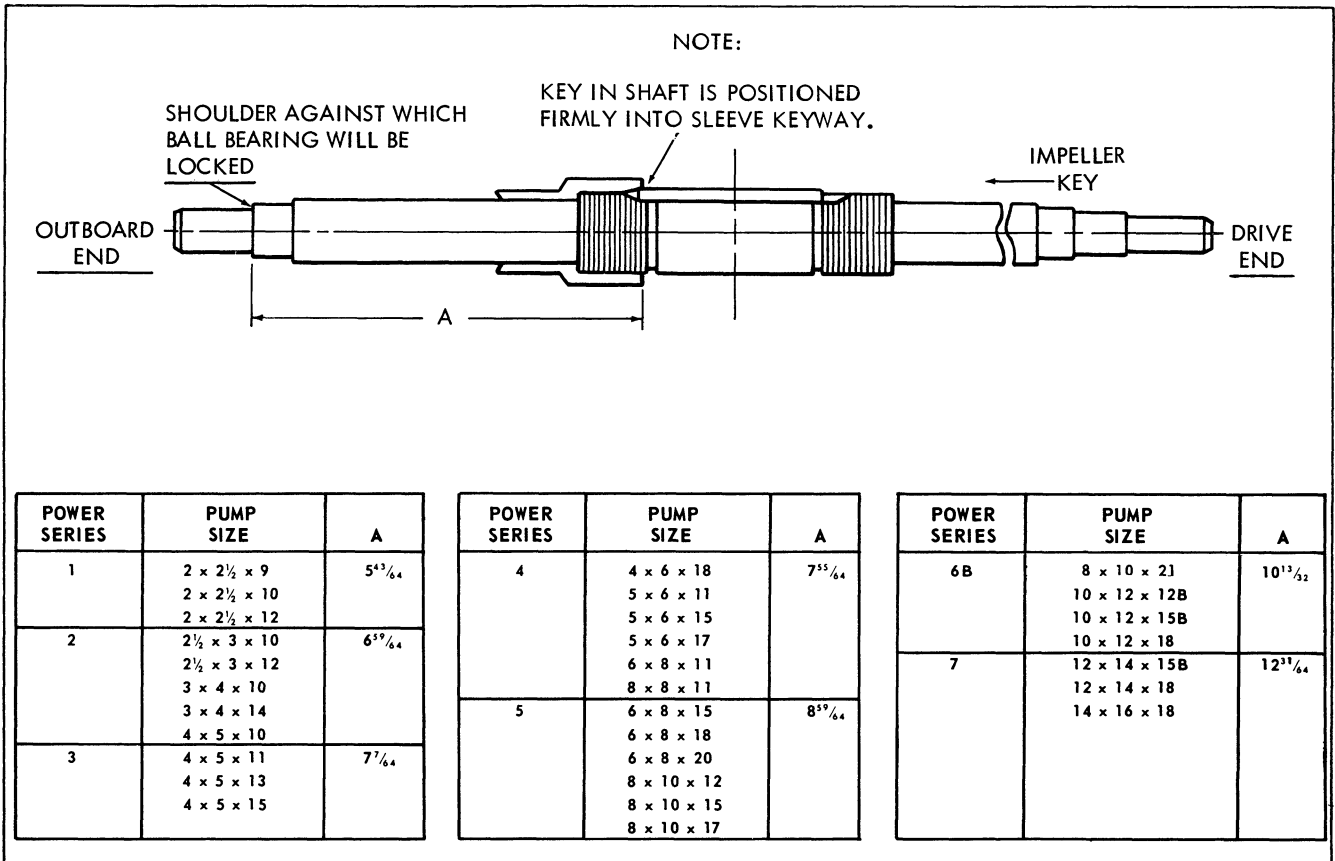


Figure 3. Locating Shaft Sleeve on Shaft, Left Hand Rotation

25. If complete removal of pump is required, disconnect the suction and discharging piping from casing half (69). Remove nuts from foundation bolts and lift pump casing half (69) and base (77) out. When the casing half and base are moved away from the piping, lay them on their side, so that, by removing capscrews (76) the base can be separated from casing half (69).

DISASSEMBLY OF A PUMP WITH MECHANICAL SEALS

1. Perform disassembly procedure as previously given through step 8.

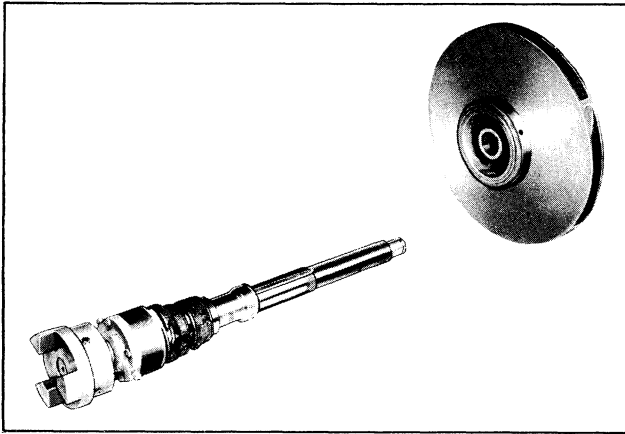
2. Loosen and remove four nuts (18), and washers (19) thus freeing swing bolts (22) to allow shaft and impeller assembly to be lifted from casing half (69) with sling and hoist or crane as described in paragraph 10 above.

CAUTION

Use extreme care in moving this assembly, because ceramic seats can be cracked by sliding loose on the shaft. To prevent this, wrap seal securely in a cloth to stop it from sliding on shaft.

3. With shaft and impeller assembly on a suitable bench, cradle, or work stand, loosen and remove pipe plug (12) from inboard cartridge cap (42). Remove grease zerk (10) and capscrews (41) and slide cartridge cap with grease seal (43) off end of this shaft (65). Remove gasket (44).

4. Either pull or press bearing cartridge (45), grease seal (46) and bearing (47) off shaft. Remove slinger (48).



F. Impeller removed from outboard rotating element.

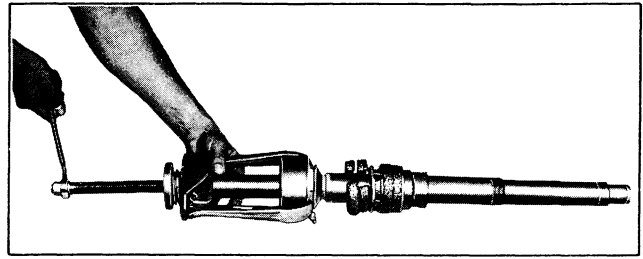
5. The one piece gland (49) used with mechanical seal assembly can now be removed from the shaft.

6. "O" ring (50) can be removed from seal gland if desired.

CAUTION

7. Exercise great care in removing seal assembly (53) to keep from marring or otherwise damaging precision ground mating surfaces.

8. Scribe a mark on shaft sleeves for relocating seal collar on reassembly. Loosen setscrews (55), securing seal collars (54) to shaft sleeves and slide them off.



G. Removing bearing from shaft using conventional puller.

9. Proceed with further disassembly of outboard seal assembly using the same procedure.

10. After removal of mechanical seals, proceed with balance of disassembly in same manner as described for packing design.

REASSEMBLY

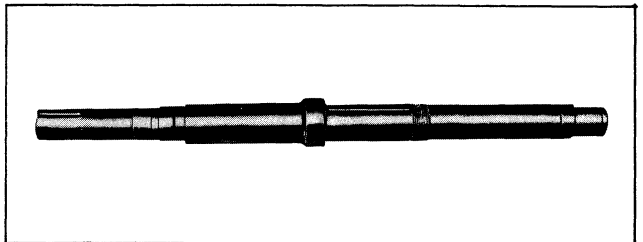
Reassembly will generally be in reverse order of disassembly. If disassembly was not complete use only those steps related to your particular repair program.

1. For Model 412, 413 & 483 pumps, reassemble base (77) to casing half (69) with capscrews (76). Set these parts back on their foundation and connect them to the suction and discharge piping, then secure the base to its foundation by tightening nuts on foundation bolts.

2. Position locating pins (67) in lower casing (69), adding swing bolt pins (68), if used on your pump. Install wearing ring pins (66). Tap pins gently to seat them in place. If nameplate (71) was removed, install it with screws (70). Install o-ring (62) in shaft sleeve (64).

3. On a right hand unit thread inboard sleeve (64) onto shaft (65) distance A (refer to Figure 2). On a left hand unit thread outboard sleeve (57) onto the shaft a distance A (refer to Figure 3). When the sleeve is in position its keyway should align with keyway on shaft. Coat key and keyway with Loctite Sealant Grade 242. Insert key (63) into keyways of shaft and sleeve. Tap it firmly in place.

4. Coat inside diameter of impeller wearing rings (61) (optional) with Loctite sealant Grade 271 and press them over hubs of impeller (59). Do not attempt to hammer impeller wear rings into position, since they are a press fit. Use of an arbor press is preferred. However, placing a block of wood over the impeller wearing ring and pressing it in will work satisfactorily. For power frames 5, 6B and 7 only, two setscrews (78) will be installed by drilling into wearing rings and impeller. The opposite surface of the impeller should be protected from damage throughout the procedures by resting it against soft wood on the surface of work bench.



H. Shaft with sleeve and key in position.

CAUTION

Impeller wearing rings must be given special care because they are press fit. Be sure rings are positioned squarely over the hubs of impeller. A soft-headed hammer may be used to gently tap impeller wearing rings into correct alignment before they are pressed into place.

5. Coat impeller (59) keyway with loctite sealant grade 242 and slide onto shaft until it is firmly against the shaft sleeve. Place o-ring (58) in shaft sleeve (57) and thread shaft sleeve firmly against the impeller.

NOTE

When assembling rotating element of a 410 Series Pump, it is important that the curve of the impeller blades is in agreement with pump rotation. (See insert in Figures 4, 5 and 6).

CAUTION

Carefully check that proper shaft sleeve has been keyed into place for rotation of pump. If correct shaft sleeve is not keyed onto shaft, it can spin loose during operation of pump and cause excessive damage.

6. Install packing or mechanical seals and secure according to the following specific instructions.

STANDARD PACKING

- a. Slide a bushing (56) onto each end of shaft. The raised shoulder on these bushings must face away from impeller.
- b. Pump sizes 2 x 2-1/2 x 9, 2 x 2-1/2 x 10 and 2 x 2-1/2 x 12 have one packing ring (23) in front of lantern ring (52). All other pump sizes have two packing rings in front of lantern ring. Stagger the joints in packing rings so pump will not leak excessively.

MECHANICAL SEALS

a. Single Seal and Balanced Single Seals

- I. Slide one seal lock collar (54) with setscrews (55) facing the impeller onto each end of the shaft. Position on scribe mark made during disassembly and lock in place.
- II. Put a light coat of liquid dishwashing detergent on the shaft sleeve. Check rotating parts of seal to make sure they are clean. Spread a light coat of liquid detergent on inside diameters of flexible bellows and washers.
- III. Place the seal's spring, drive ring, retainer, flexible bellows, and washer on the shaft sleeve in respective order. (Refer to Figure 1.)
- IV. Thoroughly inspect cavity of seal gland (49) for burrs or nicks which would damage seat of

the seal. Apply a film of liquid detergent to seal seat and install it in seal gland cavity, taking care to seat it evenly and squarely.

NOTE

If it is not possible to insert the seat with fingers, place a cardboard protecting ring, furnished with seal, over lapped face of seat and press into place with a piece of tubing having end cut square. Tubing should be slightly larger than the diameter of the shaft. Remove cardboard after the seat is firmly in place.

CAUTION

Never place a mechanical seal into service after it has been used without replacing or relapping stationary seat and washer faces.

V. Place "O" rings (50) around the seal glands and slide seal glands onto the ends of the shaft.

b. Double Seal

I. Place one seal seat in collar (54), the other one fits into seal gland (49). These parts are set into their cavities in the same manner as they are with a single seal.

II. Place "O" rings (51) around collars (54) and put the collars with stationary seats facing away from impeller on ends of the shaft, then slide flexible bellows, washers, and springs on the shaft in order shown in figure 1, for each half of double seal assembly (53).

III. Place "O" rings (50) around the seal glands (49) and slide seal glands onto ends of the shaft with stationary seats facing impeller.

7. Place slinger (39) onto outboard end of the shaft.

8. Press grease seal (37) into bearing cartridge (36). On 6B and 7 Power Frames replace snap ring (35A) on inboard side of bearing. Place outboard double row ball bearing (38) in bearing cartridge and press these parts onto outboard end of the shaft. Snap retainer ring (35) in place to secure outboard bearing. Place gasket (34) and cartridge cap (32) in position and secure with capscrews (31).

NOTE

Model 412, 413 & 483

Both the grease zerk holes in bearing cartridges and the pipe plug holes in cartridge caps must be facing the front of pump when it is assembled.

9. Protector (29) can be placed in the cartridge cap or if unit has a tandem shaft, press grease seal into cartridge cap and slide a slinger onto shaft.

10. Place slinger (48) on inboard end of the shaft.

11. Press grease seal (46) into bearing cartridge (45). Place the inboard ball bearing (47) in the bearing cartridge and press this assembly onto inboard end of the shaft.

12. Press grease seal (43) into cartridge cap (42). Position gasket (44) and cartridge cap against bearing cartridge and secure it in place with capscrews (41). Be sure to align grease zerk hole and pipe plug hole to the front.

13. Place slinger (40) onto shaft. Place grease zerks (10) in bearing cartridges and pipe plugs (12) in bearing caps. If pump is oil lubricated, breather tubes are placed in bearing cartridges and oilers with nipples and elbows are placed in cartridge caps.

14. Slide casing wearing rings (28) over impeller wearing rings (61) and set rotating element into casing halve (69). Make certain the holes that are drilled in bottom surface of casing wearing rings locate over pins (66) previously set in casing halve (69). Grease zerks or breather tube should face outward.

15. Install key (24) in motor end of shaft (65). Check positioning and alignment of packing rings or seal components and install swing bolts (22) and split gland halves (21) if the pump has packing. Place in position clamps (20), washers (19), and nuts (18) securing loosely in place. Swing bolts (22) are set over pins (68) on 4 x 5 x 10 or smaller pumps. On larger pumps swing bolts are held in place by capscrews (7) after casing halve (8) is in position.

16. Place pins (27) into bearing cartridges. Place bearing caps (26) in position and secure with capscrews (25).

17. Position new casing gaskets (9) on casing halve (69). Set casing halve (8) in place and secure it to casing halve (69) with capscrews (6). Pins (67) are used as a means of locating position of the two casing halves.

18. On pumps larger than 4 x 5 x 10, thread in capscrews (7) making sure they are placed through the eyes of swing bolts (22).

19. Place drain plugs (1) and (2) back in the casing halves.

20. On Model 413 & 483 pumps, set the motor on motor bracket (74) and fasten them together with capscrews (73). Slide the flexible coupling halves onto the pump and motor shafts. Attach motor bracket to casing halve (69) with capscrews (75). Connect flexible coupling halves. On Model 412 pumps, attach flexible shafting. Ideal joint operating angle is 1° to 5°. On Model 411 pumps, if lower casing was removed from the base, see section on Installation for proper methods of realigning pump to motor and piping.

21. Replace any flushing, cooling, by-pass or drain lines that were removed from the pump. Connect electricity back to the motor.

STARTING PUMP AFTER REASSEMBLY. Do not start pump until all air and vapor have been bled and making sure that there is liquid in pump to provide necessary lubrication.

NOTE

Do not over tighten standard packing assembly before returning unit to operation. Jog the pump to check for proper rotation. Then allow pump to run for a short time, gradually tighten nuts (18) until dripping has been reduced to its normal level.

NOTE

WHEN ORDERING SPARE PARTS ALWAYS INCLUDE THE PUMP TYPE, SIZE, SERIAL NUMBER, AND THE PIECE NUMBER FROM THE EXPLODED VIEW IN THIS MANUAL.

ORDER ALL PARTS FROM YOUR LOCAL AUTHORIZED DISTRIBUTOR, FACTORY BRANCH SALES OFFICE OR THE FACTORY AT NORTH AURORA, ILLINOIS.

MODELS 411 & 481-412-413 & 483

MODEL 411 & 481 LIST OF PARTS (See Figure 4)

1. Plug	25. Capscrew	41. Capscrew	56. Bushing
2. Plug	26. Bearing Cap	42. Cartridge Cap	57. Sleeve
6. Capscrew	27. Pin	43. Grease Seal	58. O-Ring
7. Capscrew	28. Wearing Ring	44. Gasket	59. Impeller
8. Casing	29. Protector	45. Cartridge	61. Wearing Ring
9. Gasket	31. Capscrew	46. Grease Seal	62. O-Ring
10. Grease Fitting	32. Cartridge Cap	47. Bearing	63. Key
12. Plug	34. Gasket	48. Slinger	64. Sleeve
18. Nut	35. Retaining Ring	49. Gland	65. Shaft
19. Washer	35A. Retaining Ring	50. "O" Ring	66. Pin
20. Clamp	36. Cartridge	51. "O" Ring	67. Pin
21. Gland Half	37. Grease Seal	52. Lantern Ring	68. Pin
22. Swing Bolt	38. Bearing	53. Seal	69. Casing
23. Packing	39. Slinger	54. Collar	70. Drivescrew
24. Key	40. Slinger	55. Setscrew	71. Nameplate
			78. Setscrew

MODEL 412 LIST OF PARTS (See Figure 5)

1. Plug	26. Bearing Cap	43. Grease Seal	59. Impeller
2. Plug	27. Pin	44. Gasket	61. Wearing Ring
6. Capscrew	28. Wearing Ring	45. Cartridge	62. Gasket
7. Capscrew	29. Protector	46. Grease Seal	63. Key
8. Casing	31. Capscrew	47. Bearing	64. Sleeve
9. Gasket	32. Cartridge Cap	48. Slinger	65. Shaft
10. Grease Fitting	34. Gasket	49. Gland	66. Pin
12. Plug	35. Retaining Ring	50. "O" Ring	67. Pin
18. Nut	35A. Retaining Ring	51. "O" Ring	68. Pin
19. Washer	36. Cartridge	52. Lantern Ring	69. Casing
20. Clamp	37. Grease Seal	53. Seal	70. Drivescrew
21. Gland Half	38. Bearing	54. Collar	71. Nameplate
22. Swing Bolt	39. Slinger	55. Setscrew	76. Capscrew
23. Packing	40. Slinger	56. Bushing	77. Base
24. Key	41. Capscrew	57. Sleeve	78. Setscrew
25. Capscrew	42. Cartridge Cap	58. Gasket	

MODEL 413 & 483 LIST OF PARTS (See Figure 6)

1. Plug	27. Pin	45. Cartridge	62. Gasket
2. Plug	28. Wearing Ring	46. Grease Seal	63. Key
6. Capscrew	29. Protector	47. Bearing	64. Sleeve
7. Capscrew	31. Capscrew	48. Slinger	65. Shaft
8. Casing	32. Cartridge Cap	49. Gland	66. Pin
9. Gasket	34. Gasket	50. "O" Ring	67. Pin
10. Grease Fitting	35. Retaining Ring	51. "O" Ring	68. Pin
12. Plug	35A. Retaining Ring	52. Lantern Ring	69. Casing
18. Nut	36. Cartridge	53. Seal	70. Drivescrew
19. Washer	37. Grease Seal	54. Collar	71. Nameplate
20. Clamp	38. Bearing	55. Setscrew	73. Capscrew
21. Gland Half	39. Slinger	56. Bushing	74. Bracket
22. Swing Bolt	40. Slinger	57. Sleeve	75. Capscrew
23. Packing	41. Capscrew	58. Gasket	76. Capscrew
24. Key	42. Cartridge Cap	59. Impeller	77. Base
25. Capscrew	43. Grease Seal	61. Wearing Ring	78. Setscrew
26. Bearing Cap	44. Gasket		

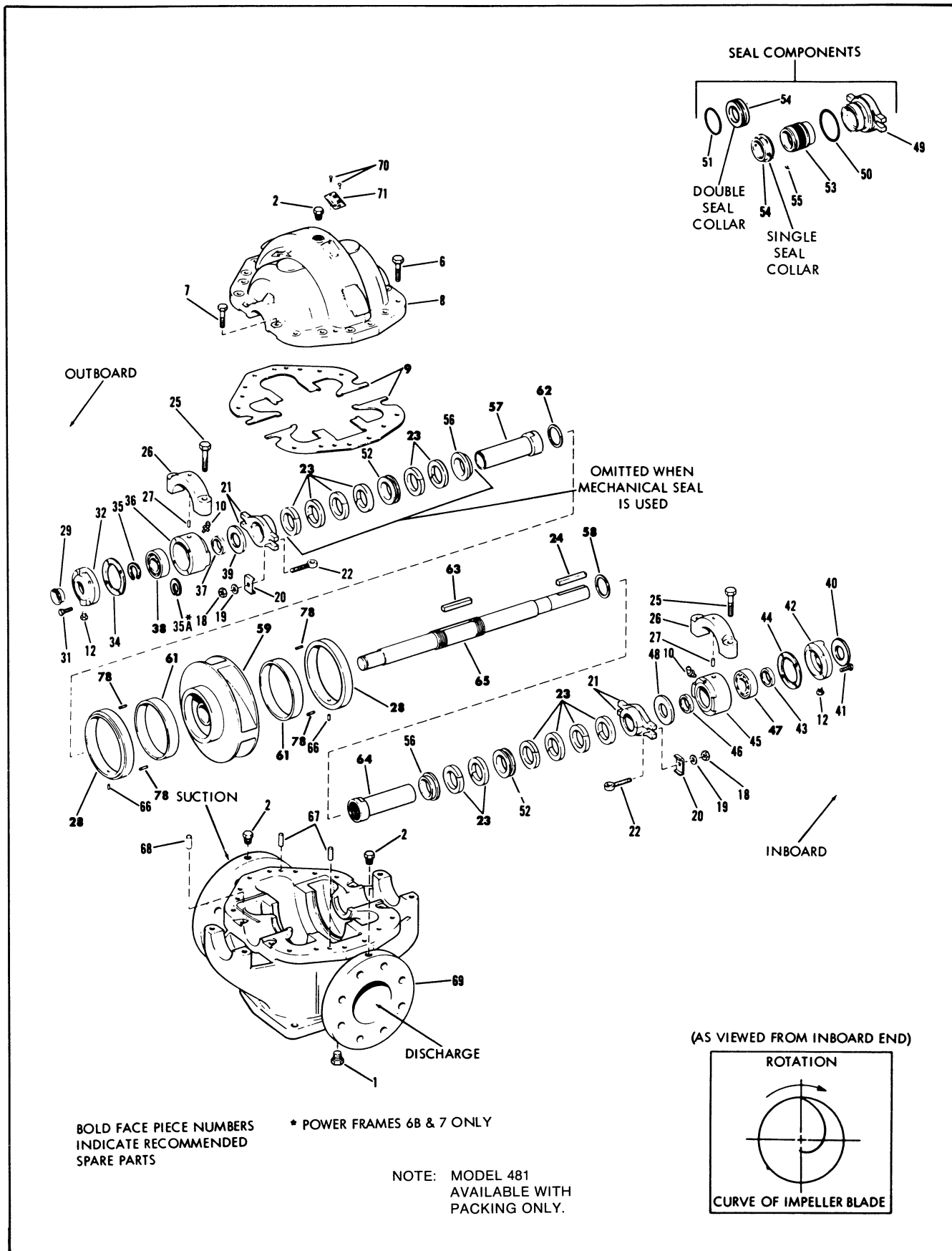


Figure 4. Model 411 & 481 Exploded View

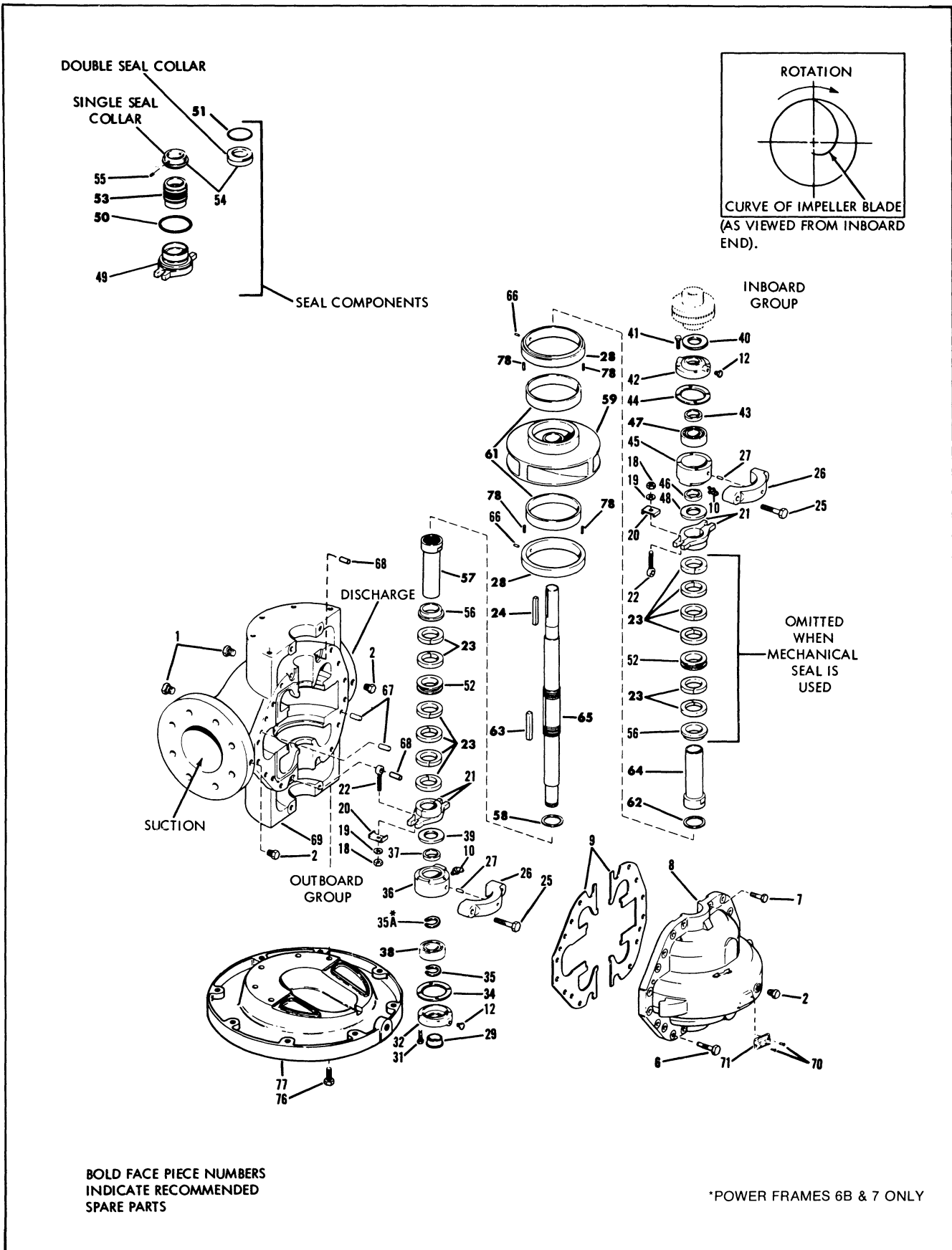


Figure 5. Model 412 Exploded View

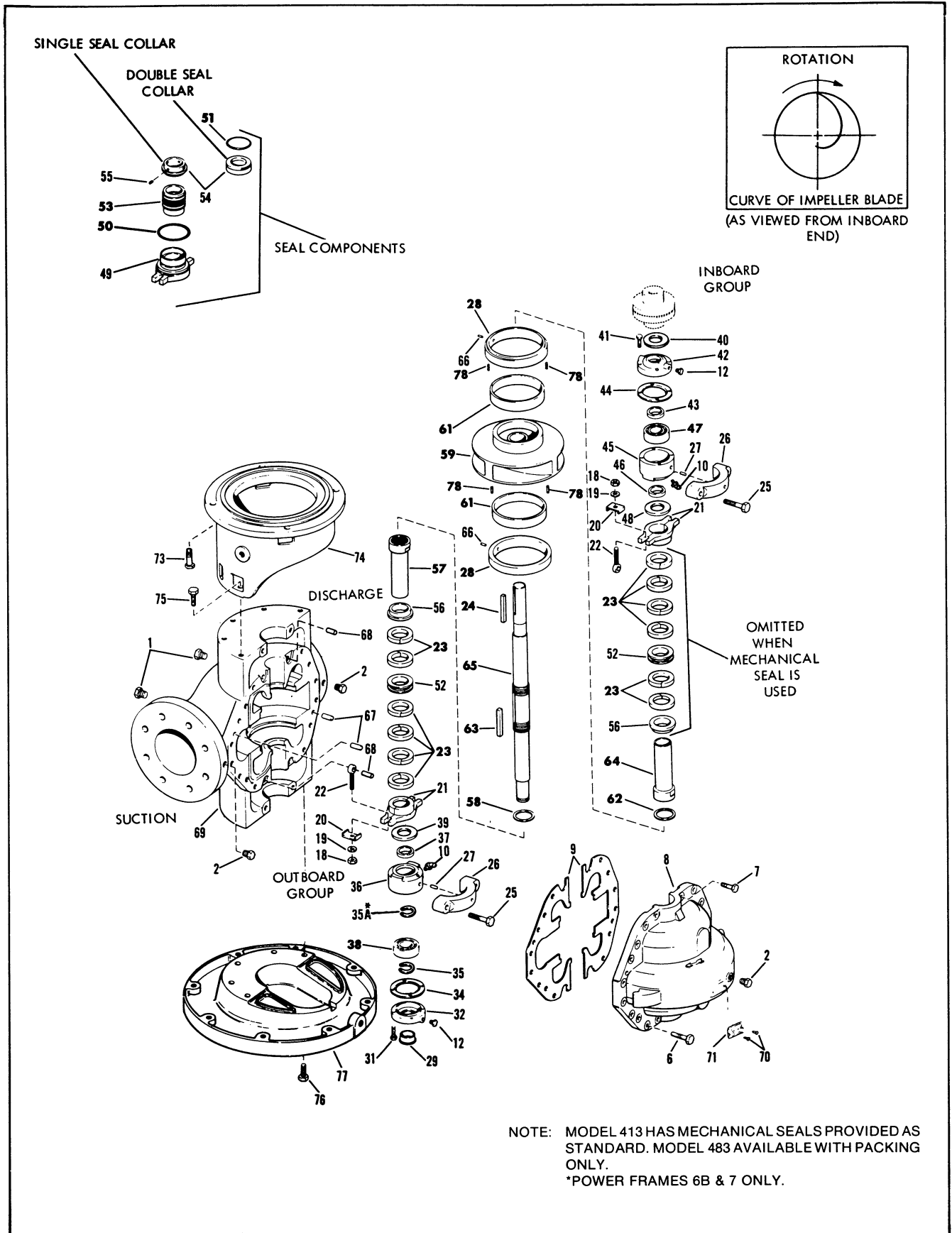


Figure 6. Model 413 & 483 Exploded View

