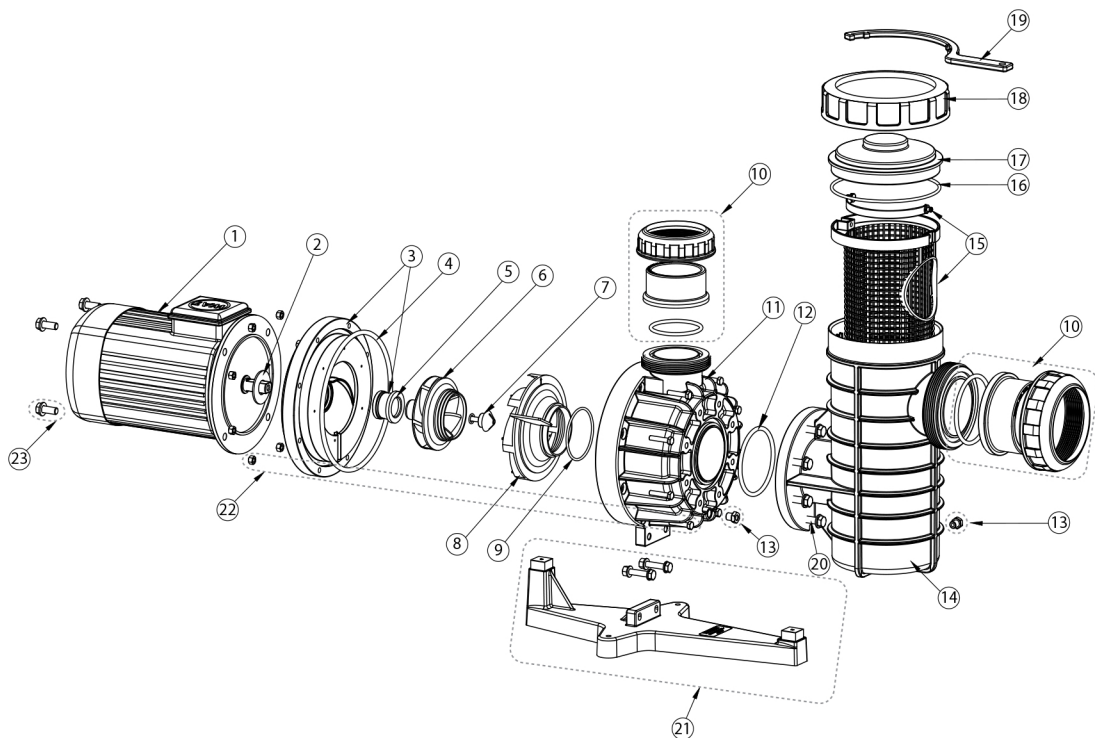


# 5PSP- 3,5- 4,5- 5,5HP

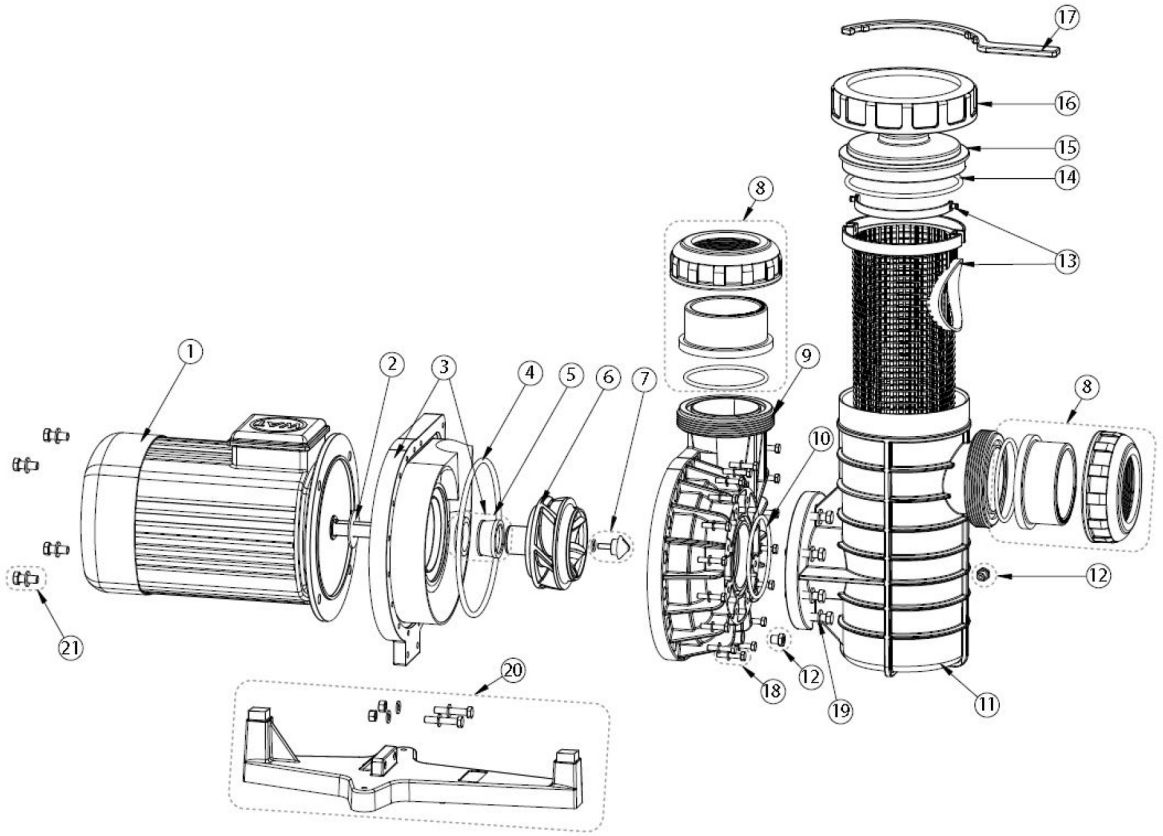
## REPLACEMENT PARTS



Item	Part No.	Description
1	RPSP3531	Motor - Tri Phase 3,50HP
	RPSP4531	Motor - Tri Phase 4,50HP
	RPSP5531	Motor - Tri Phase 5,50HP
2	RPSP3530	Waterslinger
3	RPSP3529	Seal Plate incl. Mechanical Seal
4	See set.	O-ring
5	See seal set.	Mechanical Seal
6	RPSP3526	Impeller 3,50HP
	RPSP4526	Impeller 4,50HP
	RPSP5526	Impeller 5,50HP
7	RPSP3524	Impeller Lock Screw incl. O-ring
8	RPSP3523	Diffuser
9	See seal set.	O-ring
10	PMP35-18	Union Nut Discharge
	IPMP35-17	Union Tail Discharge
	IPMP35-09	Union Nut Suction
	IPMP35-08	Union Tail Suction
11	RPSP3515	Pump Body
12	RPSP3514	O-ring
13	RPSP3510	Drain Plug
14	RPSP3511	Strainer Pot
15	RPSP3506	Basket
16	RPSP3504	O-ring
17	RPSP3503	Lid
18	RPSP3502	Locking Ring
19	RPSP3501	Wrench for locking ring
20	RPSP3512	Bolt Set
21	RPSP35201	Base 3,5HP
	RPSP35202	Base 4,5 - 5,5HP
22	RPSP3513	Bolt Set
23	RPSP3532	Bolt Set
	RPSPSETA	Seal Set (Partn° 2, 4, 5, 9, 12, 16)

# 5PSP- 7,5-10HP

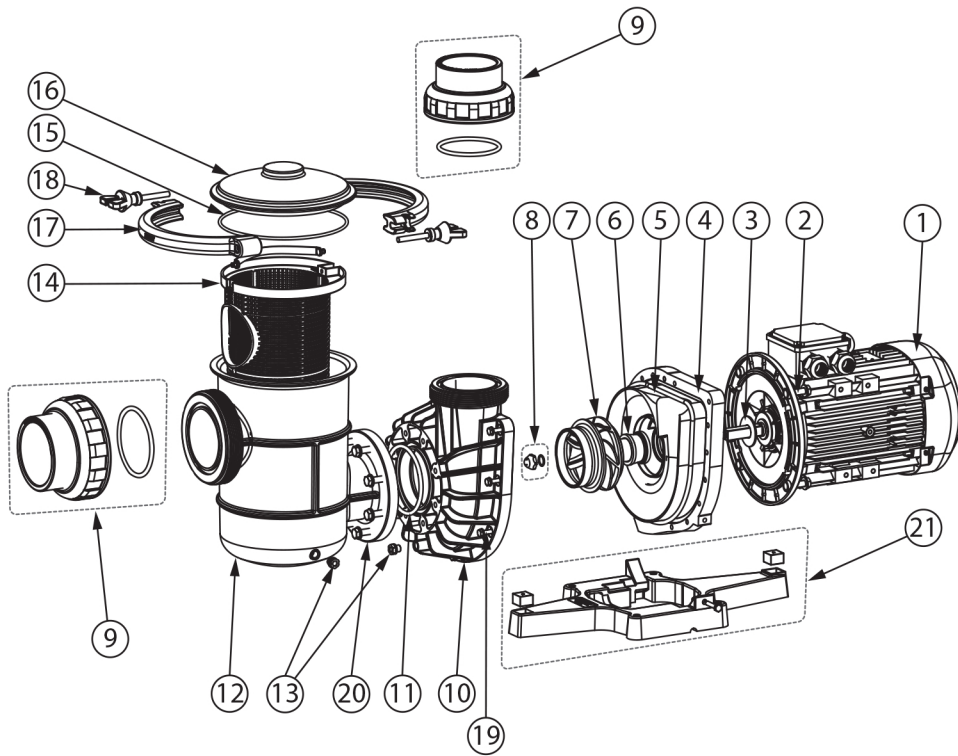
## REPLACEMENT PARTS



Item	Part No.	Description
1	RPSP7531	Motor - Tri Phase 7,50HP
	RPSP1031	Motor - Tri Phase 10HP
2	RPSP7528	Waterslinger
3	RPSP7527	Seal Plate incl. Mechanical Seal
4	See seal set.	O-ring
5	See seal set.	Mechanical Seal
6	RPSP7524	Impeller 7,50HP
	RPSP1024	Impeller 10HP
7	RPSP7522	Impeller Lock Screw incl. O-ring
8	PMP35-09	Union Nut
	IPMP35-08	Union Tail
9	RPSP7515	Pump Body
10	See seal set.	O-ring
11	RPSP3511	Strainer Pot
12	RPSP3510	Drain Plug
13	RPSP3506	Basket
14	See seal set.	O-ring
15	RPSP3503	Lid
16	RPSP3502	Locking Ring
17	RPSP3501	Wrench for locking ring
18	RPSP3513	Bolt Set
19	RPSP3512	Bolt Set
20	RPSP3520	Base
21	RPSP7530	Bolt Set
	RPSPSETB	Seal Set (Partn° 2, 4, 5, 10, 14)

# 5PSP- 7,5 - 10 - 12,5HP V2

## REPLACEMENT PARTS



Item	Part No.	Description
1	RPSPS7529	Motor - Tri Phase 7,50HP
	RPSPS1029	Motor - Tri Phase 10HP
	RPSPS1229	Motor - Tri Phase 12,5HP
2	RPSP7530	Bolt Set
3	RPSP7528	Waterslinger
4	RPSPS7527	Seal Plate incl. Mechanical Seal
5	See seal set.	O-ring
6	See seal set.	Mechanical Seal
7	RPSPS7524	Impeller 7,50HP
	RPSPS1024	Impeller 10HP
	RPSPS1224	Impeller 12,5HP
8	RPSP7522	Impeller Lock Screw incl. O-ring
9	IPMP35-08	Union Tail Discharge
	PMP35-09	Union Nut Discharge
	IPMP75-08	Union Tail Suction
	PMP75-09	Union Nut Suction
10	RPSP7514	Pump Body
11	See seal set.	O-ring
12	RPSP7507	Strainer Pot
13	RPSP3510	Drain Plug
14	RPSP3506	Basket
15	RPSP7503	O-ring
16	RPSP7501	Lid
17	RPSP7504	Locking Clamps
18	RPSP7502	Screws for Locking Clamps
19	RPSP3513	Bolt Set
20	RPSP3512	Bolt Set
21	RPSP7517	Base
	RPSPSETC	Seal Set (Partn° 3, 5, 6, 11, 15)