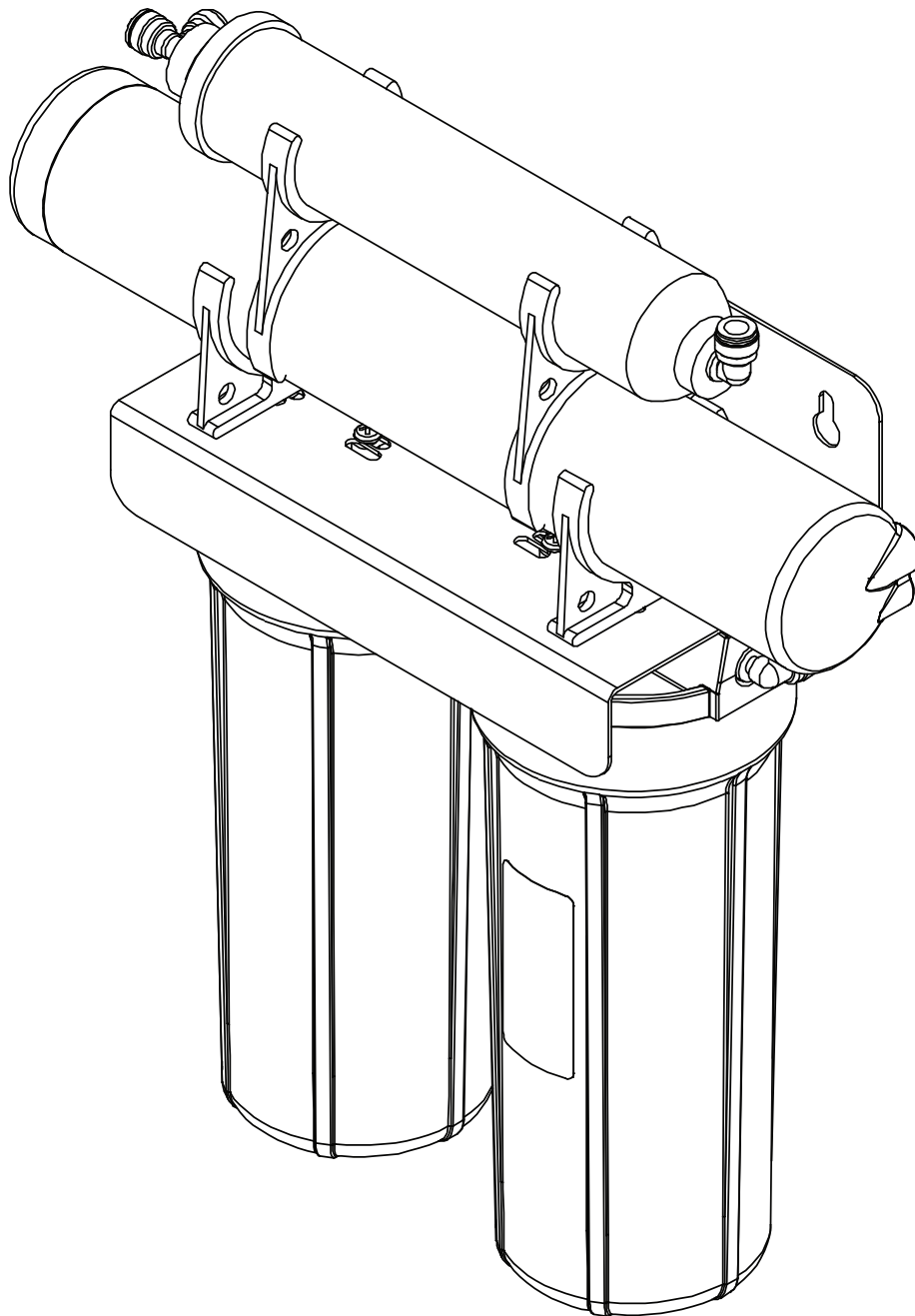
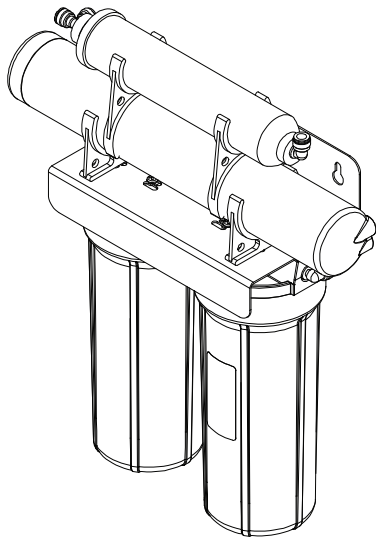




GRO-2550 4-STAGE REVERSE OSMOSIS
WATER FILTRATION SYSTEM
INSTALLATION AND OPERATION MANUAL





GRO-2550 Filtration System

INSTALLATION INSTRUCTIONS

English Pages 3-15
Repair Parts Pages 13-14

GRO-2550 Sistema de filtración

INSTRUCCIONES DE INSTALACIÓN

Español Páginas 16-28
Piezas de repuesto Páginas 26-27

GRO-2550 Système de filtration

DIRECTIVES D'INSTALLATION

Français Pages 29-41
Pièces de Rechange Pages 39-40

IMPORTANT: Before installing this reverse osmosis system, make certain your water supply complies with the following operating specifications. Failure to do so may reduce the effectiveness of the system and will void the warranty.

SPECIFICATIONS

Thin Film Membrane:	GRO- 50EN
Feed Water Pressure:	40 to 100 psi (2.75–6.9 bar)
Temperature Range:	40–100°F (4.4–37.7°C)
TDS:	2000 ppm
Maximum Hardness [†] :	10 gpg (171 mg/L)
Sulfide, Iron and Manganese [‡] :	<0.1 ppm
Chlorine in Water Supply:	Less than 2 ppm
pH Limits:	3–11

[†]If the hardness of your water is above 10 gpg (171 mg/L), lime scale will build up rapidly on the membrane. Scale buildup will plug the membrane and make the system ineffective. We do not recommend these reverse osmosis systems to be used with water in excess of 10 gpg (171 mg/L) hardness.

[‡]A maximum total level of approximately 0.01 ppm sulfide, iron or manganese is permissible. See your local dealer to reduce these substances in your water.

PARTS INCLUDED: (SEE BACK OF MANUAL FOR DIAGRAM)

Pre-assembled filter system (mounting bracket, encapsulated membrane element, pre- and post-filter housings and pre- and post-filter cartridges).

- Storage tank
- Inlet supply adapter
- Drain clamp
- 1/4-inch Tubing
- Tank valve
- Chrome faucet
- Feed tubing
- Sump wrench
- 3/8-inch Tubing

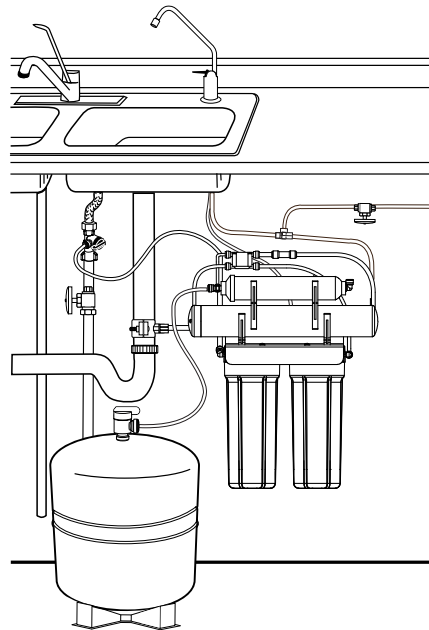
Tools and Materials Required

- Hand or electric drill (cordless preferred)
- (2) Adjustable wrenches
- Slotted and Phillips screwdrivers
- File
- Safety glasses
- Drill bits: 1/8", 3/16", 1/4", 3/8"

If sink does not have hole for separate faucet:

- Center punch
- Cone-shaped grinding wheel
- 1-1/4" hole saw or drill bit
- Safety mask

NOTE: All tools may not be necessary for installation. Read installation procedures before starting to determine what tools are necessary.



SYSTEM DIMENSIONS:

Overall Dimensions:	15-inch W x 5½-inch D x 17¼-inch H (38.1 cm W x 12.7 cm D x 43.8 cm H)
Weight:	18 lbs. (8.16 kg)
Tank Dimensions:	13½-inch W x 9 inch D x 9 inch H (34.29 cm W x 22.86 cm D x 22.86 cm H)
Tank Capacity Max:	2.8 gal. (10.6 L)
Tank Air Pressure Empty:	5 to 7 psi (0.34 to 0.48 bar)
Tank Weight (Full):	28.5 lbs. (12.9 kg)

HOW REVERSE OSMOSIS WORKS

The GRO-2550 Reverse Osmosis (RO) System uses a semi-permeable membrane to reduce dissolved salts and minerals, improving the taste and odor of your water. The RO membrane is made of layers of micron-thin film wound around a hollow center core. Water molecules can pass through the membrane, but dissolved salts and minerals are rejected.

The GRO-2550 Reverse Osmosis System features 4-stage filter action. Your water supply is pre-filtered to reduce dirt and chlorine that may foul the membrane. The RO membrane separates this pre-filtered water into PRODUCT WATER and DRAIN or REJECT WATER. Incoming water pressure forces the product water through the membrane and into the storage tank. Dissolved solids and other contaminants cannot pass through the membrane and are sent to the drain as reject water. When you open the drinking water faucet, product water is drawn from the storage tank through an activated carbon post-filter, providing you with cleaner, great-tasting water.

For each gallon of water produced, several gallons are discharged as reject water. The storage tank can hold up to 2.8 gallons (10.6 L) of water at a time, for drinking and cooking needs. When used under the Specifications on page 3 of the manual, your Reverse Osmosis membranes should last 12-24 months.

CALIFORNIA PROPOSITION 65 WARNING

⚠ WARNING: This product contains chemicals known to the State of California to cause cancer or birth defects or other reproductive harm.

PRECAUTIONS

GENERAL

⚠ WARNING: Do not use with water that is microbiologically unsafe or of unknown quality without adequate disinfection before or after the system. Systems certified for cyst reduction* may be used on disinfected waters that may contain filterable cysts.

*NSF/ANSI Standard 58 certified to reduce cysts such as *Cryptosporidium* and *Giardia* by mechanical means.

CAUTION: Filter must be protected against freezing, which can cause cracking of the filter and water leakage.

CAUTION: Because of the product's limited service life and to prevent costly repairs or possible water damage, we strongly recommend that the bottom of all plastic housings be replaced every five years for clear and ten years for opaque. If the bottom of your housing has been in use for longer than this period, it should be replaced immediately. Date the bottom of any new or replacement housing to indicate the next recommended replacement date.

NOTE:

- Your water must be within required limits for satisfactory operation. If not, your membrane life may be shortened and your warranty will be voided (see Specifications on page 3).
- This reverse osmosis system will not protect against disease-causing bacteria or remove naturally-occurring harmless bacteria.
- Install on cold water line only.
- Do not use wicking or sealer to fit connections into the cap of the filter. Plumber tape is recommended.
- Make certain that installation complies with all state and local laws and regulations.
- The replacement cartridges and reverse osmosis element included with this system have limited service lives. Changes in taste, odor, and color of the water being filtered indicate that the cartridge should be replaced (see Replacing the Pre- and Post-Filters on page 10, and Replacing the osmosis element, on page 11).
- After prolonged periods of non-use (such as during a vacation) it is recommended that the system be flushed for 5 minutes before it is used.
- A drinking water cartridge may contain carbon fines (very fine black powder). After installation, flush the system for 5 minutes to remove the carbon fines before using the water.
- It is recommended that you run the tap at least 20 seconds prior to using water for drinking or cooking purposes.
- The contaminants or other substances removed or reduced by this water treatment device are not necessarily present in your water.

RO MEMBRANE PRECAUTIONS

CAUTION: Chlorine will destroy the GRO-EN reverse osmosis element. If you use the GRO-2550 with a chlorinated or periodically-chlorinated water supply, it is **ABSOLUTELY NECESSARY** to use a carbon pre-filter (included with the system). The carbon pre-filter should be changed at least every 6-12 months to avoid chlorine bypass. See Warranty for disclaimers and limitations that apply to the GRO-50EN element.

NOTE:

- To make sure no chlorine is present in the water that reaches the membrane, you may want to use a chlorine test kit to check the brine/reject water that flows from the membrane to the drain. No chlorine should be detected.
- The GRO-50EN element is resistant to naturally-occurring bacteria.

BASIC INSTALLATION PROCEDURE GUIDELINES

- For standard, under-sink installation on 3/8-inch (10 mm) steel, brass, or copper cold water line.
- Please read all instructions and precautions before installing and using your GRO-2550.
- Numbered diagrams correspond with numbered steps.

INSTALLATION

- Read all installation and operating instructions before installing and using your RO system.
- Numbered diagrams correspond with numbered steps.

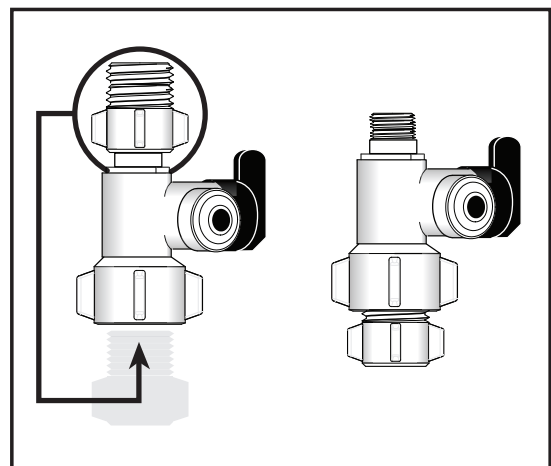
1. Installing the Water Supply Adapter

The supply adapter fits 1/2"-14 NPS supply threads or 3/8" x 3/8" compression. If local codes permit, it may be used to connect the system to the cold water supply line. If local codes do not permit the use of the supply adapter, alternate connectors can be obtained from your local supplier.

Directions:

- Turn off cold water supply line. If cold water line does not have a shut-off valve under the sink, you should install one.
- Turn on the cold water faucet and allow all water to drain from line.
- Disconnect riser cold water supply valve.
- Ensure the sealing gasket is fully seated into the feed adapter valve female thread.
- Install feed adapter valve onto supply valve as desired. The feed adapter valve may be installed at the bottom of the supply hose or the top of the cold water line. Hand tighten only.
- Connect the riser to the feed adapter valve.

NOTE: Be careful not to cross-thread.



INSTALLATION CONTINUED . . .

2. Selecting the Faucet Location

The drinking water faucet should be positioned with function, convenience and appearance in mind. An adequate flat area is required to allow faucet base to rest securely. The faucet fits through a 1¼-inch hole. Most sinks have pre-drilled ½-inch or ¾-inch diameter holes designed for spray hoses. The drinking water faucet may be installed using one of these holes, despite their larger size. If these pre-drilled holes cannot be used or are in an inconvenient location, it will be necessary to drill a 1¼-inch hole in the sink or through countertop next to the sink for the faucet.

CAUTION: This procedure may generate dusts which can cause severe irritation if inhaled or come in contact with the eyes. The use of safety glasses and safety mask for this procedure is recommended.

CAUTION: Do not attempt to drill through an all-porcelain or porcelain-coated sink. For applications on these types of sinks, we recommend using the sprayer hole or mounting the faucet through the countertop.

CAUTION: When drilling through a countertop, make sure the area below the drilled area is free of wiring and piping. Make certain that you have ample room to make the proper connections to the bottom of the faucet.

CAUTION: Do not drill through a countertop that is more than 1 inch thick.

CAUTION: Do not attempt to drill through a tiled, marble, granite or similar countertop. Consult a plumber or the countertop manufacturer for advice or assistance.

The following instructions apply to stainless steel sinks ONLY.

- (A) Line bottom of sink with newspaper to prevent shavings, parts or tools from falling down the drain.
- (B) Place masking tape over the area to be drilled to help prevent scratches if drill bit slips.
- (C) Mark point with center punch. Use a ¼-inch drill bit to drill a pilot hole through sink.
- (D) Use a 1¼-inch hole saw to enlarge hole. Smooth rough edges with a file.

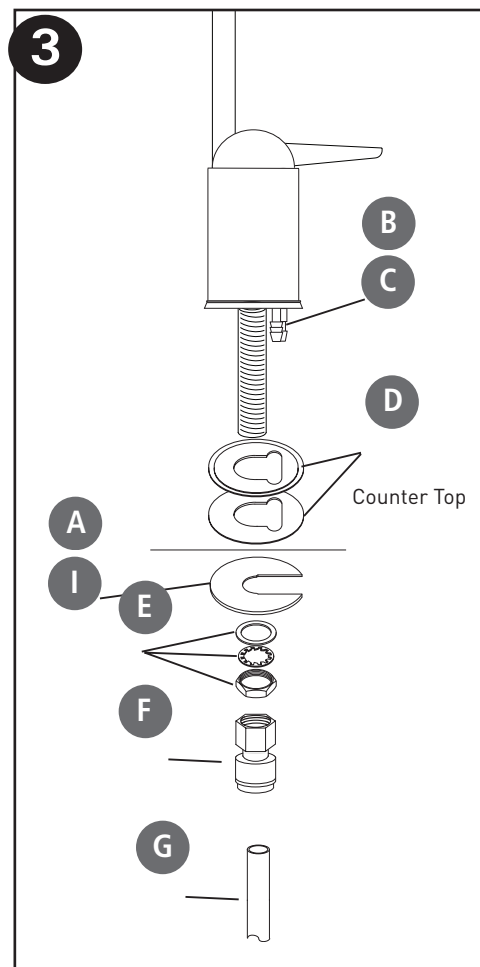
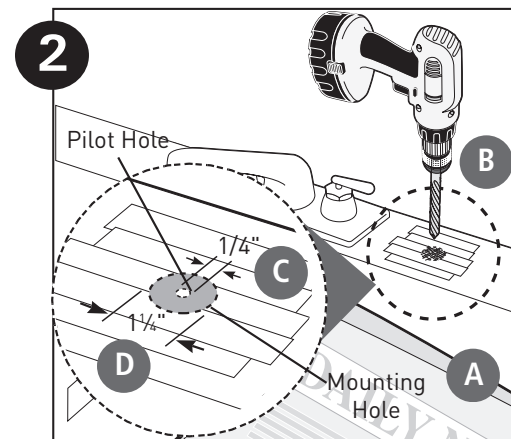
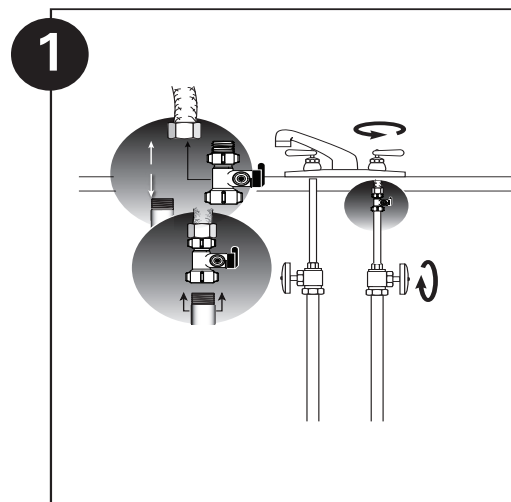
3. Mounting the Faucet

- (A) Loosen stem-nut on faucet, remove metal slotted disc (if attached).
 - (B) Attach large diameter 3/8-inch drain tube to barb fitting at the faucet base. This tube should be long enough to reach the drain clamp in Step 4.
 - (C) Locate the small diameter 1/4 inch drain tube connected to the drain port of the GRO element. Route the tubing to the faucet and cut off the excessive length of tubing. Retain extra tubing for connecting storage tank to RO system.
 - (D) Attach 1/4 inch drain tubing from RO system to other barb fitting at faucet.
 - (E) Slide chrome plate and black rubber washer onto faucet by threading both drain tubes through the holes on the plate and washer.
 - (F) Slide white extension onto long threaded section of faucet. Open end of extension should come in contact with base of faucet.
 - (G) Apply 3-5 wraps of plumber tape to faucet stem. Screw quick connector onto end of threads.
 - (H) Wet end of 3/8" tube. Push into bottom of connector. Tug gently to be sure connection is complete.
- NOTE:** To remove the tube, push on the fittings' collar and pull the tube out.
- (I) Holding the faucet, feed the three tubes through the hole in the sink. Position the faucet handle at a desired location
 - (J) Center the faucet and slip slotted disc between the white extension and the bottom of the counter or sink. Tighten the stem nut with a wrench until it is tight.
 - (K) Firmly insert goose-neck spout into faucet base.

4. Installing the Drain Clamp

NOTE: If you have a single-basin sink with a disposal unit, call Technical Support for options.

NOTE: Before installing the drain clamp, check the drainpipes under the sink



for corrosion. Corroded pipes should be replaced before continuing with installation.

- (A) Attach the drain clamp to a vertical section of the drainpipe, about 6 inches above the trap. Make sure the opening on the drain clamp is facing towards the drinking water faucet (see diagram on previous page).
- (B) Using the fitting hole of the drain clamp as a guide, drill a 1/4-inch hole through one side of the drainpipe.
- (C) Remove the drain clamp from the drainpipe and enlarge the hole with a 3/8-inch drill bit. Use a file to remove rough edges from the drilled hole.
- (D) Make sure the black rubber gasket is adhered to the inside of the drain clamp and place the drain clamp assembly over the drilled hole. Look through the hole and position the clamp so that the center of the clamp hole is slightly higher (about 1/16-inch) than the center of the drilled hole. Tighten the clamp securely.
- (E) Screw the plastic compression nut onto the drain clamp until hand-tight.

5. Connecting the Faucet to the Drain

CAUTION: This is a gravity drain line. Any loops, kinks or sharp bends must be eliminated before proceeding. Failure to create a straight line to the drain may result in reject water leaking through the air gap in the faucet onto the countertop and below the faucet.

- (A) Align the larger reject (3/8-inch) tubing from the faucet with the compression nut on the drain clamp. Create as straight a path as possible with the tubing. Do not kink tube. Cut the tubing squarely below the nut and remove the internal and external burrs.
- (B) Loosen the compression nut two complete turns. Insert the tubing into the nut until it stops. Tighten with fingers, then tighten 1 to 2 turns with a wrench.

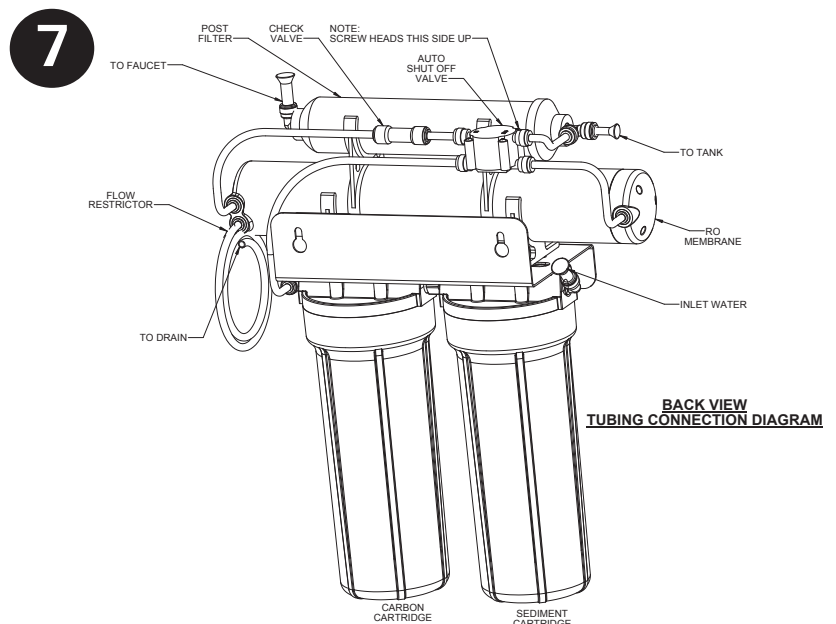
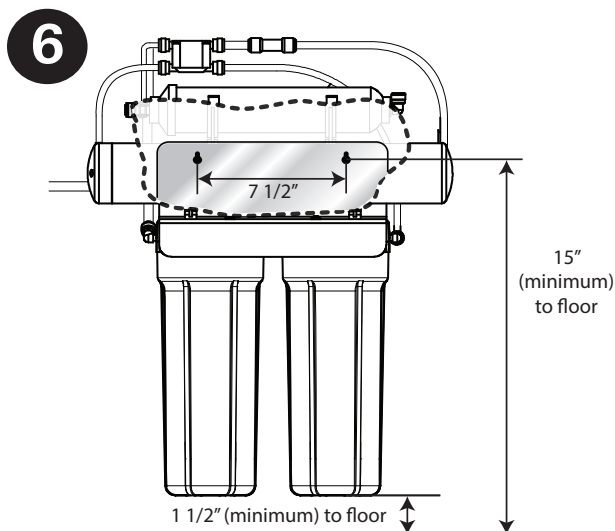
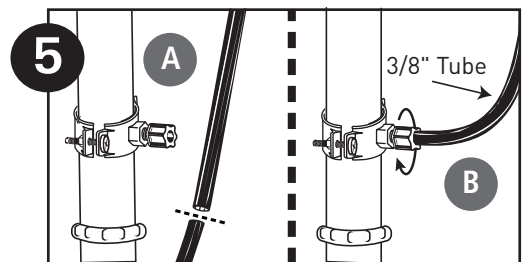
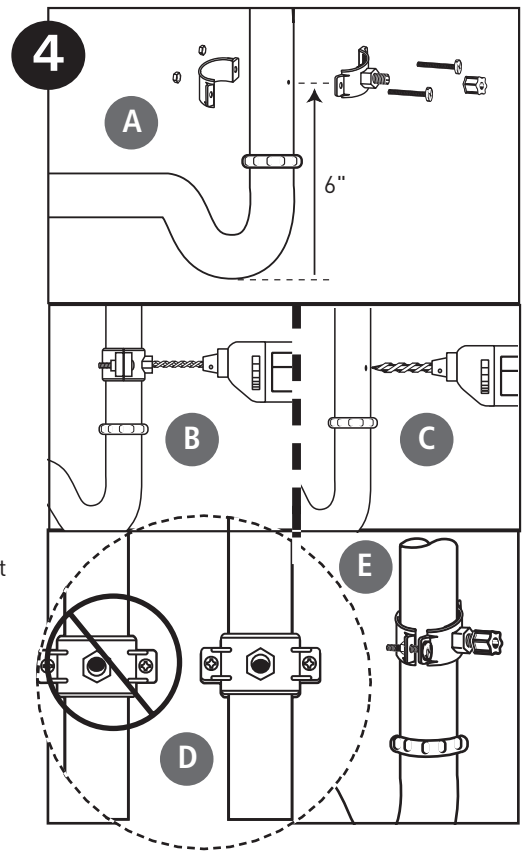
6. Installation of Mounting Screws

- (A) If system is being installed under the kitchen sink, locate it on back or right wall. Make sure to allow ample space for installation. To change the filter cartridges, a minimum of 1-1/2 inches of clearance is required underneath the filter housings. A minimum of 2 inches of clearance from the left side of the unit is also required or 5 inches from the left bracket mounting screw hole.
- (B) Install mounting screws at least 15 inches from cabinet floor and 7 1/2-inches apart. Leave a 5/16-inch space between the head of the screw and the wall to slip bracket onto screws.

NOTE: Each connection fitting on the RO Assembly has a plug that must be removed before inserting tubing. Push in on the collar and pull the plug out.

7. Connecting the Faucet to the System

- (A) The faucet tube from the bottom of the threaded metal tube is inserted into the post filter. The fitting is at the top right of the RO System. Push the free end of the tubing into the quick connect fitting.



**BACK VIEW
TUBING CONNECTION DIAGRAM**

INSTALLATION CONTINUED...

8. Connecting the Storage Tank to the System

CAUTION: When tank is full, it weighs approximately 28.5 lbs. (12.9 kg) Provide ample support under the tank.

(A) To prevent leaks, apply 3 or more wraps of plumber tape to threads on tank. Thread the tank valve onto the top of the tank opening. Turn tank so handle is in line with tubing.

CAUTION: The tank/valve connection will leak if not properly sealed. Plumber tape will normally seal the threaded connection.

(B) Locate the remaining length of 1/4-inch tubing. Place a mark on the tubing 5/8-inch from one end. Moisten the marked end of the tubing with water and insert with a twisting motion into the port of the tank valve until the 5/8-inch mark is flush with the quick connect fitting. Then locate the tank near the system's installation area.

(C) Cut the tubing to correct length. Install free end of tubing into white quick-connect fitting on the post filter tee on the left side. Ensure the tubing does not kink.

(D) Place entire system over mounting screws on wall and slide down.

CAUTION: Make certain system is firmly attached to wall to prevent it from falling and possibly becoming damaged.

NOTE: Use caution not to bend or pinch the tubing behind the system while attaching to mounting screws.

9. Connecting the System to the Water Supply Adapter

(A) Locate remaining length of 1/4-inch plastic tubing.

(B) Place a mark on the tubing 5/8-inch from the end. Moisten the end of the tubing with water and insert with a twisting motion push into quick connect fitting on the left side of system. Depending on the installation, the system may need to be removed from the mounting surface to access the left side of the system.

(C) Cut the tube to a length that will allow connection to the Water Supply Adapter. Ensure the tubing does not kink. Place a mark on the tubing 5/8-inch from the end. Moisten the end of the tubing with water and insert with a twisting motion push into quick connect fitting on the Water Supply Adapter.

10. Faucet Operation

(A) For controlled water flow, push the handle down.

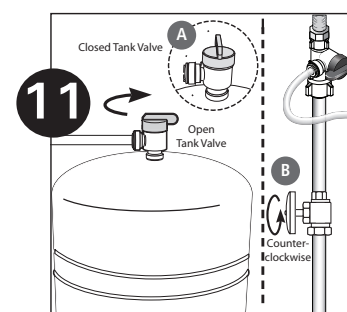
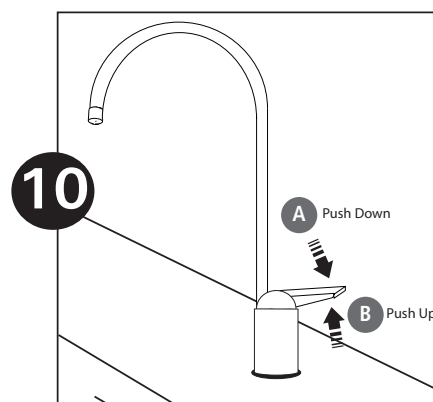
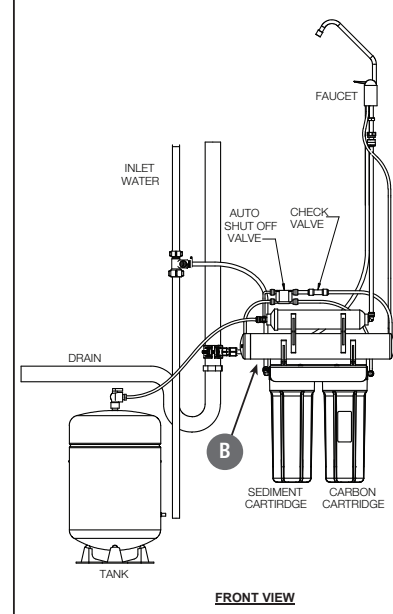
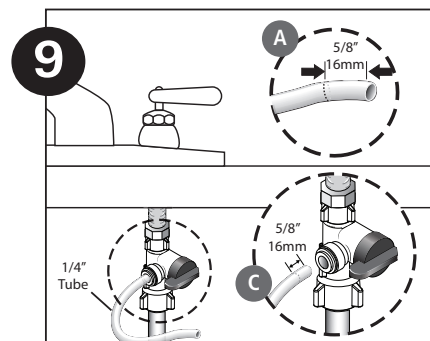
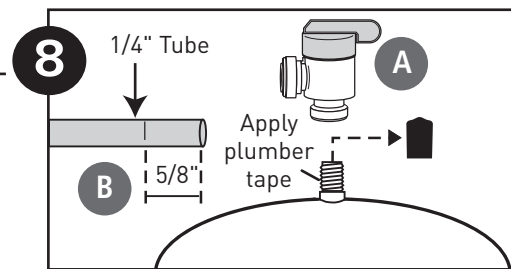
(B) For constant water flow, lift the faucet handle to lock it in the open position.

11. System Start-up

NOTE: The reverse osmosis membrane is treated with a food grade sanitizing agent that may cause an undesirable taste. Although it is not harmful, it should be flushed from the system.

NOTE: The post-polishing filter may contain fine black carbon particles. These fines are harmless, but may make the water appear gray in color. The carbon fines are flushed from the system with the first tank full of water.

NOTE: The RO system does not produce a high volume of water on demand as an ordinary filter does. Water is produced at a slow, drop-by-drop rate. The system requires about 2 to 4 hours to fill the storage tank. As water is taken from the tank, the system automatically starts the cycle of replacing the water and then stops water production when the tank is full.

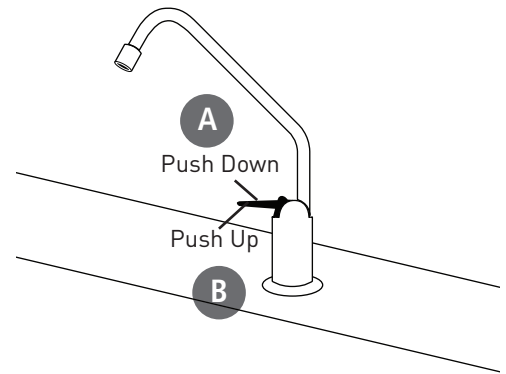


CAUTION: Visually check the entire system for leaks. If a leak is present, see Troubleshooting on page 12.

- (A) Turn off valve at top of storage tank.
- (B) Turn on the cold water supply, and ensure the supply adapter valve is open.
- (C) Lift the faucet handle to lock it in the open position and let it drip for 30 min.
- (D) Completely open the cold water supply until it comes to a stop. Allow water to drip from the faucet for 12 more hours. Then close the faucet and open the valve on the storage tank. The tank valve is open when the handle lines up with the tubing connection.
- (E) Allow 3 hours for the tank to fill. Continue to periodically check the installation for leaks. After the storage tank is filled, open the faucet to flush the post-filter cartridge. Allow 4 to 5 minutes for all of the water to drain from the tank. Close faucet and allow tank to fill.
- (F) Repeat step E four times.

NOTE: Initially, the water may appear cloudy. This is a result of air trapped in the post-polishing filter. It is not harmful and will disappear in a matter of minutes. It may take up to a week after installing a new post-polishing filter for the trapped air to dissipate.

The system is ready for operation. You can now enjoy quality water from your Reverse Osmosis System.



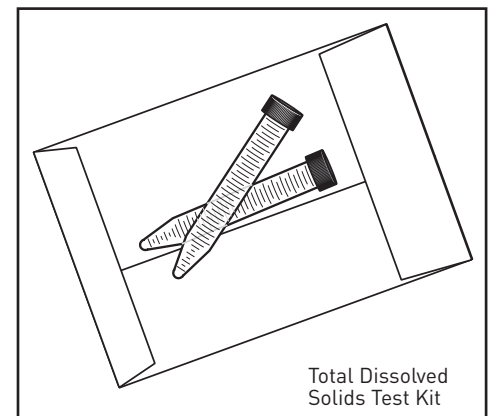
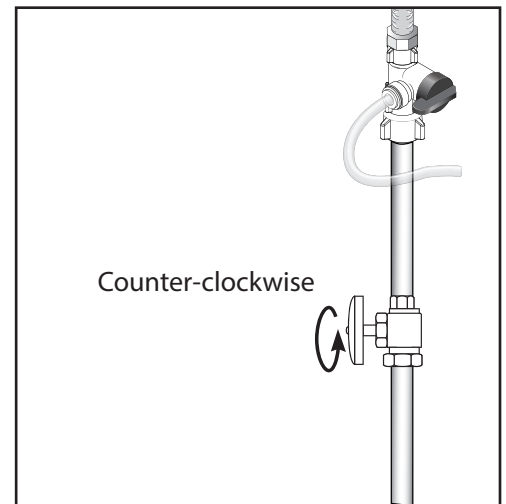
TESTING YOUR REVERSE OSMOSIS SYSTEM

Model GRO-2550 Reverse Osmosis System Total Dissolved Solids (TDS) Test

NOTE: It is highly recommended that you (the consumer) have your water tested at least every 6 months to verify that your system is performing satisfactorily.

SAMPLING INSTRUCTIONS:

Sampling instructions are included with the Total Dissolved Solids (TDS) Test Kit.



OPTIONAL INSTALLATION

Connecting your Reverse Osmosis System to Refrigerator Icemaker / Water Dispenser

CAUTION: If you are connecting this unit to your refrigerator/icemaker with initial RO installation, wait to turn on the icemaker until the post-polishing filter has been flushed according to Step 11.

CAUTION: Use plastic tubing and fittings. Do not use copper tubing or brass fittings.

NOTE: For optimum performance, it is recommended that the distance between the RO system and the refrigerator icemaker/water dispenser be no greater than 10 feet (3 m). At distances greater than 10 feet, the water pressure from the system may not be adequate to deliver water to the refrigerator.

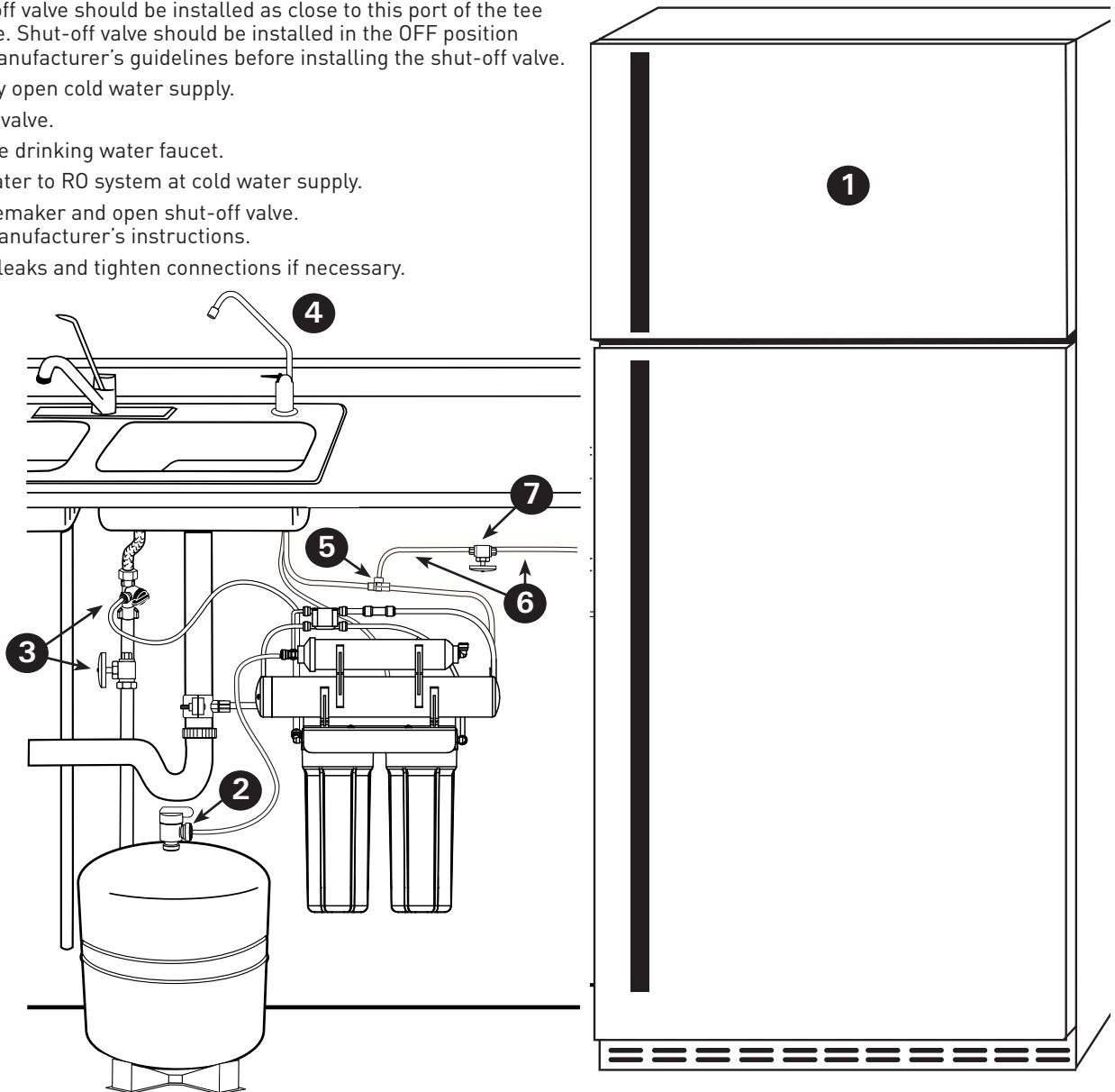
MATERIALS REQUIRED (available from your local hardware store):

- 3/8-inch x 3/8-inch x 3/8-inch (0.952 cm x 0.952 cm x 0.952 cm) compression or quick-connect tee
- 10 feet (3 m) of 3/8-inch (0.952 cm) polyethylene tubing
- Shut-off valve

1. Turn off refrigerator water supply and icemaker (consult manufacturer's guidelines).
2. Close tank valve (on top of storage tank).
3. Turn off water to RO system at the cold water supply, or at the feed water supply adapter.
4. Open drinking water faucet to relieve pressure.
5. Locate tubing (permeate) leading to your drinking water faucet. Cut and insert the 3/8-inch x 3/8-inch x 3/8-inch compression or quick-connect tee into the permeate tubing. Consult manufacturer's guidelines before installing the supply adapter.

NOTE: When cutting the permeate tubing, you may experience some water leakage.

6. Using a length of 3/8-inch polyethylene tubing, connect the icemaker/dispenser line with the free port on the compression tee.
7. The shut-off valve should be installed as close to this port of the tee as possible. Shut-off valve should be installed in the OFF position. Consult manufacturer's guidelines before installing the shut-off valve.
8. Completely open cold water supply.
9. Open tank valve.
10. Turn off the drinking water faucet.
11. Turn on water to RO system at cold water supply.
12. Turn on icemaker and open shut-off valve. Consult manufacturer's instructions.
13. Check for leaks and tighten connections if necessary.

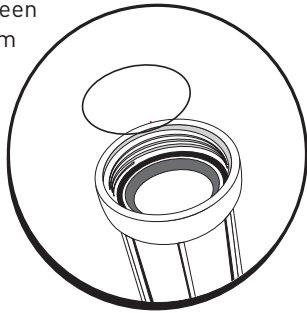


REPLACING THE PRE-FILTER AND POST-FILTER CARTRIDGES

1st Stage Pre-Filter and 2nd Stage Pre-Filter Cartridges:
The cartridge should be replaced every 6-12 months. If your water contains a high amount of sediment, it may be necessary to change the 1st stage cartridge more frequently. If your water contains a high amount of chlorine, it may be necessary to change the 2nd stage pre-filter more often.

1. Turn off incoming water supply and valve on the storage tank. Place a tray under the system to catch any water that spills during removal of the filter housings.
2. Open faucet to release pressure.
3. Unscrew bottom of filter housings from caps. Use the filter wrench. Discard used cartridges.
4. Remove black rubber O-rings from grooves in housings. Wipe grooves and O-rings clean; set O-rings aside.
5. Rinse out housings and fill each 1/3 with water. Add 2 tablespoons of bleach and scrub with non-abrasive brush or sponge. Rinse thoroughly.
6. Lubricate each O-ring with a coating of clean silicone grease. With two fingers, press each O-ring securely into groove below the threads of the appropriate housing.

CAUTION: The rubber O-ring provides the water-tight seal between the cap and the bottom of the housing. It is important that the O-ring be properly seated in the groove of the housing or a water leak could occur.



7. Insert cartridges in the bottom of the housings. Make sure cartridge slips over standpipe in the bottom of the housing.
- NOTE:** Be sure to install cartridges in proper housings (see diagram below).
8. Screw bottoms of housings back onto caps securely; do not over-tighten. Turn on cold water supply. Check for leaks. Continue to check periodically to make sure no leaks develop.

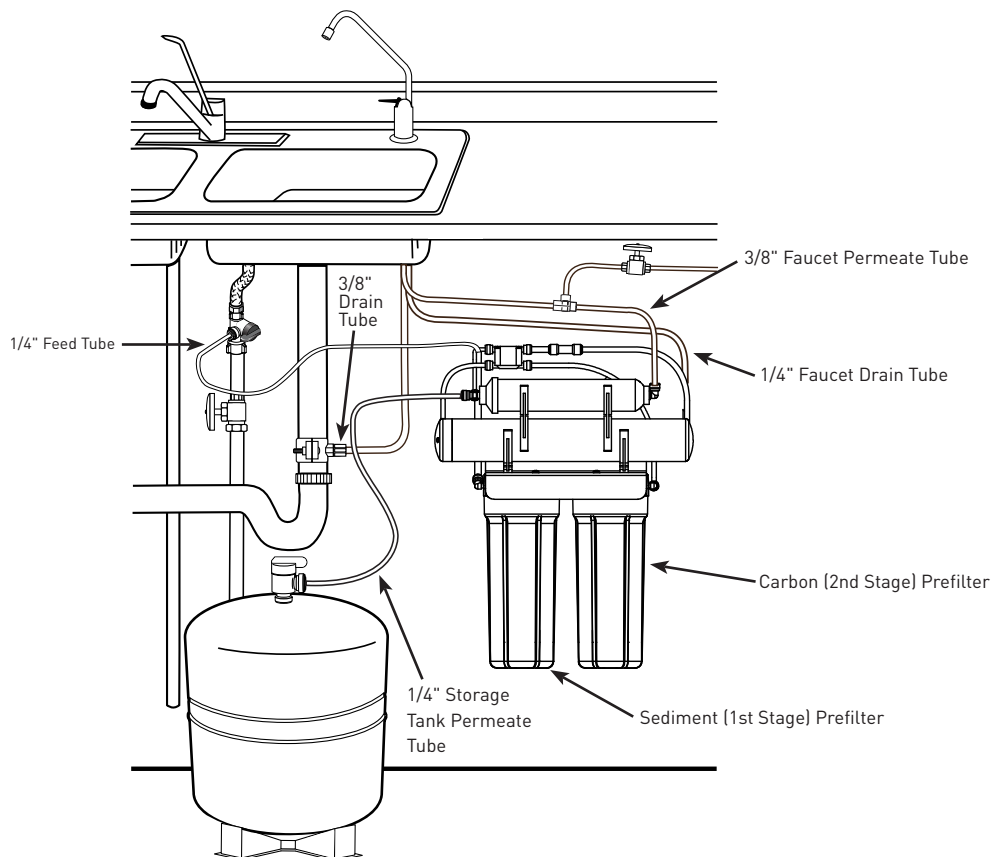
4th Stage Post-Filter Cartridge: post-filter should be replaced every twelve months.

1. Turn off incoming water supply and valve on the storage tank. Place a tray under the system to catch any water that spills during removal of the filter housings.
 2. Open faucet to release pressure.
 3. Remove filter from bracket and discard.
 4. Remove tubes from fittings by pressing in collar around the fitting while pulling the tubing out with your other hand.
- NOTE:** If quick connect fittings need to be installed, tape threads of fittings with 3 wraps of plumber tape and attach to filter.

CAUTION: Ensure the tape is not touching O-ring on the fitting or a leak may occur.

NOTE: The filter has an arrow on it showing the direction of flow. The tee fitting connects to the inlet side of the filter and the elbow fitting attaches to the outlet side.

- NOTE:** Hand tighten fittings, then tighten with wrench 1/4 turn.
5. Attach 4th stage filter to bracket with the tee fitting on the right hand side.
 6. Attach tubes to fittings by pushing in until the tube stops. Check to see if tube is in place by trying to gently pull tube out.



REPLACING THE 3RD STAGE REVERSE OSMOSIS MEMBRANE

About the Reverse Osmosis Membrane

When used under operating conditions specified on page 3 of the manual, your reverse osmosis membrane should last at least one year. You should replace the membrane after 18 to 24 months. Replace it sooner if you notice a return of unpleasant tastes or odors or a noticeable decline in water production. The precise life span of your system's membrane will depend on the quality of the water entering the system and the frequency with which you use it. Frequent system use prevents the filtered salts and minerals from building up on the membrane as scale. The more water the system is required to produce, the longer the membrane will last. You may wish to find a variety of uses for your system in order to prolong the life of the membrane.

NOTE: If system stands for more than 2 to 3 days without being used, the storage tank should be emptied.

Replacing the Membrane and Filters

NOTE: When installing a new GRO membrane element and flow control, it is recommended that you replace the pre-filter and post-filter cartridges as well.

1. Turn off the cold water supply. Allow five minutes for system to depressurize.
Place a tray under the system to catch any water that spills during removal of the filter housings.
2. Open drinking water faucet to drain tank. When tank is drained, close faucet.
3. Disconnect the tubing connections from the GRO element. Install the new GRO element, permeate checkvalve, and capillary reject flow controller.
4. Unscrew filter housings from caps and discard used cartridges.
5. Remove black rubber O-rings from grooves in housings. Wipe grooves and O rings clean. To replace the filters, see Replacing the Pre-Filters and Post-Filter on page 10.
6. Lubricate O-rings with a coating of clean silicone grease. With two fingers, press each O-ring securely into groove below the threads of the appropriate housing.

CAUTION: The rubber O-ring provides the water-tight seal between the cap and the bottom of the housing. It is important that the O-ring be properly seated in the groove below the threads of the housing or a water leak could occur.

NOTE: After installing new GRO element, flow control, and cartridges, allow system to run for 3 hours to fill tank. Check for leaks every hour. As pressure builds in tank, leaks may occur that did not exist directly after installation. When the RO element and cartridges have been changed, follow the system start-up procedure in Step 11: System Start-up.

Sanitization Procedure

1. Turn off the water supply to the RO system and open the RO faucet to drain the storage tank.
2. Disconnect the tube from the shut off valve on the storage tank.
3. Using a clean eye dropper, insert 1/2 teaspoon of common household bleach into the blue tube. This will flow into the tank once water is turned back on to unit. Reattach tube to the shut off valve on the storage tank. Follow start up procedure.

TROUBLESHOOTING GUIDE

Leaks between bottom of housing and cap

1. Ensure sump is tightly screwed to cap. If it still leaks close the cold water supply and tank valves.
 2. Clean black rubber O-ring and lubricate with clean silicone grease. With two fingers, insert O-ring in groove below threads of housing and press into place. Tighten housing back onto cap.
 3. Open the cold water supply and tank valve.
- If leaks persist, call Technical Support.

Leaks on tank valve assembly

1. Open drinking water faucet to drain storage tank. Let drinking water faucet run until it drips. Turn off cold water supply.
2. Push in on white collar of tank valve fitting and pull out tubing. Unscrew the tank valve from the storage tank. Rewrap threads on top of the tank with plumber tape. Screw tank valve back onto tank. Trim 1/2-inch from end of tubing and reinsert 5/8-inch into tank valve fitting.
3. Open the cold water supply and shut off the reverse osmosis faucet. Let the system pressurize for several hours and check for leaks. Check again after tank is fully pressurized.

Leaks on quick-connect fittings

1. Close the cold water supply and tank valve.
2. Depress plastic collar and pull out tubing.
3. Cut off 1 inch of tubing and place a mark 5/8-inch from end of tubing. Tubing should be cut squarely. The internal and external burrs should be removed.
4. Push tubing 5/8-inch into fitting.
5. Open the cold water supply and tank valve. If leaks persist, call Technical Support.

No flow or slow flow from the brine (drain) line

Less than 1½ cups per minute

NOTE: Before checking brine (or reject) flow, make sure the system is producing water by turning off the valve on the storage tank and opening the faucet. Water should drip from faucet.

1. Examine the pre-filters. If clogged, replace (see Replacing the Pre-Filters and Post-Filter on page 10) and recheck the brine (or reject) flow rate.
2. If the pre-filters are not at fault, the brine (or drain) flow controller is probably clogged. Call Technical Support.

High TDS in Product Water

If high levels of TDS (Total Dissolved Solids) are detected in your product water (approximately 30% or greater of what is measured in your tap water, as determined with a conductivity meter or by the supplied TDS Test Kit), the GRO membrane element may need to be replaced, or the brine (or drain) flow control tubing may be clogged. See your dealer or plumber to check product water TDS.

Reduced production

Slow or no product water flow usually indicates either a clogged pre-filter or an exhausted membrane. First, replace the pre-filters. If the production rate is not improved, replace membrane.

Gradual return of taste and odor

Gradual return of unpleasant taste and odor over a period of time may indicate that your filter cartridges and/or RO membrane need to be replaced. See Replacing the Pre-Filters on page 10 and Replacing the Reverse Osmosis Membrane on page 11.

Sudden return of taste and odor

If shortly after complete servicing noticeable taste and odors return contact Technical Support.

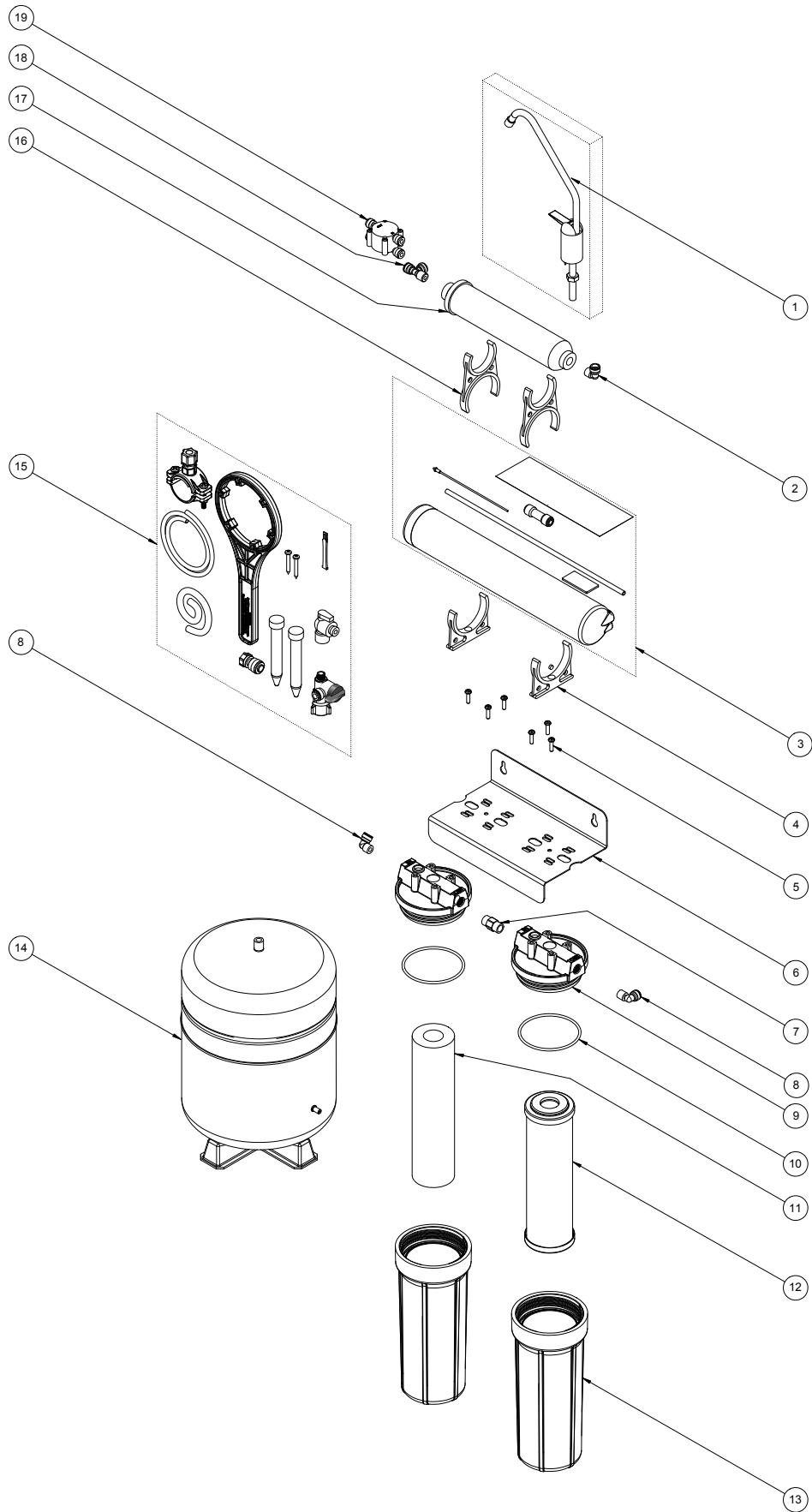
No water pressure from the drinking water faucet or low volume in storage tank

1. Close the cold water supply to system.
2. Lift storage tank to see if it is empty. If not, open the drinking water faucet to empty water from tank.

NOTE: It may be necessary to pump a small amount of air into the tank with a bicycle pump to remove all the water from the tank.

3. When tank is empty, use a pressure gauge to check tank pressure. An empty tank should contain 5 to 7 psi pressure. Increase or decrease the air pressure in the tank accordingly.
4. Open cold water supply. Let system run for 3 hours to fill tank, then check system performance. If performance has not improved, call Technical Support.

PARTS GUIDE



For replacement parts, contact your nearest Water Filter dealer or call **800.279.9404**

PARTS GUIDE CONTINUED . . .

ITEM NO.	PART NO.	DESCRIPTION	QTY
1	244820	FAUCET	1
2	244834	ELBOW, 3/8" TUBING QUICK CONNECT	1
3	4004424	STAGE 3, GRO-EN W/DLFC	1
4	BPRO-50-S17	CLIP, SINGLE	2
5	PW-80-09	BRACKET SCREW	6
6	244784	BRACKET, STEEL	1
7	244791	NIPPLE, 1/4" NPT X 1/4" NPT	1
8	244788	ELBOW, 1/4" TUBING QUICK CONNECT	2
9	154062	CAP, SL, 1/4" NPT	2
10	143026	O-RING, SUMP	2
11	155014-43	STAGE 1, SEDIMENT PRE-FILTER, 5 MICRON	1
12	155634-43	STAGE 2, CARBON BLOCK PRE-FILTER	1
13	153049	#10 SUMP, WHITE	2
14	244833	RO STORAGE TANK	1
15	244982	INSTALLATION KIT, GRO SYSTEM	1
16	BPRO-50-S18	CLIP, DOUBLE	2
17	255521-43	STAGE 4, GAC POST FILTER	1
18	244790	TEE, 1/4" NPT X 1/4" TUBING QUICK CONNECT	1
19	244787	VALVE, AUTO SHUT-OFF	1

Buyer

Seller

Date

PERFORMANCE DATA

IMPORTANT:

Read this performance data and compare the capabilities of this system with your actual water treatment needs.

It is recommended that before installing a water treatment system, you have your water supply tested to determine your actual water treatment needs.

This system has been tested according to NSF/ANSI 58 for the reduction of substances listed below. The concentration of the indicated substances in water entering the system was reduced to a concentration less than or equal to the permissible limit for water leaving the system as specified in NSF/ANSI 58.

WARNING: Do not use with water that is microbiologically unsafe or of unknown quality without adequate disinfection before or after the system. Systems certified for cyst reduction may be used on disinfected waters that may contain filterable cysts.

NOTE: Substances reduced are not necessarily in your water. Filter must be maintained according to manufacturer's instructions, including replacement of filter cartridges.

The tested efficiency rating for these systems is 15.39%. Efficiency rating means the percentage of the influent water to the system that is available to the user as reverse osmosis treated water under operating conditions that approximate typical daily usage.

The tested recovery rating is 31.76%. Recovery rating means the percentage of the influent water to the membrane portion of the system that is available to the user as reverse osmosis treated water when the system is operated without a storage tank or when the storage tank is bypassed.

EPA # 082989-CHN-001

System Production Rate: 10.09 gpd (38.19 Lpd)
 Recovery Rating: 31.76%
 Efficiency Rating: 15.39%
 TDS Rejection: 96.8%



System Tested and Certified by NSF International against NSF/ANSI Standard 58 and CSA B483.1 for the reduction of the claims specified on the Performance Data Sheet.

GRO-2550 SYSTEM INSTALLED WITH P5, EPM-10, GRO-50EN, GS-10R0 FILTER CARTRIDGES

Model GRO-2550

Substance	Influent Challenge Concentration	Max Permissible Product Water Concentration	Reduction Requirements	Average Reduction
Standard 58				
Total Dissolved Solids	750 ± 40 mg/L	187 mg/L		96.8%
Cysts*	Minimum 50,000/mL		99.95%	>99.99%

*NSF/ANSI Standard 58 certified to reduce cysts such as *Cryptosporidium* and *Giardia* by mechanical means.

IMPORTANTE: Antes de instalar este sistema de ósmosis inversa, asegúrese de que el suministro de agua cumpla con las siguientes especificaciones de funcionamiento. No cumplir con las especificaciones puede reducir la efectividad del sistema y anulará la garantía.

ESPECIFICACIONES

Membrana de película delgada:	GRO- 50EN
Presión del agua de alimentación:	40 a 100 psi (2.75 a 6.9 bares)
Gama de Temperatura:	40 a 100°F (4.4 a 37.7°C)
Sólidos disueltos totales:	2000 ppm
Dureza máxima [†] :	10 gpg (171 mg/L)
Sulfuro, hierro y manganeso [‡] :	<0.1 ppm
Cloro en el suministro de agua:	Menos de 2 ppm
Límites de pH:	3-11

[†]Si la dureza del agua sobrepasa los 10 gpg (171 mg/L), se acumulará sarro rápidamente en la membrana. La acumulación del sarro tapaná la membrana y hará que el sistema sea ineficaz. No se recomienda el uso de estos sistemas de ósmosis inversa en aguas con dureza superior a 10 gpg (171 mg/L).

[‡]Se permite un nivel máximo total de aproximadamente 0.01 ppm de sulfuro, hierro o manganeso. Consulte con su representante local para reducir estas sustancias en el agua.

PIEZAS INCLUIDAS: (VEA EL DIAGRAMA EN LA PARTE POSTERIOR DEL MANUAL)

Sistema de filtro previamente ensamblado (soporte de montaje, elemento de la membrana encapsulado, carcasas pre y postfiltro y cartuchos pre y postfiltro).

- Tanque de almacenamiento
- Adaptador de suministro de entrada
- Abrazadera de drenaje
- Tubería de 1/4 pulg.
- Válvula del tanque
- Llave cromada
- Tubería de alimentación
- Llave para desagüe
- Tubería de 3/8 pulg.

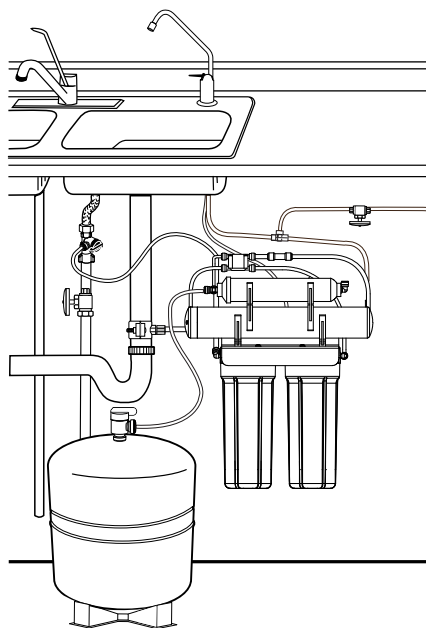
Herramientas y materiales requeridos

- Taladro de mano o eléctrico (se prefiere inalámbrico)
- 2 llaves inglesas
- Destornilladores planos y Phillips
- Lima
- Gafas de seguridad
- Brocas: 1/8", 3/16", 1/4", 3/8"

Si el fregadero no tiene orificio para una llave separada:

- Punzón
- Disco de esmeril de forma cónica
- Broca común o broca hueca cilíndrica de 1-1/4"
- Máscara de seguridad

NOTA: Es posible que no necesite todas las herramientas para la instalación. Lea los procedimientos de instalación antes de comenzar para determinar qué herramientas son necesarias.



DIMENSIONES DEL SISTEMA:

Dimensiones totales: 15" ancho x 5½" prof. x 17¼" alto
(38.1 cm ancho x 12.7 cm prof x 43.8 cm alto)

Peso: 18 lbs. (8.16 kg)

Dimensiones del tanque: 13½" ancho x 9" prof. x 9" alto
(34.29 cm ancho x 22.86 cm prof. x 22.86 cm alto)

Capacidad máxima del tanque: 2.8 gal. (10.6 L)

Presión de aire del tanque vacío: 5 a 7 psi (0.34 to 0.48 bar)

Peso del tanque (lleno): 28.5 lbs. (12.9 kg)

CÓMO FUNCIONA LA ÓSMOSIS INVERSA

El sistema de ósmosis inversa (RO) GRO-2550 utiliza una membrana semipermeable para reducir las sales y los minerales disueltos, y así mejorar el gusto y olor de su agua. La membrana de ósmosis inversa está hecha con una película micro delgada envuelta alrededor de un núcleo central hueco. Las moléculas de agua pueden pasar a través de la membrana, pero se rechazan las sales y minerales disueltos.

El sistema de ósmosis inversa GRO-2550 cuenta con una acción de filtro de 4 etapas. Su suministro de agua se prefiltra para reducir la suciedad y el cloro que pueden contaminar la membrana. La membrana de ósmosis inversa separa esta agua prefiltrada en AGUA DE PRODUCTO y AGUA RECHAZADA o DE DESAGÜE. La presión del suministro de agua provoca que el agua de producto pase a través de la membrana y entre al tanque de almacenamiento. Los sólidos disueltos y otros contaminantes no pueden pasar a través de la membrana y son enviados al desagüe como agua rechazada. Cuando abre la llave de agua potable, el agua de producto se extrae del tanque de almacenamiento a través de un posfiltro de carbón activado, brindando así agua más limpia y con mejor sabor.

Por cada litro de agua producida, varios litros se desechan como agua rechazada. El tanque de almacenamiento puede almacenar hasta 2.8 galones (10.6 litros) por vez, para beber y cocinar. Cuando se usan según las Especificaciones de la página 16 del manual, las membranas de ósmosis inversa deberían durar de 12 a 24 meses.

ADVERTENCIA RELACIONADA CON LA PROPUESTA 65 DE CALIFORNIA

⚠ ADVERTENCIA: Este producto contiene productos químicos de los cuales el estado de California sabe causan cáncer o anomalías congénitas u otros daños reproductivos.

PRECAUCIONES

GENERAL

⚠ ADVERTENCIA: No se debe utilizar con agua microbiológicamente insegura o de calidad desconocida sin la desinfección adecuada previa o posterior al paso por el sistema. Los sistemas certificados para la reducción de quistes pueden usarse en aguas desinfectadas que pudieran contener quistes filtrables.

*Con certificado de la Norma 58 de NSF/ANSI para reducir los quistes como *Cryptosporidium* y *Giardia* por medios mecánicos

PRECAUCIÓN Se debe proteger el filtro contra el congelamiento para evitar la rotura del filtro y fugas de agua.

PRECAUCIÓN Debido a la vida útil limitada del producto y para evitar reparaciones costosas o posibles daños provocados por el agua, recomendamos encarecidamente que se reemplace la base de todas las carcasas de plástico transparente cada cinco años y cada diez años las de plástico opaco. Si el fondo de la carcasa ha estado en uso un tiempo mayor que este período, debe reemplazarse inmediatamente. Anote en el fondo de toda carcasa nueva o de repuesto la fecha para indicar la próxima fecha recomendada de reemplazo.

NOTA:

- El agua debe estar dentro de los límites requeridos para un funcionamiento satisfactorio. De lo contrario, la vida de la membrana se acortará y se anulará su garantía (ver Especificaciones en la página 16).
- Este sistema de ósmosis inversa no protege de bacterias causantes de enfermedades ni remueve bacterias inofensivas que están presentes en forma natural.
- Instale solo en la línea de agua fría.
- No use mecha o sellador para colocar las conexiones dentro de la tapa del filtro. Se recomienda cinta de teflón
- Asegúrese de que la instalación cumpla con todas las leyes y normas estatales y locales.
- Los cartuchos de repuesto y el elemento de ósmosis inversa incluidos en este sistema tienen una vida útil limitada. Los cambios en el gusto, olor, y color del agua filtrada indican que se debe reemplazar el cartucho (ver Reemplazo de los cartuchos de prefiltro y posfiltro en la página 22, y Reemplazo del elemento de ósmosis en la página 23).
- Luego de períodos prolongados sin uso, como por ejemplo durante las vacaciones, se recomienda enjuagar el sistema durante 5 minutos antes de ser usado.

Los cartuchos para agua potable pueden contener finos de carbón (polvo negro muy fino). Después de la instalación, enjuague el sistema durante 5 minutos para eliminar los finos de carbón antes de utilizar el agua.

- Se recomienda dejar correr el agua durante al menos 20 segundos antes de utilizar el agua para beber o cocinar.
- Las sustancias contaminantes que este dispositivo de tratamiento de agua elimina o reduce no están necesariamente presentes en el agua que usted consume.

PRECAUCIONES CON LA MEMBRANA DE ÓSMOSIS INVERSA

PRECAUCIÓN El cloro destruirá el elemento de ósmosis inversa del GRO-EN. Si usted usa el GRO-2550 con un suministro de agua clorada o periódicamente clorada, es **ABSOLUTAMENTE NECESARIO** usar un prefiltro de carbón (incluido con el sistema). El prefiltro de carbón se deberá cambiar al menos cada -12 meses para evitar que el cloro pase. Vea la Garantía para leer las declinaciones y limitaciones que se aplican a la membrana GRO-50EN.

NOTA:

- Para asegurarse de que no haya cloro presente en el agua que llega a la membrana, es posible que quiera usar un kit de prueba de cloro para comprobar la salmuera o el agua rechazada que fluye de la membrana al desagüe. No se deberá detectar cloro.
- El elemento GRO-50EN es resistente a las bacterias que están presentes en forma natural.

PAUTAS BÁSICAS DEL PROCEDIMIENTO DE INSTALACIÓN

- Para una instalación normal bajo el fregadero en tuberías de agua fría de acero, latón o cobre de 3/8" (10 mm).
- Lea todas las instrucciones y precauciones antes de instalar y usar su GRO-2550.
- Los diagramas numerados corresponden a los pasos numerados.

INSTALACIÓN

- Lea todas las instrucciones de instalación y operación antes de instalar y utilizar su sistema de ósmosis inversa.
- Los diagramas numerados corresponden a los pasos numerados

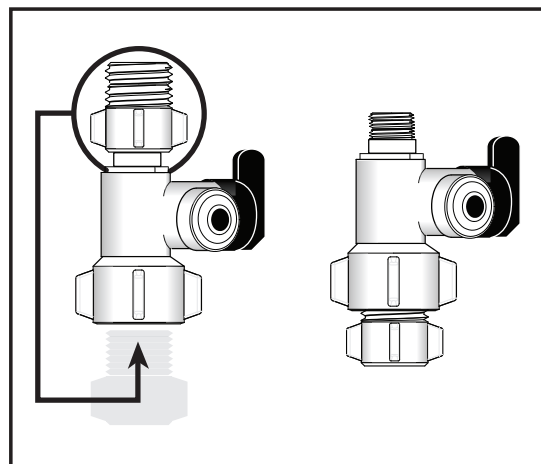
1. Cómo instalar el adaptador de suministro de agua

El adaptador de suministro es para roscas 1/2"-14 NPS o de compresión de 3/8" x 3/8". Si los códigos locales lo permiten, puede utilizarse para conectar el sistema a la tubería de agua fría. Si los códigos locales no permiten el uso del adaptador de suministro, sus proveedores locales pueden facilitarles conectores alternativos.

Instrucciones:

- (A)** Cierre la tubería de suministro de agua fría. Si la tubería de agua fría no tiene una válvula de cierre bajo el fregadero, deberá instalar una.
- (B)** Abra la llave de agua fría y permita que se desagüe toda el agua de la tubería.
- (C)** Desconecte la válvula de suministro de agua fría del tubo vertical.
- (D)** Asegúrese de que la junta selladora esté completamente asentada en la rosca hembra de la válvula del adaptador de alimentación.
- (E)** Instale la válvula del adaptador de alimentación sobre la válvula de suministro en la forma deseada. La válvula del adaptador de alimentación se puede instalar en la parte inferior de la manguera de suministro o en la parte superior de la tubería de agua fría. Apretete a mano exclusivamente.
- (F)** Conecte el tubo vertical a la válvula del adaptador de alimentación.

NOTA: Tenga cuidado de no trasroscar.



INSTALACIÓN CONTINUACIÓN . . .

2. Selección de la ubicación de la llave de agua

Se debe prever la funcionalidad, la conveniencia y el aspecto de la llave de agua potable antes de su colocación. Se necesita una superficie plana adecuada de modo que la base de la llave de agua se asiente firmemente. La llave encaja en un orificio de 1/4". La mayoría de los fregaderos tienen orificios de 1/2" o 3/8" de diámetro previamente perforados diseñados para mangueras rociadoras. La llave de agua potable se puede instalar usando uno de estos orificios, a pesar de su tamaño mayor. Si no se pueden usar estos orificios o están en una ubicación inconveniente, será necesario perforar un orificio de 1-1/4" de diámetro en el fregadero o a través de la cubierta junto al fregadero para la llave.

PRECAUCIÓN Este procedimiento puede producir polvos que pueden causar una irritación grave si se aspiran o entran en contacto con los ojos. Se recomienda llevar anteojos de seguridad y una máscara de seguridad durante este procedimiento.

PRECAUCIÓN No trate de perforar un fregadero hecho totalmente de porcelana o recubierto de porcelana. Para aplicaciones en estos tipos de fregaderos recomendamos usar el orificio rociador o montar la llave a través de la cubierta.

PRECAUCIÓN Cuando perfora a través de la cubierta asegúrese de que no haya cables ni tuberías debajo del área donde se hará la perforación. Asegúrese de que haya un amplio espacio para hacer las conexiones adecuadas en la parte inferior de la llave de agua.

PRECAUCIÓN No perfora a través de una cubierta de un espesor mayor a 1 pulg.

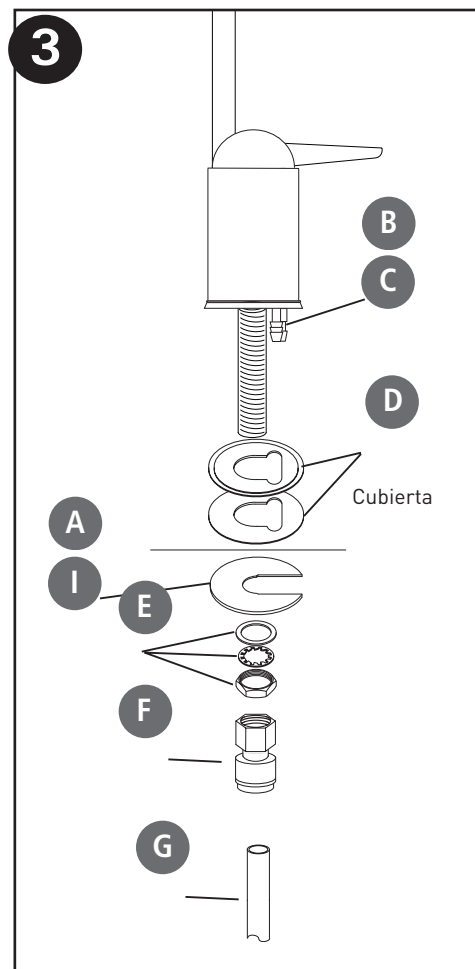
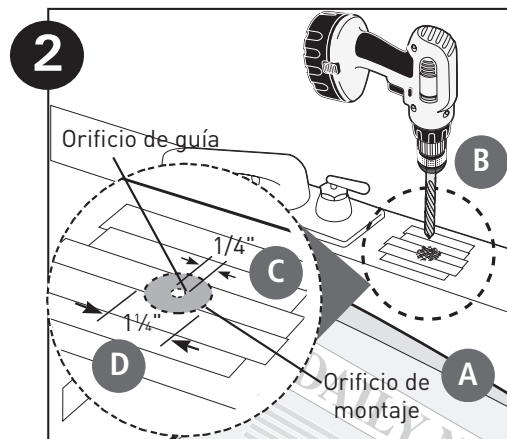
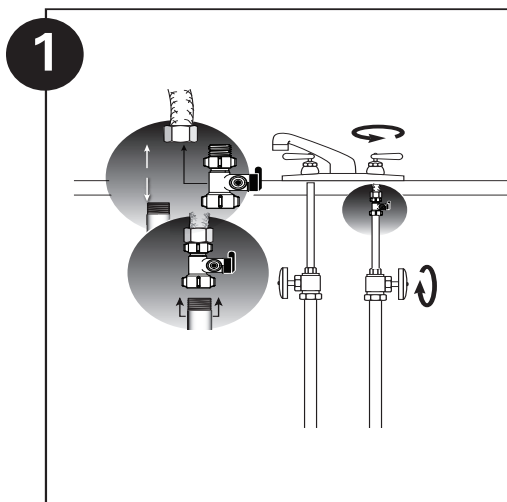
PRECAUCIÓN No trate de perforar a través de una cubierta de azulejo, mármol, granito o materiales similares. Consulte con un plomero o con el fabricante de la cubierta para obtener consejos o asistencia.

Las siguientes instrucciones se aplican únicamente a los **FREGADEROS DE ACERO INOXIDABLE**.

- (A) Cubra el fondo del fregadero con papel de periódico para impedir que caigan al drenaje virutas, piezas o herramientas.
- (B) Coloque cinta de enmascarar sobre el área que se va a perforar para ayudar a evitar rayones si la broca del taladro se resbala.
- (C) Marque el punto con un punzón de marcar. Use una broca de 1/4" para hacer un orificio de guía a través del fregadero.
- (D) Use un sacabocados de 1/4" para ensanchar el orificio. Alise los bordes ásperos con una lima.

3. Colocación de la llave de agua

- (A) Afloje la tuerca de vástago que está en la llave y retire el disco metálico ranurado (si está montado).
 - (B) Una la tubería de desagüe de 3/8" de diámetro grande a la conexión de espiga en la base de la llave. Esta tubería debe ser lo suficientemente larga para alcanzar la abrazadera de drenaje del Paso 4.
 - (C) Ubique la tubería de desagüe de 1/4" de diámetro pequeño conectada al puerto de desagüe del elemento GRO. Tienda la tubería hasta la llave y corte el exceso de tubería. Conserve tubería adicional para conectar el tanque de almacenamiento al sistema de ósmosis inversa.
 - (D) Una la tubería de desagüe de 1/4" que viene del sistema de ósmosis inversa a la otra conexión de espiga en la llave.
 - (E) Enrosque ambas tuberías de desagüe a través de los orificios en la placa y la arandela para deslizar la placa cromada y la arandela de caucho negro sobre la llave.
 - (F) Deslice la extensión blanca sobre la sección roscada larga de la llave. El extremo abierto de la extensión deberá estar en contacto con la base de la llave.
 - (G) Aplique 3-5 vueltas de cinta de teflón al vástago de la llave. Atornille el conector rápido en el extremo de las roscas de la llave.
 - (H) Moje el extremo del tubo de 3/8". Empuje a la parte inferior del conector. Jale suavemente para asegurarse de que la conexión esté completa.
- NOTA:** Para retirar el tubo, empuje el collarín de la conexión y jale el tubo.
- (I) Sosteniendo la llave, pase los tres tubos a través del orificio en el fregadero. Ponga la empuñadura de la llave en la ubicación deseada.
 - (J) Centre la llave y deslice el disco ranurado entre la extensión blanca y el fondo de la cubierta o el fregadero. Apriete la tuerca de vástago con una llave hasta que quede apretada.
 - (K) Inserte firmemente la boca de cuello de ganso en la base de la llave.



4. Instalación de la abrazadera de desagüe

NOTA: Si tiene un fregadero de una sola tina con un triturador, llame a Asistencia Técnica para obtener más opciones.

NOTA: Antes de instalar la abrazadera de drenaje, revise si los tubos de desagüe bajo el fregadero tienen corrosión. Las tuberías con corrosión deben ser reemplazadas antes de continuar con la instalación.

- (A) Coloque la abrazadera de desagüe en una sección vertical de la tubería de desagüe, alrededor de 6" sobre el sifón. Asegúrese de que la abertura de la abrazadera de desagüe esté viendo hacia la llave de agua potable [vea el diagrama en la página anterior].
- (B) Con el orificio del acoplamiento de la abrazadera de desagüe como guía, perforo un orificio de 1/4" a un lado de la tubería de desagüe.
- (C) Quite la abrazadera de desagüe de la tubería de desagüe y ensanche el orificio con una broca de 3/8". Utilice una lima para quitar los bordes ásperos del orificio perforado.
- (D) Asegúrese de que la junta de goma negra esté adherida al interior de la abrazadera de desagüe y coloque el conjunto de la abrazadera de desagüe sobre el orificio perforado. Mire a través del orificio y posicione la abrazadera para que el centro del orificio de la abrazadera sea apenas más alto (alrededor de 1/16") que el centro del orificio perforado. Apriete la abrazadera firmemente.
- (E) Atornille la tuerca de compresión plástica a la abrazadera de desagüe hasta que no pueda apretar más con la mano.

5. Conexión de la llave de agua al desagüe

PRECAUCIÓN Este es un desagüe de gravedad. Cualquier bucle, doblez o curva peligrosa se debe eliminar antes de continuar. No crear una línea recta al desagüe puede provocar que el agua rechazada se fugue a través del espacio de aire en la llave de agua hacia la cubierta y debajo de la llave de agua.

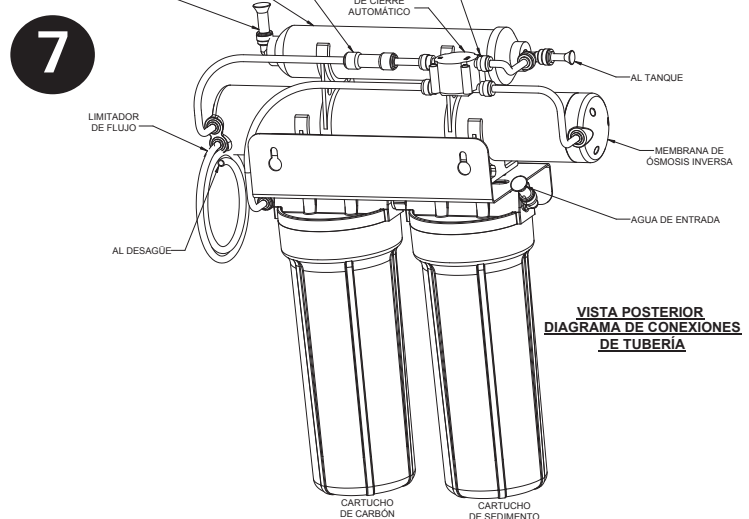
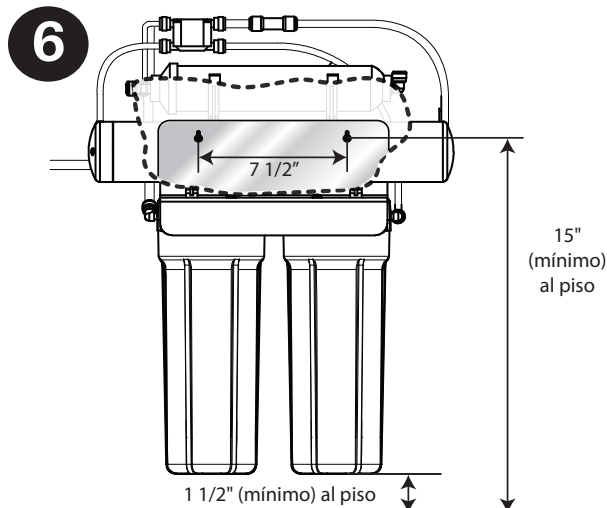
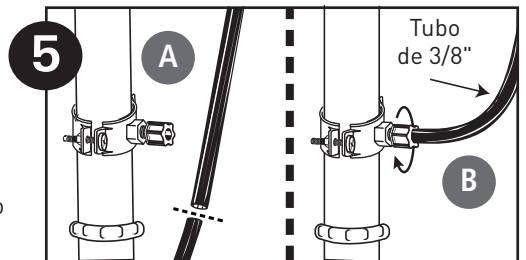
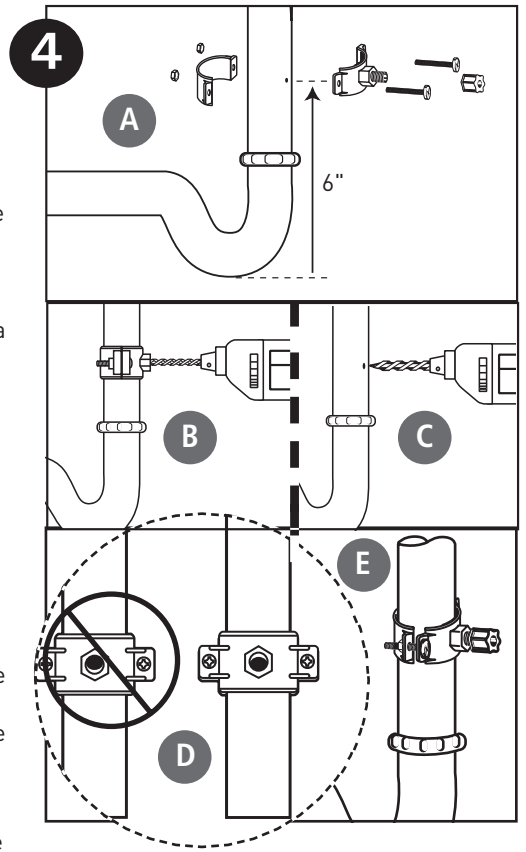
- (A) Alinee la tubería de rechazo/de agua rechazada más grande de 3/8" de la llave de agua con la tuerca de compresión en la abrazadera de desagüe. Cree un pasaje lo más recto y liso posible con la tubería. No retuerza la tubería. Corte la tubería directamente debajo de la tuerca y retire las rebabas internas y externas.
- (B) Afloje la tuerca de compresión dos vueltas enteras. Inserte la tubería dentro de la tuerca hasta que se frene. Apriete con los dedos, luego ajuste 1 o 2 vueltas con una llave inglesa.

6. Instalación de los tornillos de montaje.

- (A) Si el sistema se instalará debajo del fregadero de la cocina, ubíquelo en la pared trasera o derecha. Asegúrese de dejar un espacio amplio para la instalación. Para cambiar los cartuchos de filtro, se necesita un mínimo de 1-1/2" de espacio libre debajo de las carcasas para filtro. También se necesita un espacio libre de al menos 2" desde el lado izquierdo de la unidad o 5" desde el orificio del tornillo del soporte de montaje izquierdo.
 - (B) Coloque los tornillos de montaje a un mínimo de 15" del suelo del gabinete y 7 1/2" entre sí. Deje un espacio de 5/16" entre la cabeza de los tornillos y la pared para deslizar el soporte sobre los tornillos.
- NOTA:** Cada conexión en el conjunto de ósmosis inversa tiene un tapón que debe retirarse antes de insertar la tubería. Presione el anillo y saque el tapón.

7. Conexión de la llave de agua al sistema

- (A) El tubo de la llave que sale de la parte inferior del tubo metálico roscado se inserta en el posfiltro. La conexión se encuentra en la esquina superior derecha del sistema de ósmosis inversa. Empuje el extremo libre de la tubería hacia el interior del cople de conexión rápida.



VISTA POSTERIOR
DIAGRAMA DE CONEXIONES
DE TUBERÍA

INSTALACIÓN CONTINUACIÓN...

8. Conexión del tanque de almacenamiento al sistema

PRECAUCIÓN Cuando el tanque está lleno, pesa aproximadamente 28.5 libras (12.9 kg). Coloque un soporte amplio debajo del tanque.

(A) Para prevenir las fugas, aplique 3 vueltas o más de cinta de teflón a las roscas del tanque. Enrosque la válvula del tanque sobre la parte superior de la abertura del tanque. Gire el tanque de modo que la manivela quede alineada con la tubería.

PRECAUCIÓN La conexión tanque/válvula fugará si no se sella correctamente. Normalmente, la cinta de Teflón sellará la conexión roscada.

(B) Ubique el tramo restante de la tubería de 1/4 pulg.. Haga una marca en el tubo a 5/8" desde un extremo. Humedezca el extremo marcado de la tubería con agua e insértela con un movimiento giratorio dentro del puerto de la válvula del tanque hasta que la marca de 5/8" quede alineada con el cople de conexión rápida. Luego coloque el tanque cerca de la zona de instalación del sistema.

(C) Corte la tubería a la distancia correcta. Instale el extremo libre de la tubería dentro del cople de conexión rápida blanco en la "T" del posfiltro del lado izquierdo. Asegúrese de que la tubería no se doble.

(D) Coloque el sistema completo sobre los tornillos de montaje en la pared y deslícelo hacia abajo.

PRECAUCIÓN Asegúrese de que el sistema esté conectado firmemente a la pared para prevenir que se caiga y posiblemente se dañe.

NOTA: Tenga cuidado de no doblar ni pinchar la tubería detrás del sistema mientras coloca los tornillos de montaje.

9. Cómo conectar el sistema al adaptador de suministro de agua

(A) Ubique el tramo restante de la tubería de plástico de 1/4".

(B) Haga una marca en el tubo a 5/8" del extremo. Humedezca el extremo de la tubería con agua e inserte con un movimiento giratorio dentro del cople de conexión rápida en el lado izquierdo del sistema. Dependiendo de la instalación, puede ser necesario retirar el sistema de la superficie de montaje para tener acceso al lado izquierdo del sistema.

(C) Corte el tubo a una longitud que permita la conexión con el adaptador de suministro de agua. Asegúrese de que la tubería no se doble. Haga una marca en el tubo a 5/8" del extremo. Humedezca el extremo de la tubería con agua e inserte con un movimiento giratorio dentro del cople de conexión rápida en el adaptador de suministro de agua.

10. Funcionamiento de la llave de agua

(A) Para tener un flujo de agua controlado, empuje la empuñadura hacia abajo.

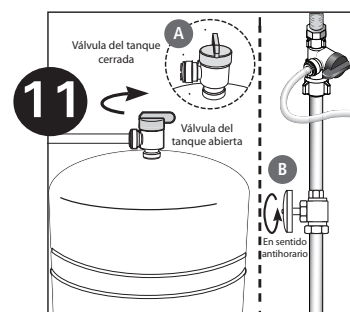
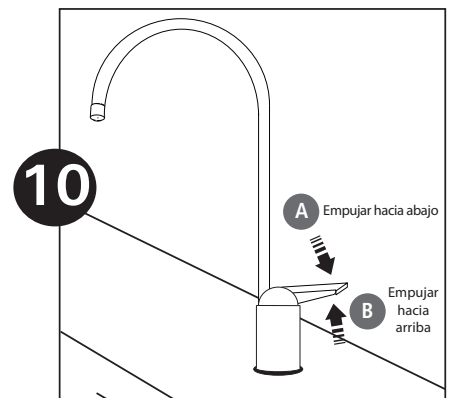
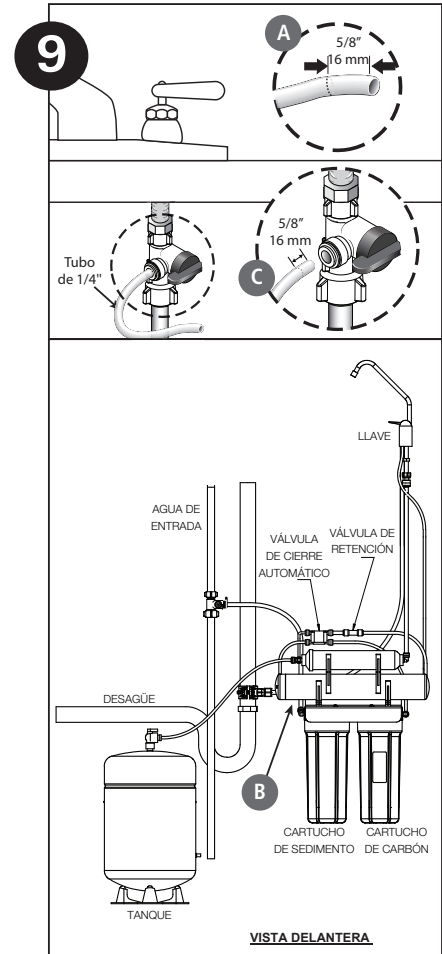
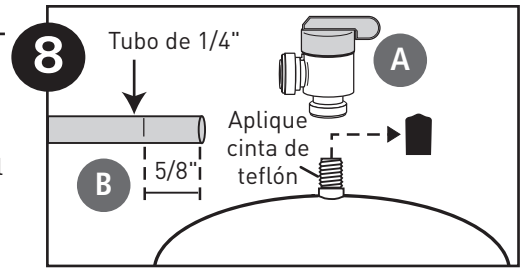
(B) Para tener un flujo de agua constante, levante la empuñadura de la llave para fijarla en la posición abierta.

11. Inicio del sistema

NOTA: La membrana de ósmosis inversa está tratada con un agente sanitizante de grado alimenticio que puede causar un gusto indeseable. Aunque no es dañino, debe ser expulsado del sistema.

NOTA: El filtro pospulidor puede contener partículas finas de carbón negras. Estos finos son inofensivos, pero pueden hacer que el agua luzca gris. Los finos de carbón se eliminan del sistema con el primer tanque lleno de agua.

NOTA: El sistema de ósmosis inversa no produce altos volúmenes de agua a pedido como lo hace un filtro común. El agua se produce a un ritmo lento, gota por gota. El sistema necesita alrededor de 2 a 4 horas para llenar el tanque de almacenamiento. A medida que se saca agua del tanque, el sistema comienza el ciclo automáticamente para reemplazar el agua y luego frena la producción de agua cuando el tanque está lleno.



PRECAUCIÓN Revise visualmente todo el sistema para encontrar fugas. Si existe una fuga, consulte la sección Resolución de problemas en la página 25.

- (A)** Cierre la válvula de la parte superior del tanque de almacenamiento.
- (B)** Abra el suministro de agua fría, y asegúrese de que la válvula del adaptador de suministro esté abierta.
- (C)** Levante la empuñadura de la llave de agua para trabarla en la posición abierta y deje gotear durante 30 minutos.
- (D)** Abra el suministro de agua fría completamente hasta que se detenga. Deje gotear el agua de la llave de agua durante otras 12 horas. Luego cierre la llave de agua y abra la válvula del tanque de almacenamiento. La válvula del tanque está abierta cuando las líneas de la manivela se alinean con la conexión de la tubería.
- (E)** Espere 3 horas para que el tanque se llene. Siga revisando la instalación periódicamente para encontrar fugas. Una vez que el tanque de almacenamiento está lleno, abra la llave de agua para dejar correr el agua a través del cartucho postfiltro. Espere de 4 a 5 minutos para que el tanque se vacíe completamente. Cierre la llave de agua y deje que se llene el tanque.
- (F)** Repita el paso E cuatro veces.

NOTA: En un primer momento, el agua puede parecer turbia. Esto es debido al aire atrapado en el filtro pospulidor. No es dañino y desaparecerá en cuestión de minutos. Puede tomar hasta una semana luego de instalar el filtro pospulidor nuevo para que el aire atrapado se disipe.

El sistema está listo para funcionar. Ahora puede disfrutar agua de calidad del sistema de ósmosis inversa.

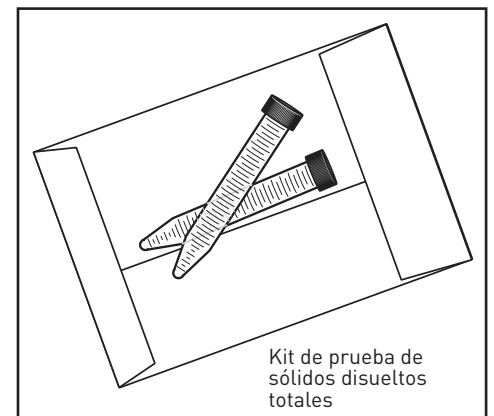
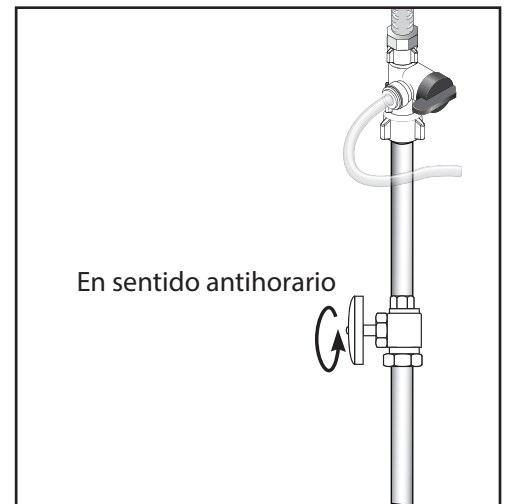
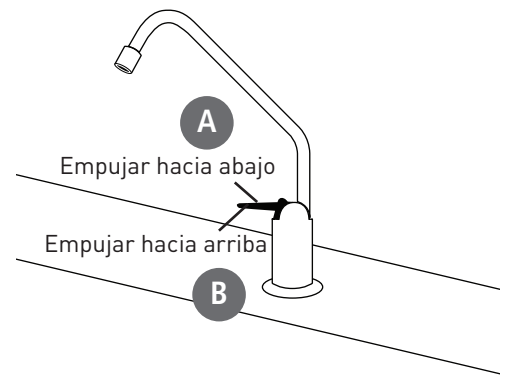
PRUEBA DEL SISTEMA DE ÓSMOSIS INVERSA

Sistema de ósmosis inversa modelo GRO-2550 Prueba de sólidos disueltos totales (TDS)

NOTA: Se recomienda enfáticamente que usted (el consumidor) haga analizar el agua cada 6 meses para verificar que el sistema esté funcionando satisfactoriamente.

INSTRUCCIONES DE MUESTREO:

Las instrucciones de muestreo se incluyen en el kit de prueba de sólidos disueltos totales (TDS).



INSTALACIÓN OPCIONAL

Cómo conectar su sistema de ósmosis inversa al dispensador de hielo/agua del refrigerador

PRECAUCIÓN Si va a conectar esta unidad al dispensador de hielo del refrigerador con la instalación inicial de ósmosis inversa, espere a que el filtro pospulidor se descargue de acuerdo al Paso 11.

PRECAUCIÓN Utilice mangueras y conexiones de plástico. No utilice tuberías de cobre ni acoplamientos de bronce.

NOTA: Para un rendimiento óptimo, se recomienda que la distancia entre el sistema de ósmosis inversa y el dispensador de hielo/agua del refrigerador no sea mayor a 10 pies (3 metros). En distancias mayores de 10 pies, es posible que la presión de agua del sistema no sea adecuada para proporcionar agua al refrigerador.

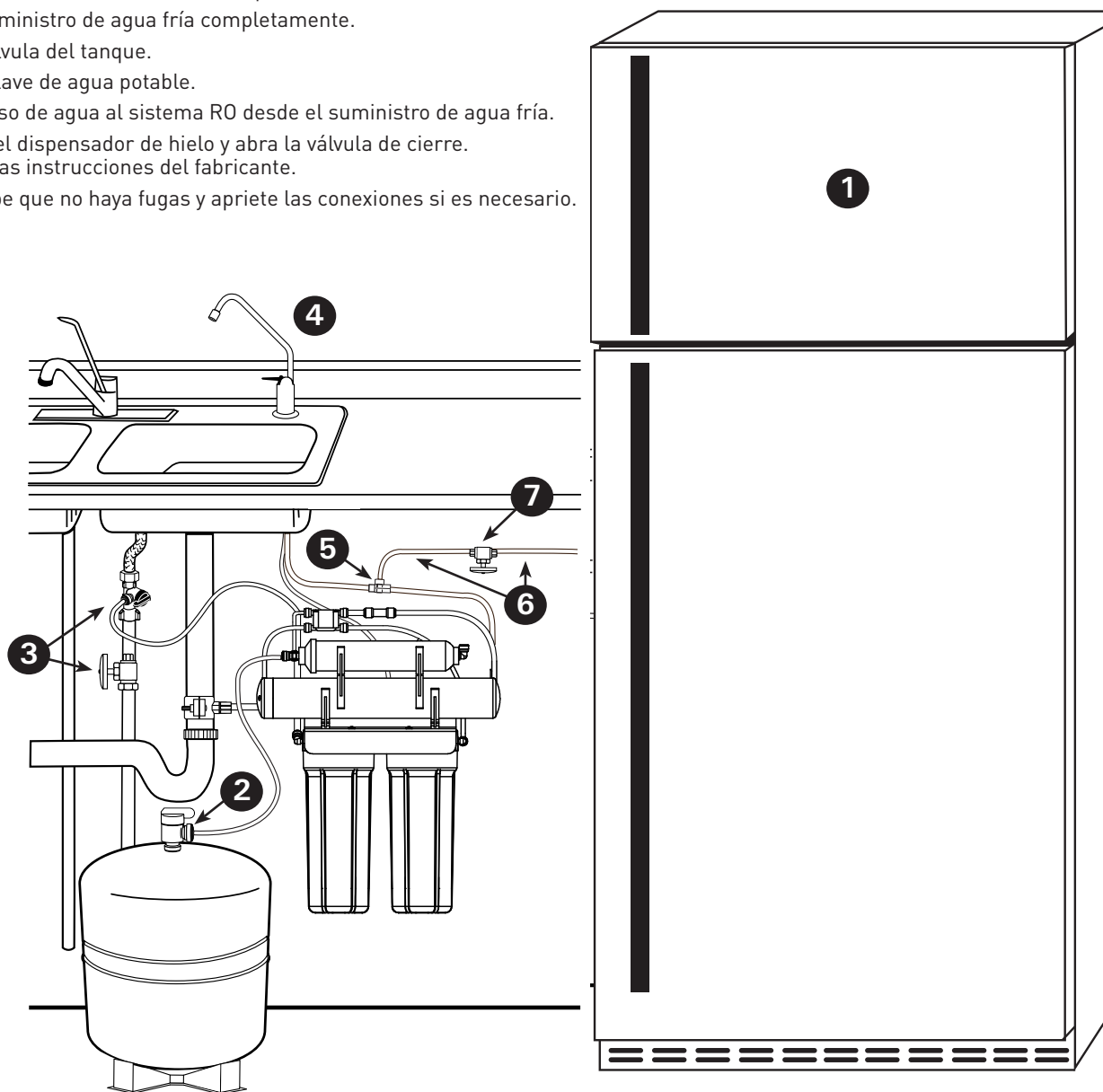
MATERIALES NECESARIOS (disponibles en su ferretería local):

- "T" de compresión o de conexión rápida de 3/8" x 3/8" x 3/8" (0.952 cm x 0.952 cm x 0.952 cm)
- 10 pies (3 m) de tubería de polietileno de 3/8" (0.952 cm)
- Válvula de cierre

1. Cierre el suministro de agua y el dispensador de hielo del refrigerador (consulte las pautas del fabricante).
2. Cierre la válvula del tanque (sobre el tanque de almacenamiento).
3. Cierre el paso de agua al sistema de ósmosis inversa en el suministro de agua fría, o en el adaptador de suministro de agua de entrada.
4. Abra la llave de agua potable para aliviar la presión.
5. Ubique la tubería (permeable) que conduce a la llave de agua potable. Corte e inserte la "T" de compresión o conexión rápida de 3/8" x 3/8" x 3/8" en la tubería permeable. Consulte las guías del fabricante antes de instalar el adaptador de suministro.

NOTA: Cuando corte la tubería permeable, puede experimentar un poco de fuga.

6. Use un tramo de tubería de polietileno de 3/8" para conectar la línea del dispensador de hielo con el puerto libre de la "T" de compresión.
7. La válvula de cierre debe instalarse lo más cerca posible de este puerto de la "T". La válvula de cierre se deberá instalar en la posición CERRADA. Consulte con las pautas del fabricante antes de instalar la válvula de cierre.
8. Abra el suministro de agua fría completamente.
9. Abra la válvula del tanque.
10. Cierre la llave de agua potable.
11. Abra el paso de agua al sistema RO desde el suministro de agua fría.
12. Encienda el dispensador de hielo y abra la válvula de cierre. Consulte las instrucciones del fabricante.
13. Compruebe que no haya fugas y apriete las conexiones si es necesario.

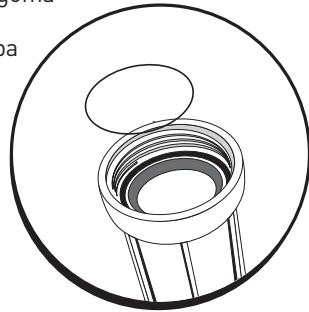


REEMPLAZO DE LOS CARTUCHOS DE PREFILTRO Y POSFILTRO

Cartuchos de prefiltro de 1ª etapa y prefiltro de 2ª etapa: El cartucho debe reemplazarse cada 6 a 12 meses. Si el agua contiene una alta cantidad de sedimento, posiblemente sea necesario cambiar más seguido el cartucho de 1ª etapa Si el agua contiene una alta cantidad de cloro, posiblemente sea necesario cambiar más seguido el prefiltro de la 2ª etapa.

1. Cierre el suministro de agua entrante y la válvula del tanque de almacenamiento. Coloque una bandeja debajo del sistema para recoger el agua que desborde durante el desmontaje de las carcasas del filtro.
2. Abra la llave de agua para aliviar la presión.
3. Desenrosque la parte inferior de las carcasas del filtro desde las válvulas. Use la llave inglesa del filtro. Deseche los cartuchos usados.
4. Remueva las juntas tóricas de goma negra de las ranuras de las carcasas. Limpie las ranuras y las juntas tóricas; deje a un lado las juntas tóricas.
5. Enjuague las carcasas y llene cada una con 1/3 de agua. Añada 2 cucharadas de blanqueador y friegue con cepillo no abrasivo o esponja. Enjuague completamente.
6. Lubrique cada junta tórica con una capa de grasa siliconada limpia. Con dos dedos, presione cada junta tórica firmemente hacia adentro de la ranura debajo de las roscas de la carcasa apropiada.

PRECAUCIÓN Las juntas tóricas de goma brindan un sellado hermético entre la tapa y la parte inferior de la carcasa. Es importante colocar la junta tórica en el surco debajo de las roscas de la carcasa para evitar una fuga de agua.



7. Coloque los cartuchos en la parte inferior de las carcasas. Asegúrese de que el cartucho calce en el tubo montante en la parte inferior de la carcasa.

NOTA: Asegúrese de instalar los cartuchos en las carcasas adecuadas (consulte el diagrama a continuación)

8. Atornille nuevamente las partes inferiores de las carcasas a las tapas firmemente; no ajuste demasiado. Active el suministro de agua fría. Verifique si hay fugas. Continúe revisando periódicamente para asegurarse de que no se desarrollen fugas.

Cartucho de posfiltro de 4ª etapa: el posfiltro se deberá reemplazar cada doce meses.

1. Cierre el suministro de agua entrante y la válvula del tanque de almacenamiento. Coloque una bandeja debajo del sistema para recoger el agua que desborde durante el desmontaje de las carcasas del filtro.
2. Abra la llave de agua para aliviar la presión.
3. Remueva el filtro del soporte y deséchelo.
4. Remueva los tubos de los cople presionando el anillo alrededor del cople mientras tira de la tubería con la otra mano.

NOTA: Si es necesario instalar acoplamientos de conexión rápida, cubra las roscas de los acoplamientos con 3 vueltas de cinta de teflón y conéctelos al filtro.

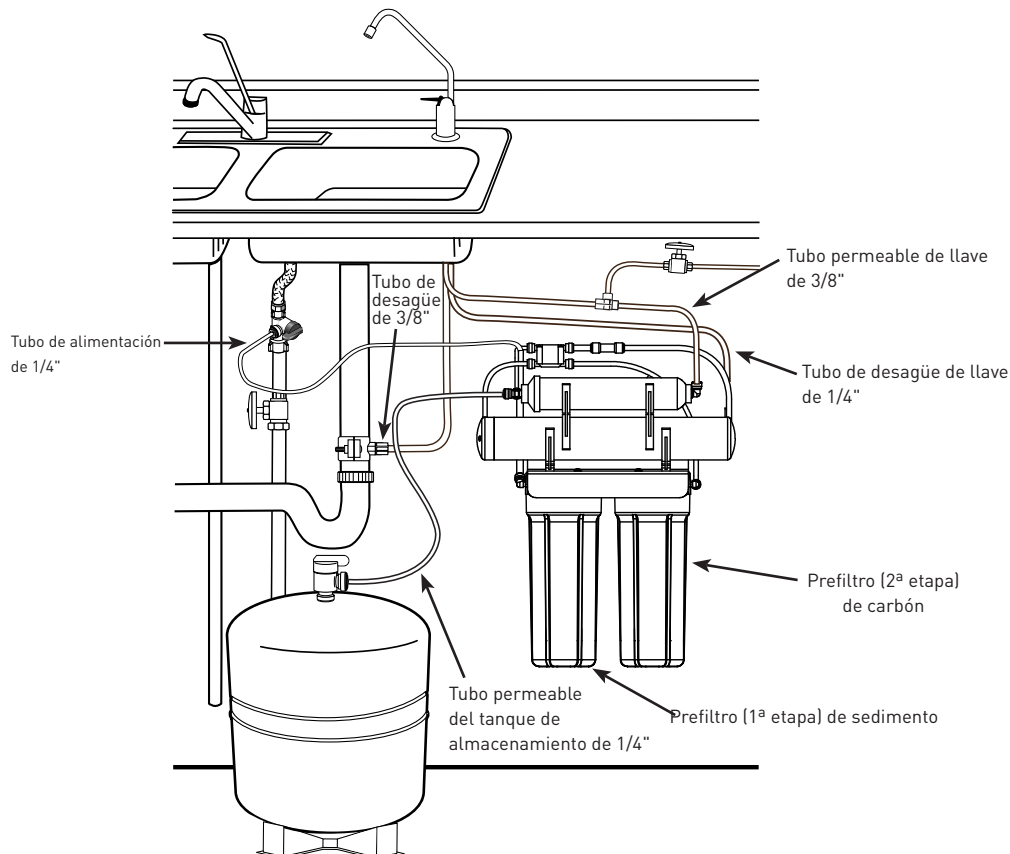
PRECAUCIÓN Asegúrese de que la tapa no esté tocando la junta tórica de la conexión o pueden ocurrir fugas.

NOTA: El filtro tiene una flecha que indica la dirección del flujo. El cople en "T" se conecta del lado de la entrada del filtro y el codo se conecta del lado de la salida.

NOTA: Apriete a mano los cople, luego apriete con una llave inglesa 1/4 de vuelta.

5. Conecte el filtro de 4ª etapa al soporte con el cople en "T" en el lado derecho.

6. Conecte las tuberías a los cople presionando hasta que el tubo se frene. Compruebe si el tubo está en posición tratando de retirar el tubo suavemente.



REEMPLAZO DE LA MEMBRANA DE ÓSMOSIS INVERSA DE LA 3ª ETAPA

Acerca de la membrana de ósmosis inversa

Cuando se la usa bajo las condiciones operacionales especificadas en la página 16 del manual, la membrana de ósmosis inversa debería durar como mínimo un año. Deberá reemplazar la membrana luego de 18 a 24 meses. Reemplácela antes si nota el regreso de gustos desagradables u olores o una disminución en la producción de agua. El período de vida preciso de la membrana del sistema dependerá de la calidad del agua que entra al sistema y de la frecuencia con la cual lo utiliza. El uso frecuente del sistema previene que las sales y los minerales filtrados se acumulen en la membrana como sarro. Cuanta más agua tenga que producir el sistema, más durará la membrana. Es posible encontrar una variedad de usos para el sistema para prolongar la vida de la membrana.

NOTA: Si el sistema se encuentra en desuso por más de 2 o 3 días, deberá vaciar el tanque de almacenamiento.

Remoción de la membrana y los filtros

NOTA: Cuando instale un nuevo elemento de membrana y control de flujo GRO, se recomienda que reemplace los cartuchos de prefiltro y filtro pospulidor también.

4. Cierre el suministro de agua fría. Deje que el sistema se despresurice durante 5 minutos. Coloque una bandeja debajo del sistema para recoger el agua que desborde durante la remoción de las carcasas del filtro.
5. Abra la llave de agua potable para aliviar la presión. Cuando el tanque esté vacío, cierre la llave de agua.
6. Desconecte las conexiones de tubería del elemento del GRO. Instale el nuevo elemento del GRO, la válvula de retención permeable y el controlador de flujo de rechazo capilar.
7. Desenrosque las carcasas de filtro de las tapas y deseche los cartuchos usados.
8. Remueva las juntas tóricas de goma negra de las ranuras de las carcasas. Limpie las ranuras y las juntas tóricas. Para reemplazar los filtros vea Reemplazo de los cartuchos de prefiltro y posfiltro en la página 22.
9. Lubrique las juntas tóricas con una capa de grasa siliconada limpia. Con dos dedos, presione cada junta tórica firmemente hacia adentro de la ranura debajo de las roscas de la carcasa apropiada.

PRECAUCIÓN La junta tórica de goma brinda un sellado hermético entre la tapa y la parte inferior de la carcasa. Es importante colocar de forma correcta la junta tórica en el surco debajo de las roscas de la carcasa para evitar una fuga de agua.

NOTA: Luego de instalar el elemento GRO, el control de flujo y los cartuchos nuevos, deje funcionar el sistema durante 3 horas para llenar el tanque. Verifique si hay fugas hora. A medida que aumente la presión en el tanque, pueden ocurrir fugas que no existían directamente luego de la instalación. Cuando se hayan cambiado el elemento de ósmosis inversa y los cartuchos, siga el procedimiento para iniciar el sistema del Paso 11. Inicio del sistema

Procedimiento de sanitización

1. Cierre el suministro de agua al sistema de ósmosis inversa y abra la llave de RO para drenar el tanque de almacenamiento.
2. Desconecte el tubo de la válvula de cierre en el tanque de almacenamiento.
3. Usando un gotero transparente, inserte 0/2 cucharada de blanqueador casero ordinario en el tubo azul. Este fluirá en el tanque una vez que el agua se vuelva a abrir en la unidad. Reconecte el tubo de la válvula de cierre en el tanque de almacenamiento. Siga el procedimiento de encendido

GUÍA DE RESOLUCIÓN DE PROBLEMAS

Fugas entre la parte inferior de la carcasa y la tapa

1. Asegúrese de que el desagüe esté atornillado firmemente a la tapa. Si sigue teniendo fugas, cierre el suministro de agua fría y las válvulas del tanque.
2. Limpie la junta tórica de goma negra y lubrique con grasa siliconada limpia. Con dos dedos, inserte la junta tórica dentro de la ranura debajo de las roscas de la carcasa y presiónela hasta que quede en su lugar. Apriete la carcasa nuevamente hacia la tapa.
3. Abra el suministro de agua fría y la válvula del tanque. Si las fugas continúan, llame a Asistencia Técnica.

Fugas en el ensamble de la válvula del tanque

1. Abra la llave de agua potable para vaciar el tanque de almacenamiento. Deje abierta la llave de agua potable hasta que gotee. Cierre el suministro de agua fría.
2. Presione el anillo blanco del cople de la válvula del tanque y tire de la tubería. Desenrosque la válvula del tanque del tanque de almacenamiento. Envuelva nuevamente las roscas de la parte superior del tanque con cinta de teflón. Vuelva a enroscar la válvula al tanque. Recorte 1/2" del extremo de la tubería y vuelva a insertar 5/8" dentro del cople de la válvula del tanque.
3. Abra el suministro de agua fría y cierre la llave de ósmosis inversa. Permita que el sistema se presurice durante varias horas y verifique si hay fugas. Vuelva a verificar una vez que el tanque este totalmente presurizado.

Fugas en los coples de conexión rápida

1. Cierre el suministro de agua fría y la válvula del tanque.
2. Presione el anillo plástico y tire de la tubería.
3. Corte 1" de tubería y haga una marca a 5/8" desde el extremo. Se debe cortar la tubería directamente. Se debe quitar la rebaba interna y externa.
4. Presione la tubería aproximadamente 5/8" dentro del cople.
5. Abra el suministro de agua fría y la válvula del tanque. Si las fugas continúan, llame a Asistencia Técnica.

No hay flujo o hay poco flujo desde la línea de salmuera (desagüe)

Menos de 1½ tazas por minutos.

NOTA: Antes de revisar el flujo de agua de salmuera (o rechazada), asegúrese de que el sistema produce agua cerrando la válvula del tanque de almacenamiento y abriendo la llave de agua. Debería gotear agua desde la llave de agua.

1. Examine los prefiltros. Si están obstruidos, reemplace (consulte la sección Reemplazo de los cartuchos de prefiltro y posfiltro en la página 22) y vuelva a verificar el caudal de salmuera (o rechazada).
2. Si los prefiltros no presentan problemas, probablemente el controlador de flujo de agua de salmuera (o de desagüe) esté obstruido. Llame a Asistencia Técnica.

Agua de producto con nivel alto de TDS

Si se detecta un nivel alto de TDS (sólidos disueltos totales) en el agua de producto (aproximadamente 30% o mayor de lo que se registra en el agua de red, determinado con un medidor de conductividad o por el kit de prueba TDS provisto), posiblemente haya que cambiar el elemento de membrana GRO, o es posible que la tubería de control de flujo de agua de salmuera (o de desagüe) esté obstruida. Consulte con su distribuidor o plomero para comprobar los sólidos disueltos totales del agua de producto.

Producción reducida

El poco flujo o el flujo inexistente generalmente indican que un prefiltro está obstruido o una membrana está agotada. Primero, reemplace los prefiltros. Si no mejora el índice de producción, reemplace la membrana.

Retorno gradual del gusto y el olor

El retorno gradual del gusto y olor desagradables durante un cierto tiempo puede indicar que los cartuchos de filtro y/o la membrana RO necesitan reemplazarse. Consulte Reemplazo de los prefiltros en la página 22 y Reemplazo de la membrana de ósmosis inversa en la página 23.

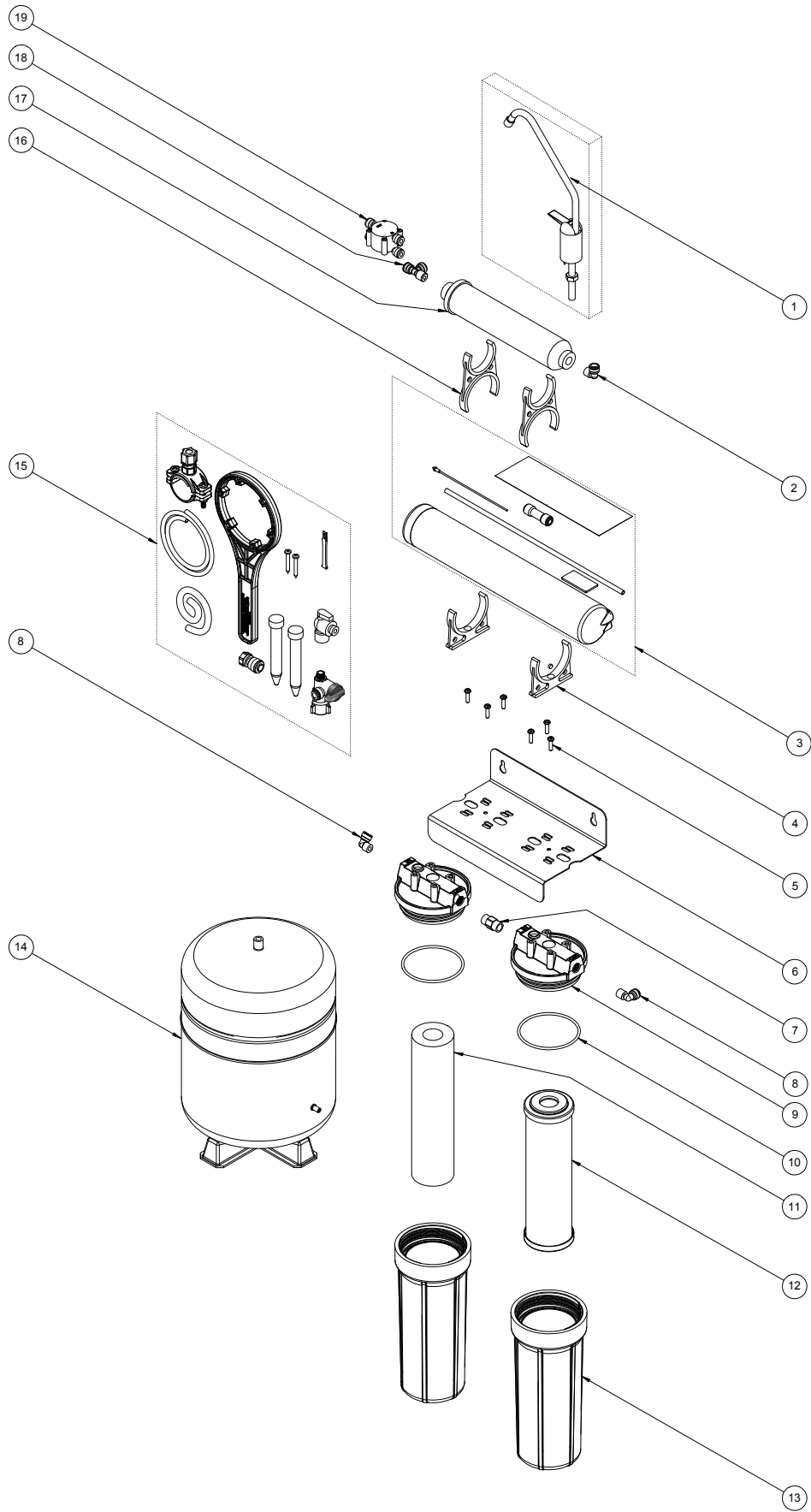
Retorno repentino del gusto y el olor

Si poco tiempo después de un mantenimiento completo retornan los gustos u olores, comuníquese con Asistencia Técnica.

No hay presión de agua en la llave de agua potable o hay poco volumen en el tanque de almacenamiento.

1. Cierre el suministro de agua al sistema.
 2. Levante el tanque de almacenamiento para saber si está vacío. Si no lo está, abra la llave de agua potable para vaciar el tanque.
- NOTA:** Quizás sea necesario bombear una pequeña cantidad de aire al tanque con una bomba de bicicleta para quitar toda el agua del tanque.
3. Cuando el tanque esté vacío, use un manómetro para revisar la presión del tanque. Un tanque vacío debería tener de 5 a 7 psi de presión. Incremente o disminuya la presión de aire según corresponda.
 4. Abra el suministro de agua fría. Permita que el sistema funcione durante 3 horas para llenar el tanque, luego compruebe el rendimiento del sistema. Si el rendimiento no ha mejorado, llame a Asistencia Técnica.

GUÍA DE PARTES



Para obtener piezas de repuesto, comuníquese con su distribuidor de Filtro de Agua más cercano o llame al **800.279.9404**

GUÍA DE PARTES *CONTINUACIÓN...*

ARTÍCULO N.º	PIEZA N.º	DESCRIPCIÓN	CANT.
1	244820	ACCESORIO	1
2	244834	CODO, CONEXIÓN RÁPIDA DE TUBERÍA DE 3/8"	1
3	4004424	ETAPA 3, GRO-EN CON DLFC	1
4	BPRO-50-S17	CLIP, SENCILLO	2
5	PW-80-09	TORNILLO DE SOPORTE	6
6	244784	SOPORTE, ACERO	1
7	244791	ACOPLAMIENTO, 1/4" NPT X 1/4" NPT	1
8	244788	CODO, CONEXIÓN RÁPIDA DE TUBERÍA DE 1/4"	2
9	154062	TAPA, SL, 1/4" NPT	2
10	143026	JUNTA TÓRICA, DESAGÜE	2
11	155014-43	ETAPA 1, PREFILTRO DE SEDIMENTO, 5 MICRONES	1
12	155634-43	ETAPA 2, PREFILTRO DE BLOQUE DE CARBÓN	1
13	153049	DESAGÜE #10, BLANCO	2
14	244833	TANQUE DE ALMACENAMIENTO DE RO	1
15	244982	KIT DE INSTALACIÓN, SISTEMA GRO	1
16	BPRO-50-S18	CLIP, DOBLE	2
17	255521-43	ETAPA 4, POSFILTRO GAC	1
18	244790	"T", 1/4" NPT X 1/4" TUBERÍA DE CONEXIÓN RÁPIDA	1
19	244787	VÁLVULA, CIERRE AUTOMÁTICO	1

Comprador

Vendedor

Fecha

INFORMACIÓN DE RENDIMIENTO

IMPORTANTE:

Lea estos datos sobre rendimiento y compare las capacidades de este sistema con sus necesidades de tratamiento de agua.

Se recomienda que antes de instalar un sistema de tratamiento de agua, haga analizar su suministro de agua para determinar sus necesidades de tratamiento del agua.

Este sistema ha sido analizado de acuerdo con la Norma NSF/ANSI 58 para la reducción de las sustancias enumeradas a continuación. La concentración de las sustancias indicadas en el agua que entra al sistema se redujeron a una concentración menor o igual a los límites permitidos para el agua que sale del sistema, como lo especifica la Norma NSF/ANSI 58.

⚠ ADVERTENCIA: No se debe utilizar con agua microbiológicamente insegura o de calidad desconocida sin la desinfección adecuada previa o posterior al paso por el sistema. Los sistemas certificados para la reducción de quistes pueden usarse en aguas desinfectadas que pudieran contener quistes filtrables.

NOTA: Las sustancias reducidas no se encuentran necesariamente en su agua. Se debe mantener el filtro según las instrucciones del fabricante, incluyendo el reemplazo de los cartuchos de filtro.

El valor de eficacia probada de estos sistemas es 15.39%. El valor de eficacia es el porcentaje de agua prefiltrada en el sistema que está disponible para el usuario como agua tratada por ósmosis inversa bajo condiciones operativas que se aproximan al uso diario típico.

El valor de recuperación probada es 31.76%. El valor de recuperación es el porcentaje del agua prefiltrada en la parte de la membrana del sistema que está disponible para el usuario como agua tratada por ósmosis inversa cuando el sistema funciona sin un tanque de almacenamiento o cuando el tanque de almacenamiento está derivado.

EPA # 082989-CHN-001

Tasa de producción del sistema: 10.09 gpd (38.19 Lpd)

Clasificación de recuperación: 31.76%

Clasificación de eficiencia: 15.39%

Rechazo de TDS: 96.8%



El sistema fue probado y certificado por NSF International bajo las Normas 58 de NSF/ANSI y B483.1 de CSA en cuanto a la reducción de las afirmaciones especificadas en la Hoja de información sobre rendimiento.

SISTEMA GRO-2550 INSTALADO CON CARTUCHOS DE FILTRO P5, EPM-10, GRO-50EN, GS-10RO

Modelo GRO-2550

Sustancia	Concentración de contaminantes en el agua prefiltrada	Concentración máxima permitida de agua de producto	Necesidad de reducción	Reducción promedio
Norma 58				
Sólidos disueltos totales	750 ± 40 mg/L	187 mg/L		96.8%
Quistes*	50,000/mL mínimo		99.95%	>99.99%

*Con certificado de la Norma 58 de NSF/ANSI para reducir los quistes como *Cryptosporidium* y *Giardia* por medios mecánicos

IMPORTANT : Avant d'installer ce système à osmose inverse, assurez-vous que votre alimentation en eau est conforme aux spécifications techniques suivantes. Une alimentation en eau non conforme pourrait réduire l'efficacité du système et avoir pour effet d'annuler votre garantie.

SPÉCIFICATIONS

Membrane à pellicule mince :	GRO- 50EN
Pression de l'eau d'alimentation :	40 à 100 lb/po ² (2,75 à 6,9 bar)
Plage de température :	40–100 °F (4,4–37,7 °C)
MDT :	2000 ppm
Dureté maximale [†] :	10 gpg (171 mg/L)
Sulfures, fer et manganèse [‡] :	< 0,1 ppm
Teneur en chlore de l'alimentation en eau :	Moins de 2 ppm
Plage de pH :	3 à 11

[†]Si la dureté de votre eau dépasse 10 gpg (171 mg/L), des dépôts calcaires se formeront rapidement sur la membrane. Ces dépôts obstrueront la membrane et rendront le système inefficace. Nous ne recommandons pas l'utilisation de ces systèmes à osmose inverse lorsque la dureté de l'eau dépasse 10 gpg (171 mg/L).

[‡]Une concentration maximale d'environ 0,01 ppm de sulfures, de fer ou de manganèse est acceptable. Consultez votre détaillant pour savoir comment réduire ces substances dans votre eau.

PIÈCES COMPRISSES : (VOIR LE SCHÉMA AU DOS DU MANUEL)

Système de filtre préassemblé (support de montage, membrane encapsulée, boîtiers de préfiltre et de post-filtre et cartouches de préfiltration et de post-filtration).

- Réservoir de stockage
- Adaptateur d'arrivée d'eau
- Collier de serrage pour tuyau de vidange
- Tuyau de 1/4 po
- Vanne de réservoir
- Robinet chromé
- Tuyau d'alimentation
- Clé pour fond de boîtier de filtre
- Tuyau de 3/8 po

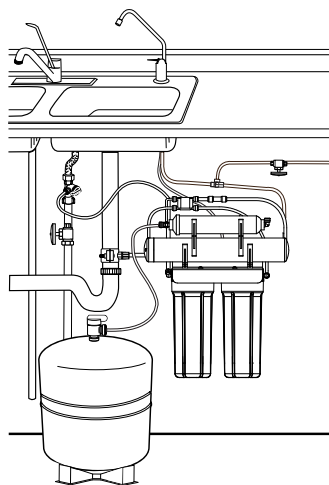
Outils et matériel requis

- Perceuse à main ou électrique (modèle sans fil recommandé)
- 2 clés ajustables
- Tournevis plat et cruciforme
- Lime
- Lunettes de sécurité
- Mèches : 1/8 po, 3/16 po, 1/4 po, 3/8 po

Si l'évier ne comporte pas un trou pour un autre robinet :

- Pointeau
- Meule conique
- Scie-cloche ou mèche de 1 1/4 po
- Masque de protection

NOTE : Il se peut que tous les outils ne soient pas nécessaires à l'installation. Lisez les procédures d'installation avant de commencer afin de déterminer de quels outils vous aurez besoin.



DIMENSIONS DU SYSTÈME :

Dimensions hors tout :	15 po l x 5 1/2 po P x 17 1/4 po H (38,1 cm l x 12,7 cm P x 43,8 cm H)
Poids :	18 lb (8,16 kg)
Dimensions du réservoir :	13 1/2 po l x 9 po P x 9 po H (34,29 cm l x 22,86 cm P x 22,86 cm H)
Capacité maximale du réservoir :	2,8 gal (10,6 L)
Pression d'air di-réservoir à vide :	5 à 7 lb/po ² (0,34 à 0,48 bar)
Poids du réservoir (plein) :	28,5 lb (12,9 kg)

COMMENT FONCTIONNE L'OSMOSE INVERSE

Le système à osmose inverse GRO-2550 utilise une membrane semi-perméable pour réduire la teneur en sels et en minéraux dissous et améliorer ainsi le goût et l'odeur de votre eau. La membrane OI est composée de plusieurs films dont l'épaisseur est de l'ordre du micron et qui sont enroulés autour d'un tube central. Les molécules d'eau peuvent traverser la membrane mais non les sels et les minéraux dissous.

Dans le système à osmose inverse GRO-2550, la filtration est réalisée en quatre étapes. Votre eau subit une préfiltration qui en réduit les impuretés et le chlore qui peuvent encrasser la membrane. La membrane OI sépare cette eau préfiltrée en EAU FILTRÉE et en EAU GRISE ou EAU USÉE. La pression d'admission de l'eau pousse l'eau filtrée à travers la membrane, dans le réservoir de stockage. Les matières dissoutes et les autres contaminants ne peuvent traverser la membrane et sont évacués sous forme d'eau usée. Lorsque vous ouvrez le robinet d'eau potable, l'eau filtrée tirée du réservoir de stockage traverse un post-filtre au charbon activé qui vous procure une eau plus propre et plus savoureuse.

Pour chaque gallon d'eau produit, plusieurs gallons sont rejetés sous forme d'eau usée. Le réservoir de stockage peut contenir jusqu'à 2,8 gallons (10,6 L) d'eau que vous pourrez boire et utiliser pour cuisiner. Lorsque le système est utilisé conformément aux spécifications de la page 29 du manuel, vos membranes d'osmose inverse devraient durer de 12 à 24 mois.

AVERTISSEMENT RELATIF À LA PROPOSITION 65 DE CALIFORNIE

⚠ AVERTISSEMENT : Ce produit contient des produits chimiques considérés par l'État de Californie comme pouvant causer des cancers, des malformations congénitales et d'autres troubles du système reproducteur.

MESURES DE PRÉCAUTION

GÉNÉRALITÉS

AVERTISSEMENT N'utilisez pas le système avec de l'eau insalubre microbiologiquement ou de qualité inconnue sans désinfection adéquate en amont ou en aval du système. Les systèmes homologués pour réduction des kystes* peuvent être utilisés avec de l'eau désinfectée pouvant contenir des kystes filtrables.

*Certifié selon la norme NSF/ANSI 58 pour réduire les kystes comme *Cryptosporidium* et *Giardia* par des moyens mécaniques.

MISE EN GARDE Le filtre doit être protégé contre le gel afin de prévenir les fissurations et les fuites d'eau.

MISE EN GARDE Comme la durée de vie du produit est limitée, pour éviter des réparations coûteuses et prévenir d'éventuels dégâts d'eau, nous vous recommandons fortement de remplacer la base des boîtiers en plastique transparent tous les cinq ans et celle des boîtiers opaques tous les dix ans. Si la base de votre boîtier est utilisée depuis plus de dix ans, elle devrait être remplacée immédiatement. Inscrivez la date sur la base de votre nouveau boîtier ou du boîtier de rechange afin de savoir à quel moment celle-ci devra être remplacée.

NOTE :

- Pour que le système fonctionne correctement, votre eau doit se situer dans les limites prescrites. Sinon, la vie utile de la membrane peut être réduite et votre garantie sera annulée (voir la section Spécifications à la page 29).
- Ce système à osmose inverse n'offre pas de protection contre les bactéries pathogènes et n'élimine pas non plus les bactéries d'origine naturelle inoffensives.
- Le système doit être installé uniquement sur l'arrivée d'eau froide.
- N'utilisez pas de matériau de garnissage à effet de mèche ni de scellant pour ajuster un raccord dans le couvercle du filtre. Il est recommandé d'utiliser du ruban pour tuyaux.
- Assurez-vous que l'installation est conforme aux lois et aux règlements d'État, provinciaux et municipaux.
- Les cartouches de rechange et l'élément d'osmose inverse fournis avec ce système ont une durée de vie limitée. Un changement dans le goût, l'odeur et le débit de l'eau filtrée indique que la cartouche doit être remplacée (voir les sections Remplacement des préfiltres et du post-filtre, à la page 36, et Remplacement de l'élément d'osmose inverse, à la page 37).
- Après une période prolongée d'inutilisation (par exemple, après des vacances), il est recommandé de rincer le système pendant cinq minutes avant usage.
- Une cartouche filtrante d'eau potable peut contenir de fines particules de charbon (poudre noire très fine). Après l'installation, rincez le système pendant cinq minutes afin d'éliminer les particules de charbon avant d'utiliser l'eau.
- Il est recommandé de faire couler l'eau pendant au moins 20 secondes avant de la boire ou de l'utiliser pour la cuisson.
- Les contaminants et les autres substances éliminées ou réduites par ce système ne sont pas forcément présents dans votre eau.

MESURES DE PRÉCAUTION APPLICABLES À LA MEMBRANE OI

MISE EN GARDE Le chlore détruira l'élément d'osmose inverse GRO-EN. Si vous utilisez le système GRO-2550 avec une alimentation en eau chlorée ou périodiquement chlorée, il FAUT ABSOLUMENT utiliser un préfiltre au charbon (inclus avec le système). Ce préfiltre au charbon devrait être remplacé au moins tous les 6 à 12 mois afin de prévenir le passage inopiné de chlore. Voir la garantie pour connaître les exclusions et les limitations qui s'appliquent à l'élément GRO-50EN.

NOTE :

- Afin de vous assurer qu'il n'y a pas de chlore dans l'eau qui traverse la membrane, vous pouvez utiliser une trousse d'analyse de chlore pour vérifier la présence de chlore dans la saumure et l'eau usée rejetée par la membrane. Aucun chlore ne devrait être décelé.
- La membrane GRO-50EN est résistante aux bactéries d'origine naturelle.

MARCHE À SUIVRE POUR UNE INSTALLATION STANDARD

- Pour une installation standard sous évier sur une conduite d'eau froide en acier, en laiton ou en cuivre de 3/8 po (10 mm).
- Veuillez lire toutes les directives et prendre toutes les précautions nécessaires avant d'installer et d'utiliser votre système de filtration GRO-2550.
- Les schémas numérotés correspondent aux étapes à suivre.

INSTALLATION

- Veuillez lire toutes les directives d'installation et d'utilisation avant d'installer et d'utiliser votre système de filtration OI.
- Les schémas numérotés correspondent aux étapes à suivre.

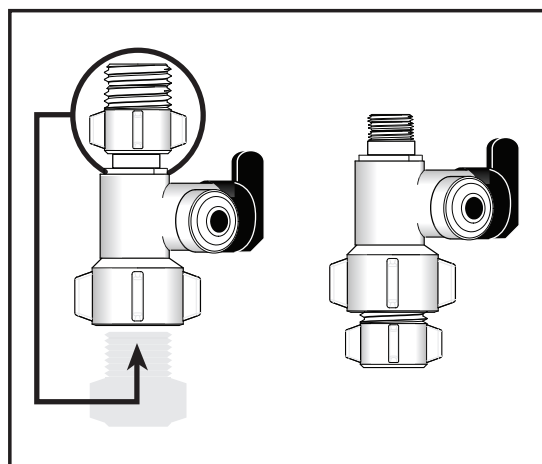
1. Installation de l'adaptateur d'arrivée d'eau

L'adaptateur d'arrivée d'eau s'installe sur des conduites de 1/2 po – 14 NPS ou des raccords à compression de 3/8 po x 3/8 po. Si les codes locaux le permettent, il peut être utilisé pour raccorder le système à la conduite d'alimentation en eau froide. Si les codes locaux ne permettent pas l'utilisation de l'adaptateur d'arrivée d'eau, vous pouvez vous procurer d'autres raccords auprès de votre fournisseur local.

Instructions :

- (A)** Coupez l'alimentation en eau froide. S'il n'y a pas sous l'évier de robinet permettant de couper l'alimentation en eau froide, vous devriez en installer un.
- (B)** Ouvrez le robinet d'eau froide et laissez l'eau s'écouler complètement de la conduite.
- (C)** Débranchez le robinet d'alimentation en eau froide de la conduite verticale.
- (D)** Assurez-vous que le joint d'étanchéité est complètement inséré dans le filetage femelle de l'adaptateur d'arrivée.
- (E)** Installez l'adaptateur d'arrivée sur le robinet d'alimentation. L'adaptateur d'arrivée peut être installé en dessous du tuyau d'alimentation ou au-dessus du tuyau d'arrivée d'eau froide. Serrez à la main seulement.
- (F)** Raccordez la conduite verticale à l'adaptateur d'arrivée.

NOTE : Assurez-vous de ne pas fausser le filetage.



INSTALLATION (SUITE)

2. Choix de l'emplacement du robinet

L'emplacement du robinet d'eau potable doit être choisi en tenant compte du fonctionnement, du côté pratique et de l'aspect esthétique. Trouvez une surface plane adéquate pour que la base du robinet repose à plat de façon stable. Le robinet s'insère dans un orifice de 1 ¼ po. La plupart des éviers comportent un orifice de 1 ½ po ou de 1 ¾ po de diamètre conçu pour recevoir une douchette. Le robinet d'eau potable peut être installé dans l'un de ces orifices, même si ceux-ci sont trop grands. Si ces trous ne peuvent pas servir à l'installation ou s'ils se trouvent à un endroit peu commode, il sera nécessaire de percer un trou d'un diamètre de 1 ¼ po dans l'évier ou le comptoir adjacent à l'évier pour recevoir le robinet.

MISE EN GARDE Cette procédure produit de la poussière qui risque de provoquer de l'irritation en cas d'inhalation ou de contact avec les yeux. Le port de lunettes de sécurité et d'un masque de protection est recommandé pour cette procédure.

MISE EN GARDE Ne tentez pas de percer un évier entièrement fait de porcelaine ou revêtu de porcelaine. Pour ces types d'évier, il est recommandé d'utiliser l'orifice de la douchette ou de percer un orifice dans le comptoir pour recevoir le robinet.

MISE EN GARDE Avant de percer un comptoir, vérifiez s'il n'y a aucun fil ni tuyau sous la zone à percer. Vérifiez si l'espace est suffisant pour faire les raccordements nécessaires sous le robinet.

MISE EN GARDE Ne percez pas un comptoir dont l'épaisseur est supérieure à 1 po.

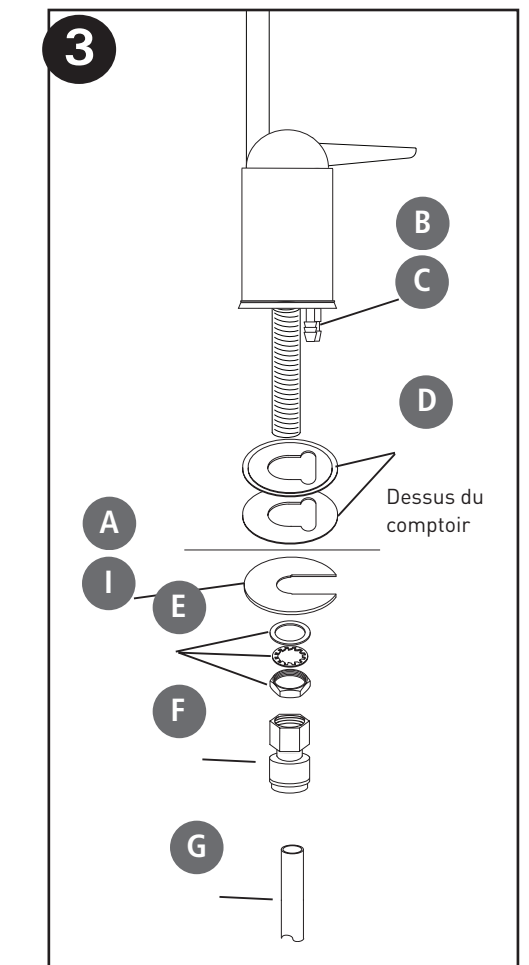
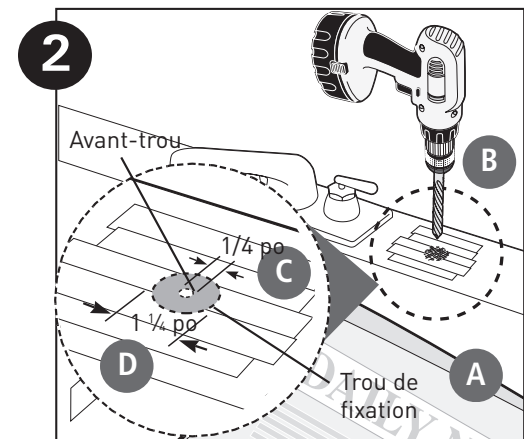
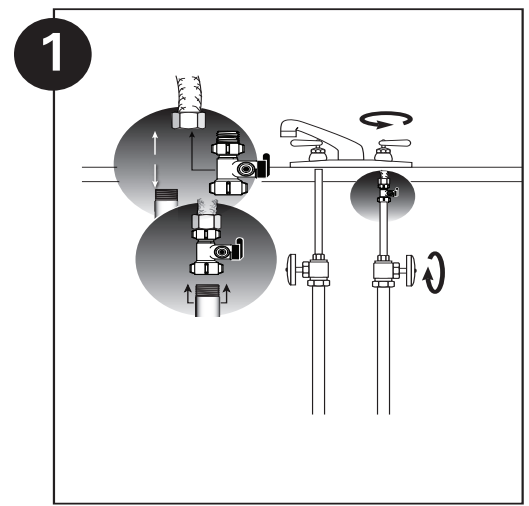
MISE EN GARDE Ne tentez pas de percer un trou dans un comptoir fait de carreaux de céramique, de marbre, de granite ou d'un matériau similaire. Pour obtenir des conseils ou de l'aide, adressez-vous à un plombier ou au fabricant du comptoir.

Les instructions suivantes s'appliquent SEULEMENT aux éviers en acier.

- (A) Déposez du papier journal au fond de l'évier pour éviter que des copeaux, des pièces ou des outils tombent dans le tuyau de vidange.
- (B) Collez du ruban-masque sur la surface à percer pour prévenir les éraflures si la mèche de perceuse glisse.
- (C) Marquez l'emplacement du trou à l'aide d'un pointeau. Utilisez une mèche de perceuse de 1/4 po pour percer l'avant-trou dans l'évier.
- (D) Utilisez une scie-cloche de 1 ¼ po pour agrandir le trou. Poncez les rebords inégaux à l'aide d'une lime.

3. Montage du robinet

- (A) Desserrez l'écrou de tige du robinet et retirez le disque fendu en métal, le cas échéant.
- (B) Fixez le gros tuyau de vidange de 3/8 po au raccord cannelé à la base du robinet. Ce tuyau devrait être suffisamment long pour atteindre le collier de serrage installé à l'étape 4.
- (C) Repérez le petit tuyau de vidange de 1/4 po raccordé à l'orifice de vidange de l'élément d'osmose inverse écologique. Acheminez le tuyau au robinet et coupez l'excédent. Conservez la longueur de tuyau inutilisée pour raccorder le réservoir de stockage au système OI.
- (D) Fixez le tuyau de vidange de 1/4 po du système OI à l'autre raccord cannelé à la base du robinet.
- (E) Glissez la plaque chromée et la rondelle en caoutchouc noire sur le robinet en faisant passer les deux tuyaux de vidange dans les orifices de la plaque et de la rondelle.
- (F) Glissez le séparateur blanc sur la longue partie fileté du robinet. L'extrémité ouverte du séparateur devrait être en contact avec la base du robinet.
- (G) Appliquez de trois à cinq couches de ruban pour conduit sur la tige du robinet. Vissez le raccord rapide sur l'embout fileté du robinet.
- (H) Humectez l'extrémité du tuyau de 3/8 po. Insérez le tuyau dans le bas du raccord rapide. Tirez doucement sur le tuyau afin de vous assurer qu'il est bien raccordé.
- NOTE :** Pour retirer le tuyau, appuyez sur le collier du raccord et tirez sur le tuyau.
- (I) En tenant le robinet, insérez le tuyau à travers le trou dans l'évier. Placez la poignée de robinet à l'endroit désiré.
- (J) Centrez le robinet et glissez le disque fendu entre le séparateur blanc et le dessous du comptoir ou de l'évier. Serrez l'écrou de manœuvre à l'aide d'une clé jusqu'au serrage complet.
- (K) Insérez fermement le col de cygne dans la base du robinet.

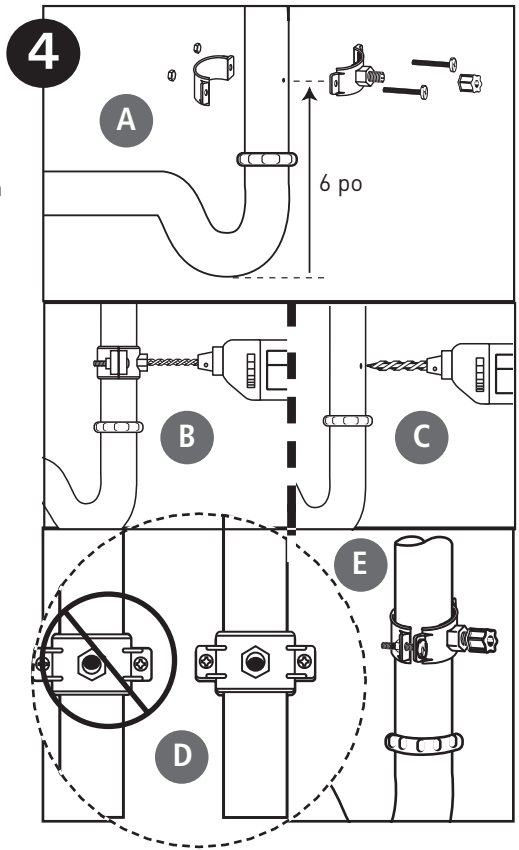


4. Installation du collier de serrage sur le tuyau d'évacuation

NOTE : Si vous avez un évier à un seul bac avec broyeur de déchets, communiquez avec le soutien technique pour connaître vos options.

NOTE : Avant d'installer le collier de serrage, vérifiez si les tuyaux d'évacuation qui se trouvent sous l'évier sont corrodés. Vous devez remplacer les tuyaux corrodés avant de poursuivre l'installation.

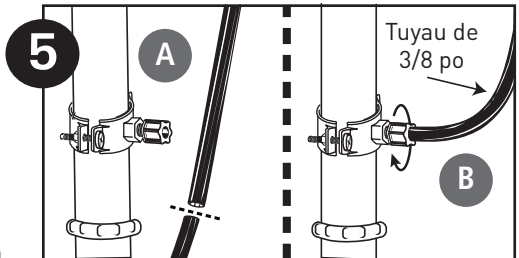
- (A) Fixez le collier de serrage à un tronçon vertical du tuyau d'évacuation, à environ 6 po au-dessus du siphon. Assurez-vous que l'ouverture du collier de serrage fait face au robinet d'eau potable (voir le schéma à la page précédente).
- (B) En utilisant le trou de montage du collier de serrage comme guide, percez un trou de 1/4 po sur un côté du tuyau d'évacuation.
- (C) Retirez le collier de serrage du tuyau d'évacuation et agrandissez le trou à l'aide d'une mèche de 3/8 po. Utilisez une lime pour adoucir les bords rugueux du trou.
- (D) Assurez-vous que la rondelle en caoutchouc noire est bien en place dans le collier de serrage et placez le collier de serrage sur le trou percé. Regardez par le trou et positionnez le collier de manière que son centre soit légèrement plus haut (1/16 po) que le centre du trou percé. Serrez le collier fermement.
- (E) Vissez l'écrou à compression en plastique sur le collier de serrage jusqu'à ce qu'il soit bien serré.



5. Raccordement du robinet au tuyau de vidange

MISE EN GARDE Il s'agit d'un tuyau de vidange par gravité. Vous devez éliminer les plis, les boucles et les angles vifs avant de poursuivre. À défaut de créer une trajectoire droite vers l'orifice de vidange, l'eau usée pourrait s'infiltrer par la coupure anti-retour située au-dessus du comptoir, en dessous du robinet.

- (A) Alignez le gros tuyau d'eau usée de 3/8 po relié au robinet sur l'écrou à compression situé sur le collier de serrage. Le parcours du tuyau doit être le plus droit et le plus direct possible. Ne pliez pas le tuyau. Coupez le tuyau d'équerre sous l'écrou et éliminez toutes les bavures internes et externes.
- (B) Desserrez l'écrou à compression de deux tours complets. Insérez le tuyau dans l'écrou jusqu'en butée. Serrez avec les doigts, puis serrez-le d'un tour ou deux tours à l'aide d'une clé.



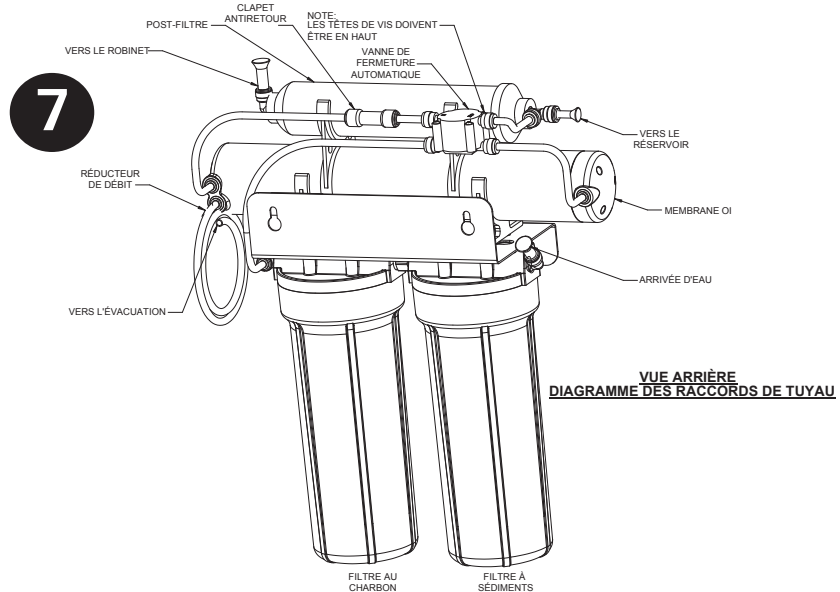
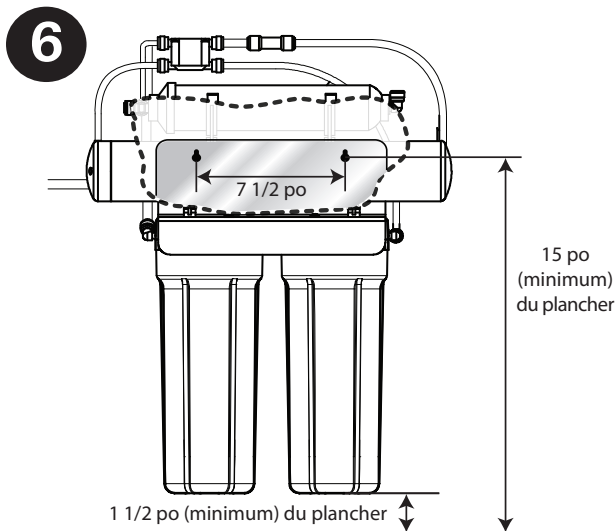
6. Installation des vis de montage

- (A) Si le système est installé sous l'évier de cuisine, placez-le contre le mur du fond ou le mur de droite. Prévoyez suffisamment d'espace pour l'installation. Pour le remplacement des cartouches filtrantes, il faut prévoir un dégagement d'au moins 1 1/2 pouce sous les cartouches filtrantes. Il faut également prévoir un dégagement d'au moins 2 pouces du côté gauche de l'appareil ou de 5 pouces par rapport au trou de vis de fixation du support de gauche.
- (B) Installez les vis de montage à au moins 15 pouces du plancher de l'armoire et espacez-les de 7 1/2 pouces. Laissez un espace de 5/16 pouce entre la tête de la vis et le mur afin de pouvoir glisser le support sur les vis.

NOTE : Les raccords de branchement de l'ensemble OI sont munis de bouchons qu'il faut retirer avant d'insérer le tuyau. Appuyez sur la baguette et retirez le bouchon.

7. Raccordement du robinet au système

- (A) Le tuyau de robinet qui part du bas du tuyau métallique fileté est inséré dans le post-filtre. Le raccord se trouve en haut à droite du système OI. Enfoncez l'extrémité libre du tuyau dans le raccord rapide.



VUE ARRIÈRE
DIAGRAMME DES RACCORDS DE TUYAU

INSTALLATION (SUITE)

8. Raccordement du réservoir de stockage au système

MISE EN GARDE Lorsque le réservoir est plein, il pèse environ 28,5 lb (12,9 kg). Prévoyez un appui suffisant sous le réservoir.

(A) Pour prévenir les fuites, appliquez trois tours ou plus de ruban à plomberie sur les filetages du réservoir. Vissez la vanne sur l'ouverture du réservoir. Tournez le réservoir de manière que la poignée soit alignée sur le tuyau.

MISE EN GARDE L'eau fuira entre la vanne et le réservoir si le raccord n'est pas étanche. Du ruban à plomberie permettra ordinairement d'assurer l'étanchéité du raccord fileté.

(B) Repérez le reste de tuyau de 1/4 po. Tracez une marque à 5/8 po de l'extrémité du tuyau. Humectez l'extrémité marquée du tuyau et insérez le tuyau en lui imprimant un mouvement de torsion dans l'orifice de la vanne du réservoir jusqu'à ce que la marque tracée à 5/8 po de l'extrémité se trouve vis-à-vis du raccord rapide. Placez ensuite le réservoir près de l'endroit où le système sera installé.

(C) Coupez le tuyau à la longueur voulue. Insérez l'extrémité libre du tuyau dans le raccord rapide en T blanc du post-filtre, du côté gauche. Assurez-vous que le tuyau n'est pas plié.

(D) Placez l'ensemble du système sur les vis de fixation au mur et faites-le glisser vers le bas.

MISE EN GARDE Assurez-vous que le système est solidement fixé au mur et qu'il ne risque pas de tomber et de subir des dommages.

NOTE : Veillez à ne pas plier ou écraser le tuyau à l'arrière du système lorsque vous fixez celui-ci aux vis de fixation.

9. Raccordement du système à l'adaptateur d'arrivée d'eau

(A) Repérez le reste de tuyau en plastique de 1/4 po.

(B) Tracez une marque à 5/8 po de l'extrémité du tuyau. Humectez l'extrémité marquée du tuyau et insérez le tuyau en lui imprimant un mouvement de torsion dans le raccord rapide du côté gauche du système. Selon l'installation, il peut être nécessaire d'enlever le système de la surface de montage pour accéder au côté gauche du système.

(C) Coupez le tuyau à la longueur nécessaire pour effectuer le raccordement à l'adaptateur d'arrivée d'eau. Assurez-vous que le tuyau n'est pas plié. Tracez une marque à 5/8 po de l'extrémité du tuyau. Humectez l'extrémité marquée du tuyau et insérez le tuyau en lui imprimant un mouvement de torsion dans le raccord rapide qui se trouve sur l'adaptateur d'arrivée d'eau.

10. Fonctionnement de la vanne

(A) Pour un débit régulé, abaissez la poignée de la vanne.

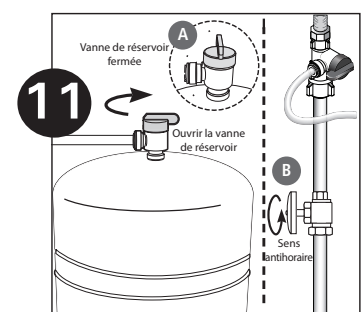
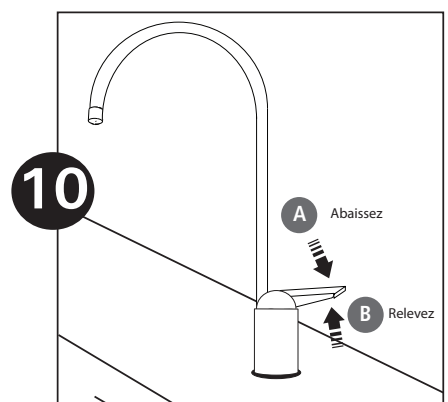
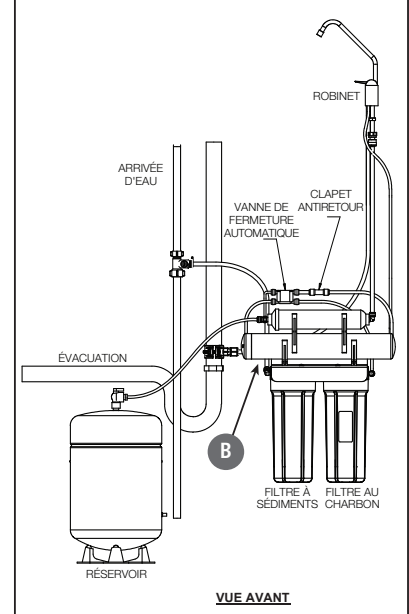
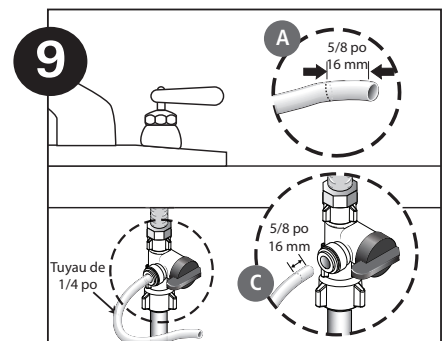
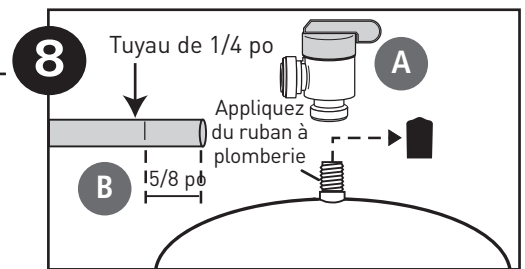
(B) Pour un débit d'eau constant, relevez la poignée de la vanne pour la verrouiller en position ouverte.

11. Démarrage du système

NOTE : La membrane d'osmose inverse est traitée au moyen d'un désinfectant de qualité alimentaire qui peut donner à l'eau une saveur désagréable. Bien que cette substance ne soit pas nocive, elle doit être éliminée du système.

NOTE : Le filtre de polissage post-filtration peut contenir de fines particules de noir de carbone. Ces particules sont inoffensives, mais elles peuvent donner à l'eau une teinte grise. Une fois que le système aura complètement rempli le réservoir d'eau traitée, il aura évacué ces particules fines.

NOTE : Le système OI ne produit pas sur demande un aussi grand volume d'eau que les systèmes de filtration ordinaires. L'eau est produite lentement, goutte à goutte. Il faut de deux à quatre heures au système pour remplir le réservoir de stockage. À mesure que de l'eau est prélevée du réservoir, le système amorce automatiquement le cycle de remplacement, puis arrête de produire de l'eau lorsque le réservoir est plein.



MISE EN GARDE Vérifiez visuellement l'ensemble du système à la recherche de fuites. Si vous décelez une fuite, consultez la section Dépannage à la page 38.

- (A) Fermez la vanne en haut du réservoir de stockage.
- (B) Ouvrez l'arrivée d'eau froide et assurez-vous que l'adaptateur d'arrivée est ouvert.
- (C) Relevez la poignée de la vanne pour la verrouiller en position ouverte et laissez l'eau goutter pendant 30 minutes.
- (D) Ouvrez complètement l'arrivée d'eau froide jusqu'en butée. Laissez l'eau goutter du robinet pendant 12 heures de plus. Fermez ensuite le robinet et ouvrez la vanne du réservoir de stockage. La vanne du réservoir est ouverte lorsque la poignée est alignée sur le raccord de tuyau.
- (E) Laissez le réservoir se remplir d'eau, ce qui prend trois heures. Continuez à vérifier périodiquement si l'installation présente des fuites. Une fois que le réservoir de stockage est plein, ouvrez le robinet pour rincer la cartouche de post-filtration. Attendez quatre à cinq minutes que toute l'eau soit évacuée du réservoir. Fermez le robinet et laissez le réservoir se remplir.
- (F) Répétez l'étape E à quatre reprises.

NOTE : Au départ, l'eau peut sembler trouble. Cette turbidité est causée par l'air emprisonné dans le filtre de polissage post-filtration. Elle ne présente pas de dangers et disparaîtra en quelques minutes. Il peut falloir jusqu'à une semaine après l'installation d'un nouveau filtre de polissage post-filtration pour que l'air emprisonné se dissipe.

Le système est prêt à fonctionner. Vous pouvez désormais bénéficier de l'eau de qualité produite par votre système à osmose inverse.

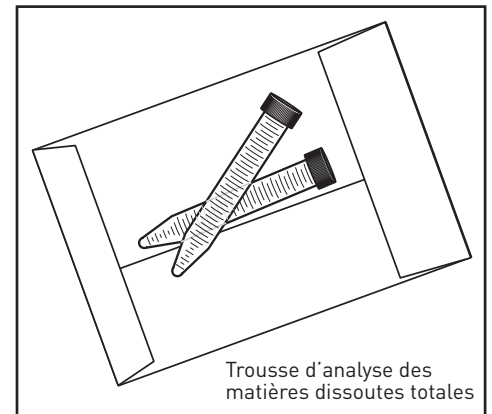
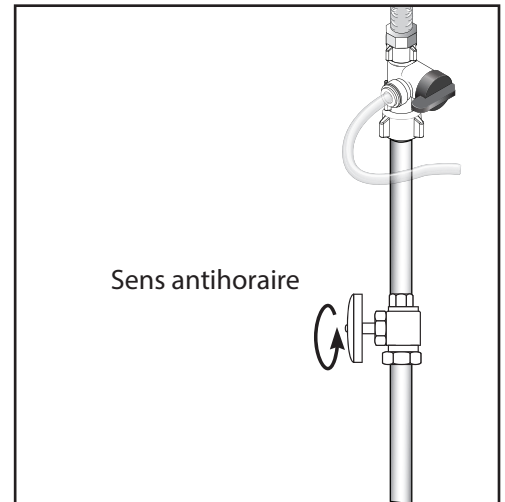
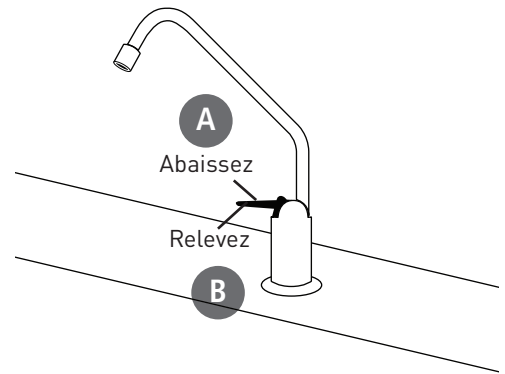
ESSAI DE VOTRE SYSTÈME À OSMOSE INVERSE

Système de filtration à osmose inverse GRO-2550 Analyse des matières dissoutes totales (MDT)

NOTE : Il est fortement recommandé que vous (le consommateur) fassiez analyser votre eau au moins tous les six mois afin de vous assurer que votre système fonctionne correctement.

INSTRUCTIONS D'ÉCHANTILLONNAGE :

Des instructions d'échantillonnage sont fournies dans votre trousse d'analyse des matières dissoutes totales (MDT).



AUTRE MÉTHODE D'INSTALLATION

Raccordement de votre système à osmose inverse à la machine à glaçons ou au rafraîchisseur d'eau de votre réfrigérateur

MISE EN GARDE Si vous raccordez cet appareil à la machine à glaçons de votre réfrigérateur au moment de l'installation initiale, attendez que le filtre de polissage post-filtration ait été rincé, comme il est indiqué à l'étape 11, avant de mettre en marche la machine à glaçons.

MISE EN GARDE Utilisez des tubes et des raccords en plastique. N'utilisez pas de tubes en cuivre ni de raccords en laiton.

NOTE : Pour un rendement optimal, la distance entre le système à osmose inverse et la machine à glaçons ou le rafraîchisseur d'eau du réfrigérateur ne devrait pas dépasser 10 pi (3 m). Lorsque cette distance est supérieure à 10 pieds, la pression d'eau du système peut ne pas être suffisante pour acheminer l'eau vers le réfrigérateur.

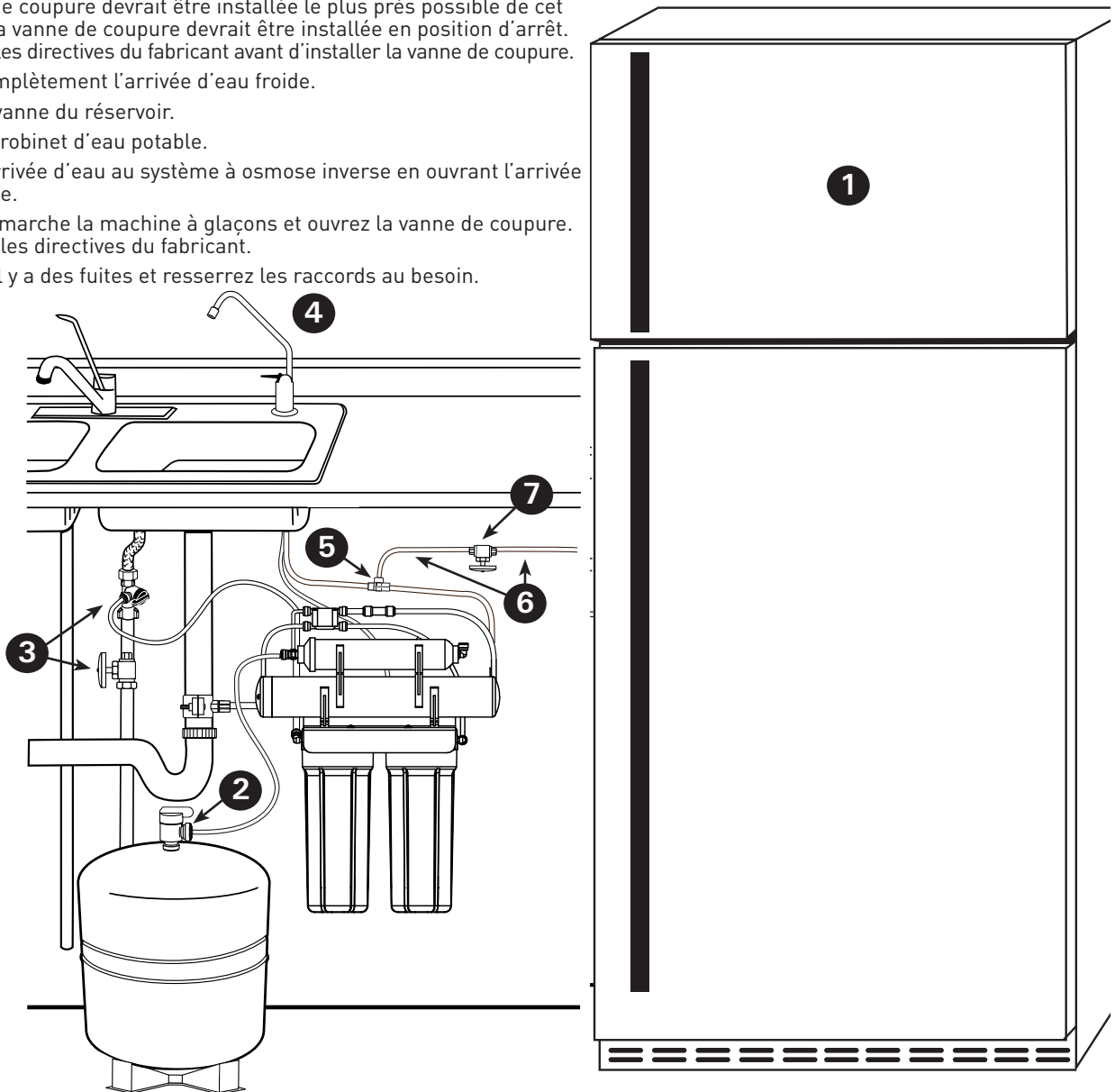
MATÉRIEL REQUIS (vendu à votre quincaillerie locale) :

- Té à compression ou à branchement rapide de 3/8 po x 3/8 po x 3/8 po (0,952 cm x 0,952 cm x 0,952 cm)
- Tuyau de polyéthylène de 10 pieds (3 m) de longueur, de 3/8 po (0,952 cm)
- Vanne de coupure

1. Fermez l'arrivée d'eau du réfrigérateur et la machine à glaçons (consultez les directives du fabricant).
2. Fermez la vanne du réservoir de stockage (sur le dessus du réservoir).
3. Coupez l'arrivée d'eau au système OI en fermant l'arrivée d'eau froide ou l'adaptateur d'arrivée d'eau.
4. Ouvrez le robinet d'eau potable pour réduire la pression.
5. Repérez le tuyau à perméat qui aboutit à votre robinet d'eau potable. Coupez et insérez le té à compression ou à branchement rapide de 3/8 po x 3/8 po x 3/8 po dans le tuyau à perméat. Consultez les directives du fabricant avant d'installer l'adaptateur d'arrivée.

NOTE : Lorsque vous coupez le tuyau à perméat, il se peut que de l'eau s'en échappe.

6. Au moyen d'un bout de tuyau en polyéthylène de 3/8 po, raccordez la conduite de la machine à glaçons ou du rafraîchisseur d'eau à l'embout libre du té à compression.
7. La vanne de coupure devrait être installée le plus près possible de cet embout. La vanne de coupure devrait être installée en position d'arrêt. Consultez les directives du fabricant avant d'installer la vanne de coupure.
8. Ouvrez complètement l'arrivée d'eau froide.
9. Ouvrez la vanne du réservoir.
10. Fermez le robinet d'eau potable.
11. Ouvrez l'arrivée d'eau au système à osmose inverse en ouvrant l'arrivée d'eau froide.
12. Mettez en marche la machine à glaçons et ouvrez la vanne de coupure. Consultez les directives du fabricant.
13. Vérifiez s'il y a des fuites et resserrez les raccords au besoin.

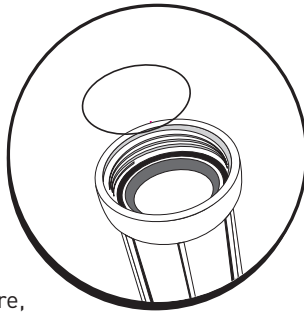


REPLACEMENT DES CARTOUCHES DE PRÉFILTRATION ET DE POST-FILTRATION

Cartouches de préfiltration (1re étape et 2e étape) : La cartouche devrait être remplacée tous les 6 à 12 mois. Si votre eau renferme une grande quantité de sédiments, il peut être nécessaire de remplacer plus souvent la cartouche de 1re étape. Si votre eau présente une concentration élevée en chlore, il peut être nécessaire de remplacer plus souvent le préfiltre de 2e étape.

1. Coupez l'arrivée d'eau et fermez la vanne du réservoir de stockage. Placez un bac sous le système pour recueillir l'eau qui s'écoule pendant le retrait des boîtiers de filtre.
2. Ouvrez le robinet pour réduire la pression.
3. Dévissez les boîtiers de filtre des couvercles. Utilisez la clé pour filtres. Mettez les cartouches filtrantes usées au rebut.
4. Retirez les joints toriques en plastique noir des rainures des boîtiers. Essuyez les rainures et les joints toriques; mettez les joints toriques de côté.
5. Rincez les boîtiers et remplissez-les au tiers d'eau. Ajoutez deux cuillerées à soupe de javellisant et récurvez les boîtiers à l'aide d'une brosse non abrasive ou d'une éponge. Rincez abondamment.
6. Lubrifiez chaque joint torique en appliquant une couche de graisse de silicone propre. Avec deux doigts, enfoncez fermement chaque joint torique dans la rainure, sous les filetages du boîtier.

MISE EN GARDE Le joint torique en caoutchouc forme un joint étanche à l'eau entre le couvercle et le fond du boîtier. Pour prévenir les fuites d'eau, il est important que le joint torique soit bien emboîté dans la rainure, sous le filetage du boîtier.



7. Insérez les cartouches dans le fond des boîtiers. Assurez-vous que la cartouche glisse autour du tube vertical au fond du boîtier.

NOTE : Assurez-vous de placer les cartouches dans les bons boîtiers (voir le schéma ci-dessous).

8. Vissez le fond des boîtiers sur les couvercles en évitant de trop serrer. Ouvrez l'arrivée d'eau froide. Vérifiez la présence de fuites. Continuez à vérifier périodiquement s'il n'y a pas de nouvelles fuites.

Cartouche de post-filtration de 4e étape : le post-filtre devrait être remplacé tous les douze mois.

1. Coupez l'arrivée d'eau et fermez la vanne du réservoir de stockage. Placez un bac sous le système pour recueillir l'eau qui s'écoule pendant le retrait des boîtiers de filtre.

2. Ouvrez le robinet pour réduire la pression.

3. Retirez le filtre du support et mettez-le au rebut.

4. Retirez les tuyaux des raccords appuyant sur la bague qui entoure le raccord et en tirant sur le tuyau de l'autre main.

NOTE : Si des raccords rapides doivent être installés, appliquez 3 couches de ruban sur le filetage des raccords et fixez ceux-ci au filtre.

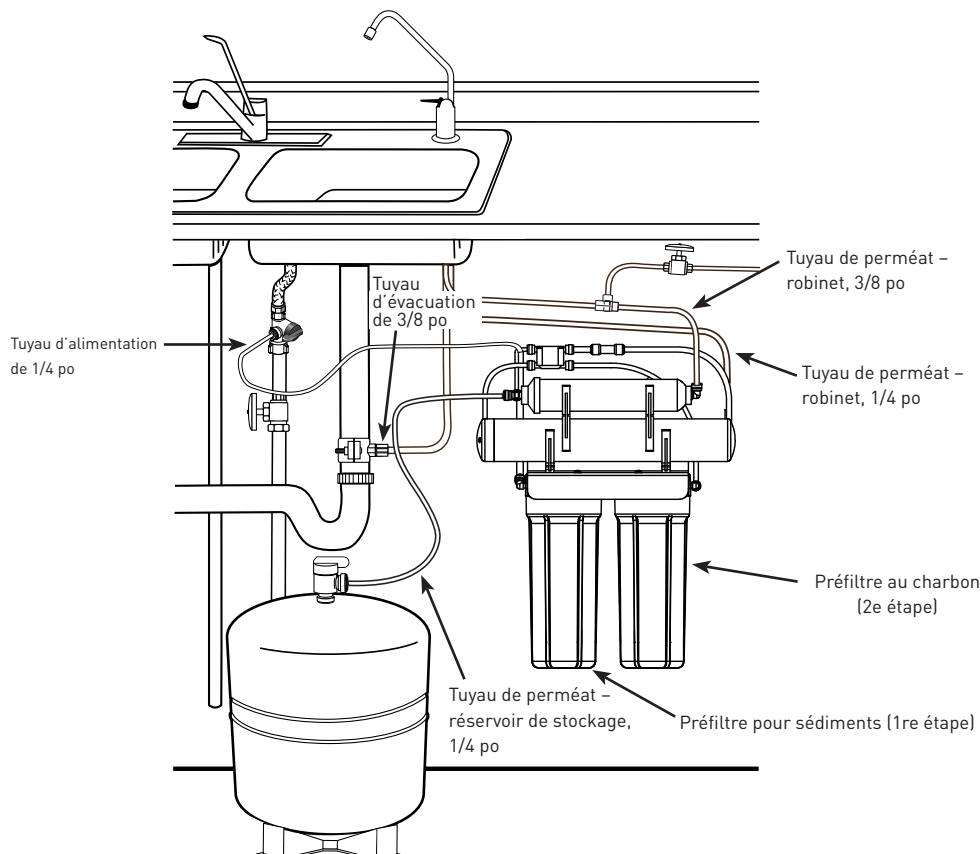
MISE EN GARDE Afin de prévenir les fuites, assurez-vous que le ruban ne touche pas le joint torique du raccord.

NOTE : La flèche marquée sur le filtre indique le sens d'écoulement. Le raccord en T est installé sur le côté admission du filtre et le raccord coudé, sur le côté refoulement.

NOTE : Serrez les raccords à la main, puis serrez-les d'un quart de tour à l'aide d'une clé.

5. Fixez le filtre de 4e étape au support, le raccord en T du côté droit.

6. Fixez les tuyaux aux raccords en les insérant jusqu'en butée. Vérifiez si le tuyau est bien en place en le tirant doucement.



REEMPLACEMENT DE LA MEMBRANE D'OSMOSE INVERSE (3E ÉTAPE)

À propos de la membrane d'osmose inverse

Lorsque le système est utilisé dans les conditions de service recommandées à la page 29 du manuel, votre membrane d'osmose inverse devrait durer au moins un an. Vous devriez remplacer la membrane tous les 18 à 24 mois. Remplacez-la plus souvent si vous remarquez le retour du goût ou de l'odeur désagréable ou une baisse notable de production d'eau. La durée de vie de la membrane dépendra de la qualité de l'eau qui entre dans le système et de la fréquence d'utilisation du système. Une utilisation fréquente du système prévient l'accumulation de sels et de minéraux filtrés sur la membrane sous forme de tartre. Plus le système doit produire d'eau, plus la membrane durera longtemps. Vous pouvez utiliser votre système pour de nombreux usages et prolonger ainsi la vie utile de la membrane.

NOTE : Si le système demeure inutilisé pendant plus de deux ou trois jours, il faut vider le réservoir de stockage.

Remplacement de la membrane et des filtres

NOTE : Lorsque vous installez une nouvelle membrane GRO et un régulateur de débit, il est recommandé de remplacer aussi les cartouches de préfiltration et de post-filtration.

- Coupez l'arrivée d'eau froide. Laissez le système se dépressuriser pendant cinq minutes. Placez un bac sous le système pour recueillir l'eau qui s'écoule pendant le retrait des boîtiers de filtre.
- Ouvrez le robinet d'eau potable afin de vider le réservoir. Lorsque le réservoir est vide, fermez le robinet.
- Débranchez les tuyaux de l'élément GRO. Installez le nouvel élément GRO, le clapet antiretour de perméat et le régulateur de débit capillaire d'eau usée.
- Dévissez les boîtiers de filtre des couvercles et mettez au rebut les cartouches usées.
- Retirez les joints toriques en plastique noir des rainures des boîtiers. Essuyez les joints toriques. Pour remplacer les filtres, voir la section Remplacement des préfiltres et du post-filtre, à la page 36.
- Lubrifiez les joints toriques en appliquant une couche de graisse de silicone propre. Avec deux doigts, enfoncez fermement chaque joint torique dans la rainure, sous les filetages du boîtier.

MISE EN GARDE Le joint torique en caoutchouc forme un joint étanche à l'eau entre le couvercle et le fond du boîtier. Pour prévenir les fuites d'eau, il est important que le joint torique soit bien emboîté dans la rainure, sous le filetage du boîtier.

NOTE : Après avoir installé un nouvel élément GRO, un régulateur de débit et de nouvelles cartouches, laissez le système fonctionner pendant trois heures afin de remplir le réservoir. Vérifiez la présence de fuites toutes les heures. À mesure que le réservoir monte en pression, il peut survenir des fuites qui n'étaient pas présentes immédiatement après l'installation. Lorsque l'élément OI et les cartouches ont été remplacés, suivez la procédure décrite à l'étape 11 : Démarrage du système.

Procédure de désinfection

- Coupez l'alimentation en eau du système OI et ouvrez le robinet de l'osmoseur pour vider le réservoir de stockage.
- Débranchez le tuyau de la vanne de coupure sur le réservoir de stockage.
- À l'aide d'un compte-gouttes propre, insérez une demi-cuillerée à thé de javellisant à usage domestique dans le tuyau bleu. Le javellisant circulera ainsi dans le réservoir lorsque l'alimentation en eau de l'appareil sera rétablie. Rebranchez le tuyau à la vanne de coupure sur le réservoir de stockage. Suivez la procédure de démarrage.

GUIDE DE DÉPANNAGE

Fuites entre le fond du boîtier et le couvercle.

1. Assurez-vous que le bac de décantation est fermement vissé au couvercle. Si les fuites persistent, coupez l'arrivée d'eau froide et fermez la vanne du réservoir.
2. Nettoyez le joint torique en caoutchouc noir et lubrifiez-le à l'aide de graisse de silicone propre. Avec deux doigts, insérez le joint torique dans la rainure, sous les filetages du boîtier, et appuyez fermement pour le mettre en place. Révissez le boîtier sur le couvercle.
3. Ouvrez l'arrivée d'eau froide et la vanne du réservoir.
Si la fuite persiste, communiquez avec le soutien technique.

Fuites à l'emplacement de la vanne du réservoir

1. Ouvrez le robinet d'eau potable afin de vider le réservoir de stockage. Laissez couler l'eau potable jusqu'à ce qu'elle goutte. Coupez l'arrivée d'eau froide.
2. Appuyez sur la bague blanche du raccord de la vanne du réservoir et retirez le tuyau. Dévissez la vanne du réservoir de stockage. Appliquez de nouveau du ruban à plomberie sur les filetages au sommet du réservoir. Révissez la vanne sur le réservoir. Coupez 1/2 po de l'extrémité du tuyau et réinsérez le tuyau dans le raccord de la vanne du réservoir sur une longueur de 5/8 po.
3. Ouvrez l'arrivée d'eau froide et fermez le robinet de l'osmoseur. Laissez le système monter en pression pendant plusieurs heures et vérifiez s'il y a des fuites. Vérifiez de nouveau une fois que le réservoir est entièrement sous pression.

Fuites à l'emplacement des raccords rapides

1. Fermez l'arrivée d'eau froide et la vanne du réservoir.
2. Appuyez sur la bague en plastique et retirez le tuyau.
3. Coupez 1 po du tuyau et tracez une marque à 5/8 po de l'extrémité. Le tuyau doit être coupé d'équerre. Les bavures internes et externes doivent être enlevées.
4. Insérez le tuyau dans le raccord sur une longueur de 5/8 po.
5. Ouvrez l'arrivée d'eau froide et la vanne du réservoir. Si la fuite persiste, communiquez avec le soutien technique.

Débit nul ou faible dans la conduite de saumure (évacuation)

Moins d'une tasse et demie par minute

NOTE : Avant de vérifier le débit de saumure (ou eau usée), assurez-vous que le système produit de l'eau en fermant la vanne du réservoir de stockage et en ouvrant le robinet. L'eau doit goutter du robinet.

1. Examinez les préfiltres. S'ils sont obstrués, remplacez-les (voir la section Remplacement des préfiltres et du post-filtre, à la page 29) et vérifiez de nouveau le débit de saumure (ou eau usée).
2. Si les préfiltres fonctionnent correctement, il se peut que le régulateur de débit de saumure (ou d'évacuation) soit colmaté. Communiquez avec le soutien technique.

Teneur élevée en MDT dans l'eau filtrée

Si un conductimètre ou une analyse des MDT (trousse fournie avec le système) indique de fortes concentrations de MDT (matières dissoutes totales) dans l'eau filtrée (environ 30 % ou plus de la concentration mesurée dans l'eau du robinet), il se peut que l'élément GRO doive être remplacé ou que le tuyau du régulateur de débit de saumure (eau usée) soit colmaté. Demandez à votre détaillant ou à un plombier de vérifier la teneur en MDT de l'eau filtrée.

Baisse de la production

Un débit nul ou faible d'eau filtrée indique généralement un colmatage du préfiltre ou une membrane saturée. Remplacez d'abord les préfiltres. Si le débit de production ne s'améliore pas, remplacez la membrane.

Retour graduel du goût et de l'odeur

Le retour graduel du goût et de l'odeur désagréable peut indiquer que vos cartouches filtrantes ou la membrane OI doivent être remplacées. Voir les sections Remplacement des préfiltres, à la page 36, et Remplacement de la membrane d'osmose inverse, à la page 37.

Retour soudain du goût et de l'odeur

Si, peu après une révision complète, le goût et les odeurs reviennent, communiquez avec le soutien technique.

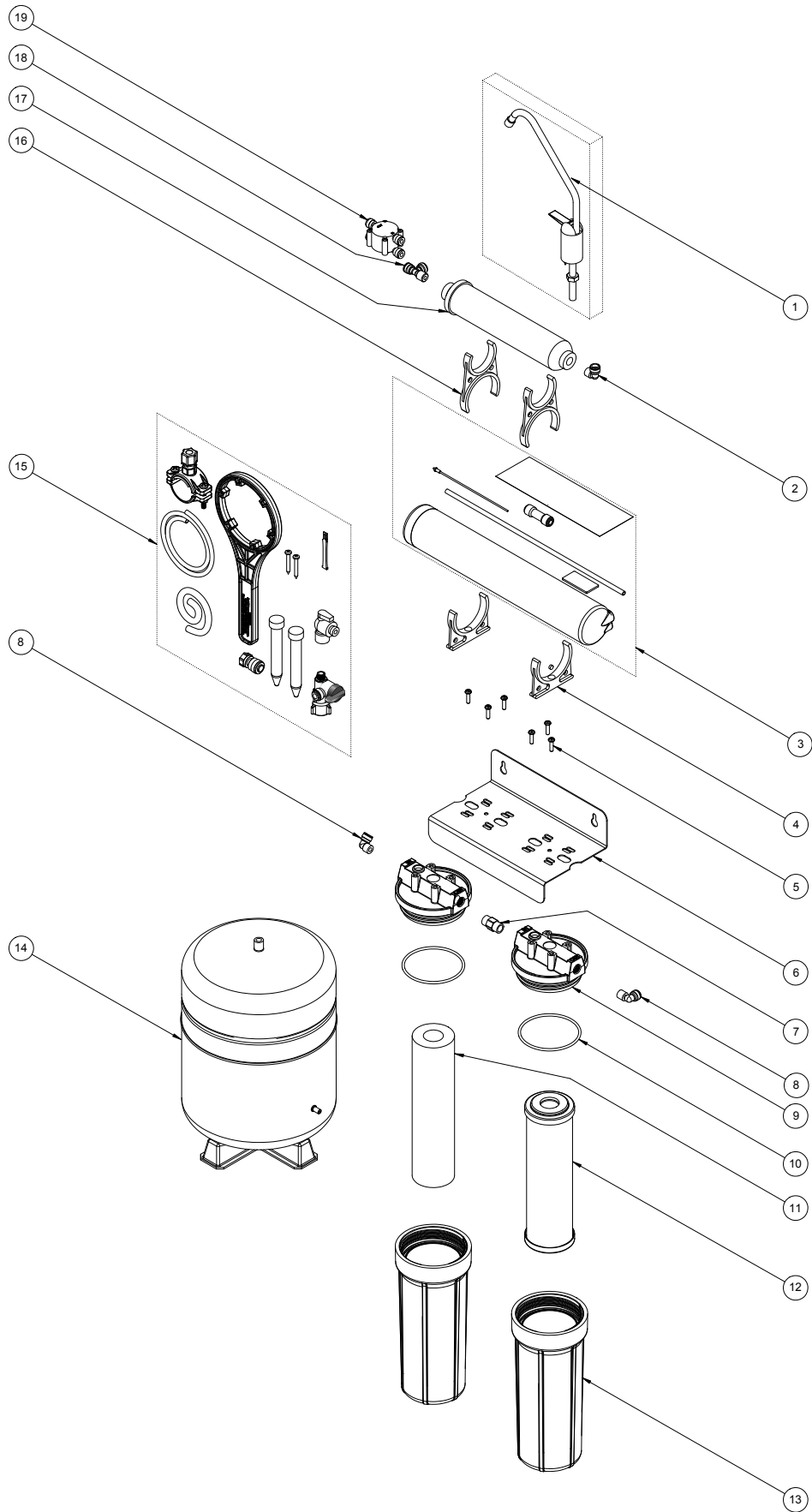
Absence de pression d'eau dans le robinet d'eau potable ou faible volume d'eau dans le réservoir

1. Fermez l'arrivée d'eau froide au système.
2. Soulevez le réservoir de stockage pour vérifier s'il est vide. S'il ne l'est pas, ouvrez le robinet d'eau potable pour évacuer l'eau du réservoir.

NOTE : Il peut être nécessaire d'injecter une petite quantité d'air dans le réservoir à l'aide d'une pompe à vélo afin d'évacuer toute l'eau.

3. Une fois le réservoir vide, utilisez un manomètre pour vérifier la pression du réservoir. La pression à l'intérieur d'un réservoir vide devrait se situer entre 5 et 7 lb/po². Augmentez ou diminuez la pression d'air à l'intérieur du réservoir en conséquence.
4. Ouvrez l'arrivée d'eau froide. Laissez le système fonctionner pendant trois heures afin de remplir le réservoir, puis vérifiez le rendement du système. Si le rendement ne s'est pas amélioré, communiquez avec le soutien technique.

GUIDE DES PIÈCES



Pour obtenir des pièces de rechange, communiquez avec le détaillant de filtres à eau le plus près de chez vous ou composez le **1 800 279-9404**.

GUIDE DES PIÈCES (SUITE)

NUMÉRO D'ARTICLE	NUMÉRO DE PIÈCE	DESCRIPTION	QTÉ
1	244820	ROBINET	1
2	244834	COUDE, TUYAU DE 3/8 PO, RACCORDEMENT RAPIDE	1
3	4004424	GRO-EN AVEC RÉGULATEUR DE DÉBIT D'ÉVACUATION, 3ER ÉTAPE	1
4	BPRO-50-S17	CLIP, SIMPLE	2
5	PW-80-09	VIS DE SUPPORT	6
6	244784	SUPPORT, ACIER	1
7	244791	MAMMELON, 1/4 PO NPT x 1/4 PO NPT	1
8	244788	COUDE, TUYAU DE 1/4 PO, RACCORDEMENT RAPIDE	2
9	154062	BOUCHON, SLIM LINE, 1/4 PO NPT	2
10	143026	JOINT TORIQUE, BAC DE DÉCANTATION	2
11	155014-43	PRÉFILTRE POUR SÉDIMENT, 1RE ÉTAPE, 5 MICRONS	1
12	155634-43	PRÉFILTRE AU CHARBON, 2E ÉTAPE	1
13	153049	BAC DE DÉCANTATION NO 10, BLANC	2
14	244833	RÉSERVOIR DE STOCKAGE, OI	1
15	244982	TROUSSE D'INSTALLATION, SYSTÈME OI ÉCOLOGIQUE	1
16	BPRO-50-S18	CLIP, DOUBLE	2
17	255521-43	POST-FILTRE CAG, 4E ÉTAPE	1
18	244790	TÉ, TUYAU DE 1/4 PO NPT X 1/4 PO, RACCORDEMENT RAPIDE	1
19	244787	VANNE, FERMETURE AUTO	1

Acheteur

Vendeur

Date

DONNÉES SUR LA PERFORMANCE

IMPORTANT :

Lisez les données de performance et comparez les capacités du système à vos besoins de traitement d'eau.

Il est recommandé de faire analyser l'eau d'alimentation avant d'installer un système de traitement d'eau afin de déterminer vos besoins réels de traitement d'eau.

Ce système a été mis à l'essai en regard de la norme NSF/ANSI 58 pour la réduction des substances indiquées ci-dessous. La concentration des substances indiquées dans l'eau entrant dans le système a été réduite à une concentration inférieure ou égale à la limite autorisée pour l'eau sortant du système, conformément à la norme NSF/ANSI 58.

AVERTISSEMENT : N'utilisez pas le système avec de l'eau insalubre microbiologiquement ou de qualité inconnue sans désinfection adéquate en amont ou en aval du système. Les systèmes homologués pour réduction de spores peuvent être utilisés avec de l'eau désinfectée pouvant contenir des spores filtrables.

NOTE : Les substances réduites ne sont pas forcément présentes dans votre eau. Le filtre doit être entretenu conformément aux directives du fabricant, y compris le remplacement des cartouches filtrantes.

L'efficacité éprouvée de ces systèmes est de 15,39 %.

L'efficacité est la mesure du pourcentage de l'eau brute pénétrant dans le système qui est fournie à l'utilisateur sous forme d'eau traitée par osmose inverse dans des conditions de service qui simulent l'usage quotidien type.

Le taux de récupération éprouvé est de 31,76 %. La récupération est la mesure du pourcentage de l'eau brute qui traverse la membrane du système et qui est fournie à l'utilisateur sous forme d'eau traitée par osmose inverse lorsque le système fonctionne sans réservoir de stockage ou que le réservoir est contourné.

EPA N° 082989-CHN-001

Taux de production du système : 10,09 gal/j (38,19 L/j)

Taux de récupération : 31,76 %

Efficacité : 15,39 %

Rejet de MDT : 96,8 %



Système mis à l'essai et homologué par NSF International en regard des normes NSF/ANSI 58 et CSA B483.1 pour la réduction des substances indiquées dans la fiche technique du produit.

SYSTÈME GRO-2550 MUNI DE CARTOUCHES FILTRANTES P5, EPM-10, GRO-50EN ET GS-10R0

Modèle GRO-2550

Substance	Concentration infiltrante	Concentration maximale admissible dans l'eau filtrée	Exigences de réduction	Réduction moyenne
Norme 58				
Matières dissoutes totales	750 ± 40 mg/L	187 mg/L		96,8 %
Kystes*	Minimum de 50 000/mL		99,95 %	> 99,99 %

*Certifié selon la norme NSF/ANSI 58 pour réduire les kystes comme *Cryptosporidium* et *Giardia* par des moyens mécaniques.

For Pentair Product Warranties visit: }
Pentair para las garantías de los productos visite: } **waterpurification.pentair.com**
Pour Pentair garanties produit visitez le site: }



13845 BISHOPS DR., SUITE 200, BROOKFIELD, WI 53005
WATERPURIFICATION.PENTAIR.COM | CUSTOMER CARE: 800.279.9404 | tech-support@pentair.com

© 2018 Pentair Residential Filtration, LLC. All rights reserved.

§For a detailed list of where Pentair trademarks are registered, please visit waterpurification.pentair.com/brands. Pentair trademarks and logos are owned by Pentair plc or its affiliates. Third party registered and unregistered trademarks and logos are the property of their respective owners.

247855 REV D FE18