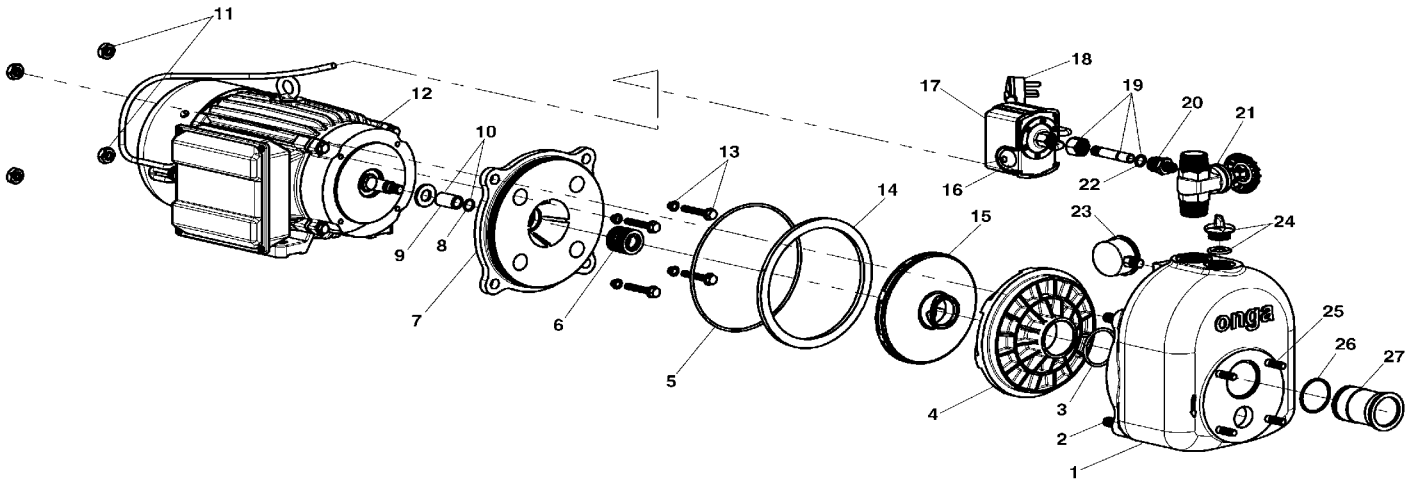


OJ700 & OJ800 Models



Spare Parts

REF NO.	DESCRIPTION	OJ700		OJ800	
		PART NUMBER		PART NUMBER	
1	CASING & STUDS ASSY.	800080	1PC	800080	1PC
2	CASING STUD (PK 10)	800113	4PC	800113	4PC
3	O'RING DIFFUSER (PK 5)	700219K	1PC	700219K	1PC
4	DIFFUSER	301431K	1PC	401580K	1PC
5	O'RING CASING	702165K	1PC	702165K	1PC
6	SEAL KIT (INC. SEAL + 9 & 10)	800890K	1PC	800890K	1PC
7	YOKE	301270GN	1PC	301270GN	1PC
8	O'RING SHAFT SLEEVE (PK 5)	702200K	1PC	702200K	1PC
9	SHAFT SLEEVE	-	1PC	-	1PC
10	SHAFT SLEEVE ASSY. (INC. 8 & 9)	800895K	1PC	801007K	1PC
11	NUT (PK 12)	800093K	4PC	800093K	4PC
12	MOTOR - 1Ø	800445	1PC	800446	1PC
12	MOTOR - 3Ø	800447	1PC	800449	1PC
13	BOLT (PK 12)	800242K	4PC	800242K	4PC
14	BAFFLE	401322	1PC	401323	1PC
15	IMPELLER - 1PH	506480K	1PC	500070K	1PC
15	IMPELLER - 3PH	506489K	1PC	500079K	1PC
NS	IMPELLER NUT (3PH)	603250	1PC	603250	1PC
17	PRESSURE SWITCH ASSY. (INC. LEAD)	801457	1PC	801449	1PC
19	MOUNTING ASSY.	800236K	1PC	800236K	1PC
20	MOUNTING NIPPLE	503510	1PC	503510	1PC
21	GATE VALVE	500490	1PC	500490	1PC
NS	TEE - 1" BSP BRASS	700280	1PC	700280	1PC
22	O'RING - MOUNTING ASSY.	702172	1PC	702172	1PC
23	PRESSURE GAUGE	700240	1PC	700240	1PC
24	PRIMING PLUG & O'RING	800017K	1PC	800017K	1PC
25	STUD (PK 10)	800114	4PC	800114	4PC
26	O'RING - SPIGOT (PK 5)	702210K	1PC	702210K	1PC
27	SPIGOT	507011	1PC	507011	1PC
NS	HOUSING BASESHAFT ASSY.	800221	1PC	800221	1PC

Drawings are indicative only, product appearance may change slightly.