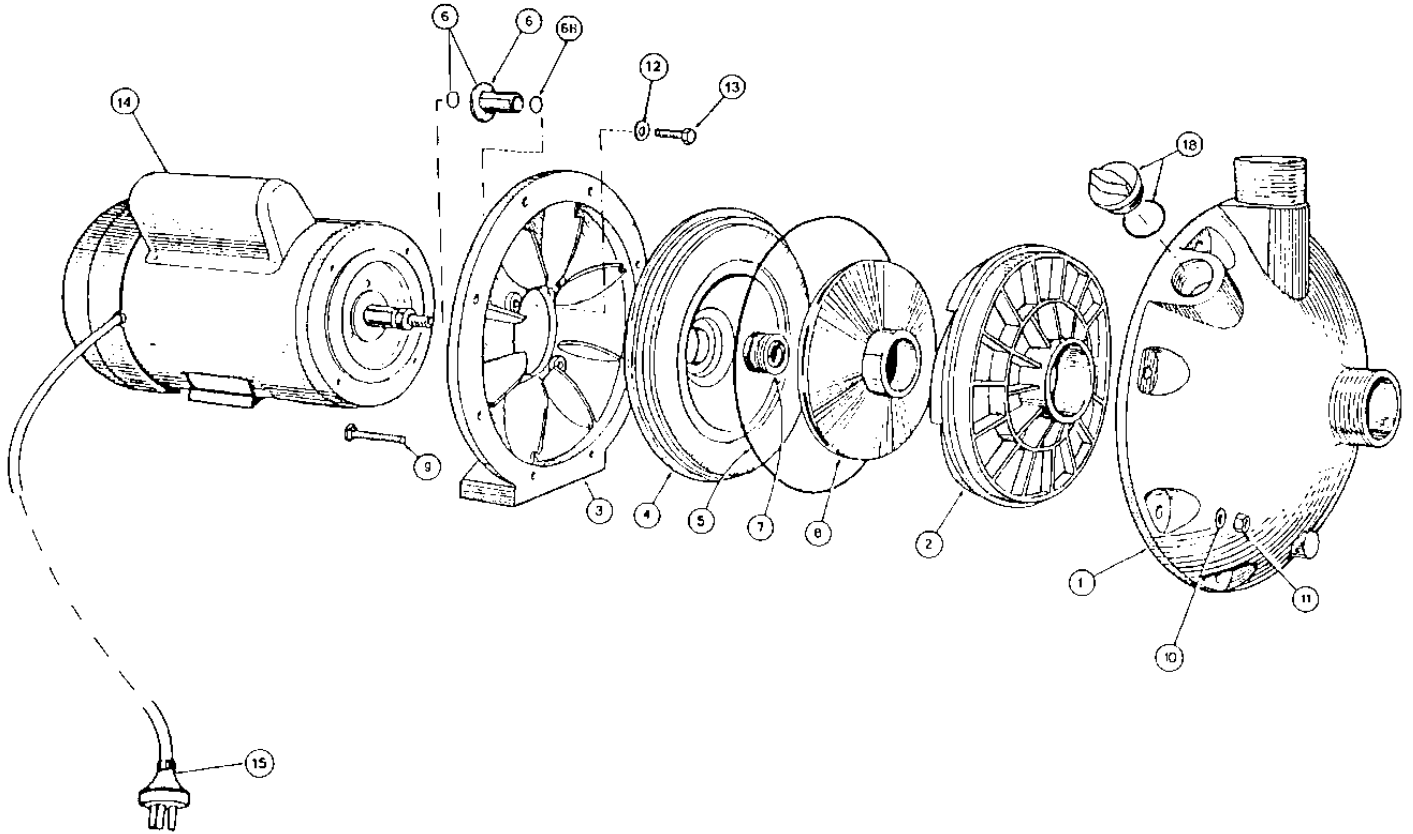


142, 143, 147 & 148 RANGE



Drawings are indicative only, product appearance may change slightly.

# PARTS LIST TABLE

## Spare Parts

| MODEL PART NUMBER | 142    | 143    | 147    | 148    |
|-------------------|--------|--------|--------|--------|
|                   | 314200 | 314300 | 314700 | 314800 |
|                   | 314230 | 314330 |        |        |

| REF NO. | DESCRIPTION                 | PART NO. |     | PART NO. |     | PART NO. |     | PART NO. |     |
|---------|-----------------------------|----------|-----|----------|-----|----------|-----|----------|-----|
|         |                             |          |     |          |     |          |     |          |     |
| 1       | CASING                      | 301106   | 1PC | 301106   | 1PC | 301106   | 1PC | 301106   | 1PC |
| 2       | DIFFUSER                    | 301431K  | 1PC | 301481K  | 1PC | 301431K  | 1PC | 301431K  | 1PC |
| 3       | YOKE                        | 402061   | 1PC | 402061   | 1PC | 402061   | 1PC | 402061   | 1PC |
| 4       | BAFFLE                      | 403501   | 1PC | 403421   | 1PC | 403501   | 1PC | 403501   | 1PC |
| 5       | O'RING CASING               | 702180K  | 1PC | 702180K  | 1PC | 702180K  | 1PC | 702180K  | 1PC |
| 6       | SHAFT SLEEVE & O'RING KIT   | 800895K  | 1PC | 801007K  | 1PC | 800895K  | 1PC | 800895K  | 1PC |
| 6b      | O'RING SHAFT SLEEVE (PK 10) | 702218K  | 1PC | -        | 1PC | 702218K  | 1PC | 702218K  | 1PC |
| 7       | SEAL KIT (INC. SEAL + 6)    | 800583   | 1PC | 800890K  | 1PC | 800583   | 1PC | 800583   | 1PC |
|         | SEAL (PK 25)                | 800900   | 1PC | 800900   | 1PC | 800900   | 1PC | 800900   | 1PC |
| 8       | IMPELLER - 1PH              | 506353K  | 1PC | 503843K  | 1PC | 507103   | 1PC | 506353K  | 1PC |
|         | IMPELLER - 3PH              | 801231K  | 1PC | 503849K  | 1PC | -        | 1PC | -        | 1PC |
| 9       | COACH BOLT (PK 10)          | 800254   | 8PC | 800254   | 8PC | 800254   | 8PC | 800254   | 8PC |
| 10      | WASHER (PK 20)              | 800151   | 8PC | 800151   | 8PC | 800151   | 8PC | 800151   | 8PC |
| 11      | NUT (PK 12)                 | 702025K  | 8PC | 702025K  | 8PC | 702025K  | 8PC | 702025K  | 8PC |
| 12      | WASHER (PK 20)              | 800151   | 4PC | 800151   | 4PC | 800151   | 4PC | 800151   | 4PC |
| 13      | SCREW (PK 10)               | 800097   | 4PC | 800097   | 4PC | 800097   | 4PC | 800097   | 4PC |
| 14      | MOTOR - 1PH                 | 800445   | 1PC | 800446   | 1PC | 801015   | 1PC | 801015   | 1PC |
|         | MOTOR - 3PH                 | 800447   | 1PC | 800449   | 1PC | -        | 1PC | -        | 1PC |
| NS      | NUT DOMED 3PH MOTOR 3/4IN   | 603250   | 1PC | 603250   | 1PC | -        | 1PC | -        | 1PC |
| 15      | LEAD                        | 608200K  | 1PC | 608200K  | 1PC | 608200K  | 1PC | 608200K  | 1PC |
| 16      | PRIMING PLUG & O'RING       | 800017K  | 1PC | 800017K  | 1PC | 800017K  | 1PC | 800017K  | 1PC |