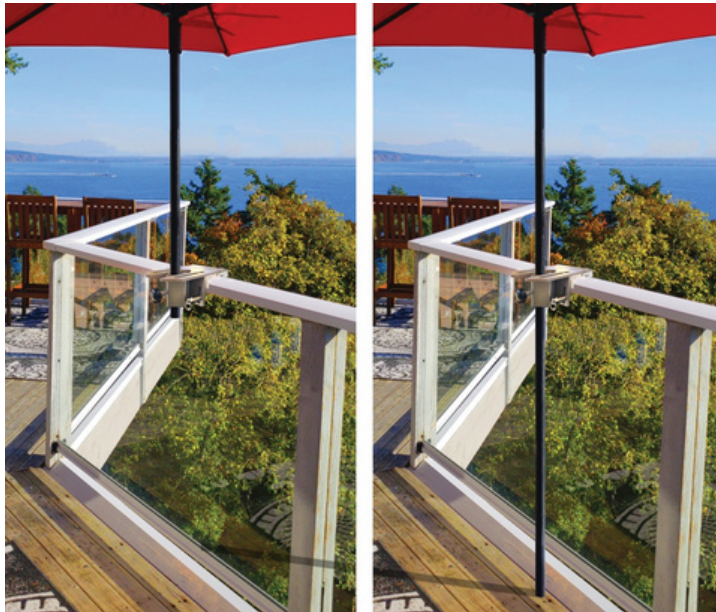


NOTE: For additional support on larger items or if sudden gusts of wind are a concern, we suggest using the Rail-EZ in the extended position so the pole makes contact with the deck.



Suspended

Extended

If your umbrella pole does not reach all the way to the deck, please visit the troubleshooting page on our website to see some quick and simple solutions to solve this problem.

Dos and Don'ts

- ⚠️ **Don't** leave your umbrella up in windy conditions, it may cause damage.
- ⚠️ **Don't** use Rail-EZ on unstable railings. If your railing is not strong enough to support leaning on it, it's an unstable railing.
- ✅ **DO** feel free to leave your Rail-EZ (without umbrella) on the railing as it is corrosion resistant and can withstand any kind of weather.
- ✅ **DO** feel free to move the Rail-EZ to different areas of your railing to create the best shade.
- ✅ **DO** feel free to re-adjust Rail-EZ to fit on different railing sizes.
- ✅ **DO** use the full umbrella pole so it touches the deck for larger umbrellas

We are here to help! If you have any questions please email us at csmanager@rail-ez.com **www.Rail-EZ.com**



Made in the shade by
**BRANDREW
INNOVATIONS INC**

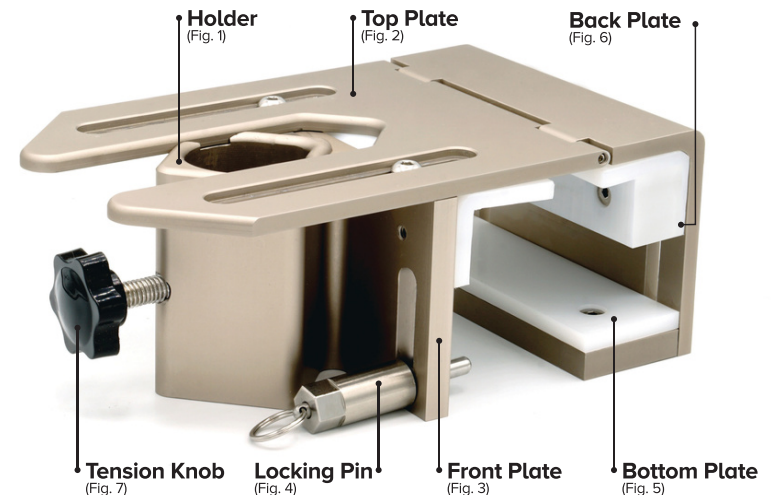
Rail-EZ is manufactured and distributed by Brandrew Innovations Inc.
202 - 15388 24th Ave, Surrey BC V4A 2J2
Patent Pending. US Application #16/533,788
©2022 Made in China



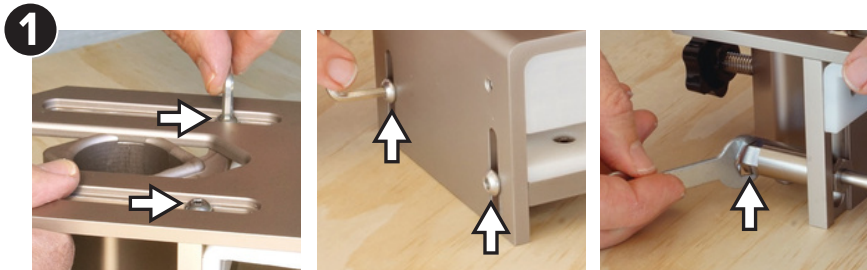
Rail-EZ is designed to easily adjust to fit most railing sizes. Go to rail-ez.com to see complete instructional video, tips and ideas on how to use your Rail-EZ for umbrellas and so much more!

Important! Before attempting to insert anything into your new Rail-EZ, you need to first securely mount it to your railing by following these instructions. Incorrect installation may cause damage.

Anatomy of the Rail-EZ:

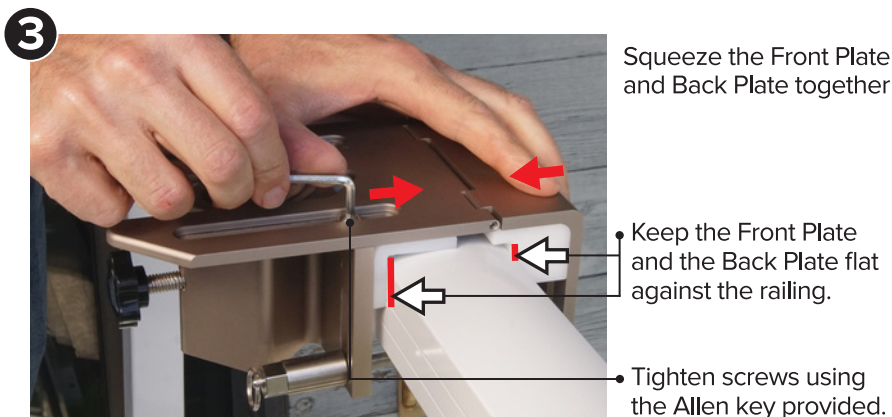


NOTE: There are 5 simple adjustment points to custom fit the Rail-EZ to your railing: 2 on the **Top Plate** (Fig. 2), 2 on the **Bottom Plate** (Fig. 5), and the **Locking Pin** (Fig. 4)



Loosen the 5 adjustment points using the Allen key and wrench provided.

2 Place the Rail-EZ loosely on your railing.



Squeeze the Front Plate and Back Plate together

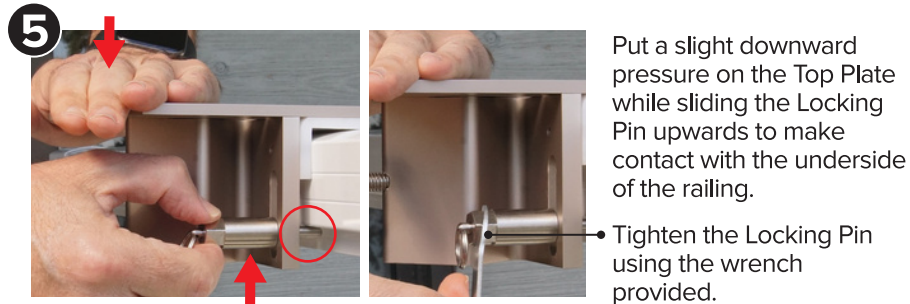
Keep the Front Plate and the Back Plate flat against the railing.

Tighten screws using the Allen key provided.



Squeeze the Top Plate and Bottom Plate together bringing the Bottom Plate up tight under the railing.

Tighten screws using the Allen key provided.



Put a slight downward pressure on the Top Plate while sliding the Locking Pin upwards to make contact with the underside of the railing.

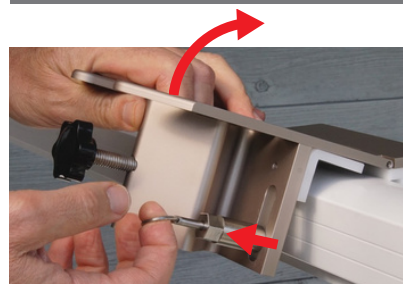
Tighten the Locking Pin using the wrench provided.

6 **Your Rail-EZ is now ready to use!**



You can insert any pole up to 1 1/2" in diameter

Tighten the tension knob to hold the pole in place



To remove or relocate your Rail-EZ is well... real EZ!

Just pull the pin, lift the Rail-EZ off the rail and reposition or remove.



Rail-EZ can hold a pole up to 1 1/2" in diameter so it works great for more than just umbrellas, try using with 2 poles for a fast solution to installing a Shade Sail on your patio, deck or balcony!