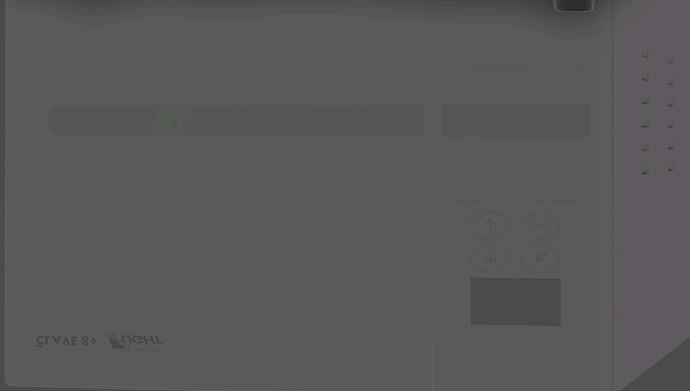




**12**  
MINUTE  
CYCLE

CLAVE8+  
**AUTOCLAVE**  
ULTRA FAST CLASS S



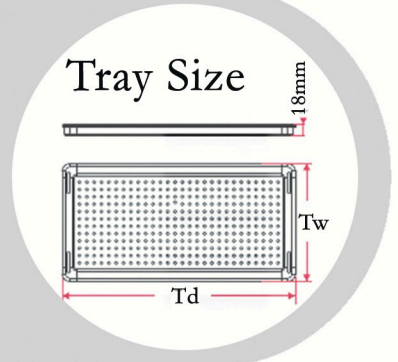
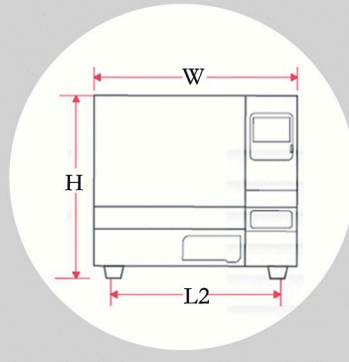
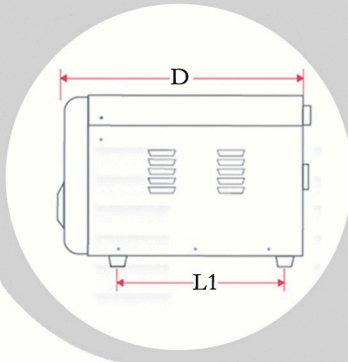
# SPECIFICATIONS

-  12 Min Cycle
-  Small Footprint
-  Big Power



\*\*Standard Configuration  
2 Trays (3 trays Optional)

USB Datalogger  
& Internal Printer Included

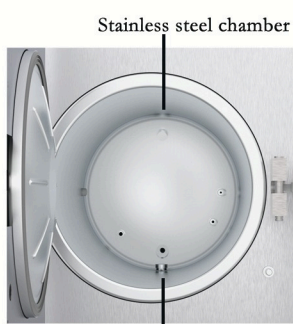


Model	Clave8+
Voltage	110V
Rated Power	1750W
Chamber Size	Ø6.7"x12.6"(8L)
Weight	82 lbs

DIMENSIONS	
W	16.5"
H	14.6"
D	20.7"
L1	14"
L2	13"
Td	10.4"
Tw	5.1"



Distilled Water Tank



Stainless steel chamber

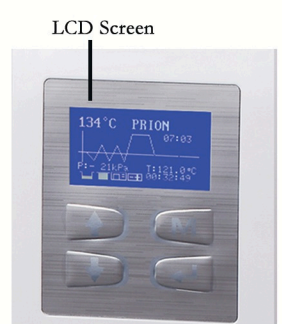
Water filter



USB Port

Waste Water Drain

Distilled Water Drain



LCD Screen

**Contact for details**



**Unique Dental Supply Inc.**  
Quality • Service • Innovation

orders@udscanada.com / www.udscanada.com

1-888-532-0554