



X100 Brochure

Channel Drainage
D400 - F900

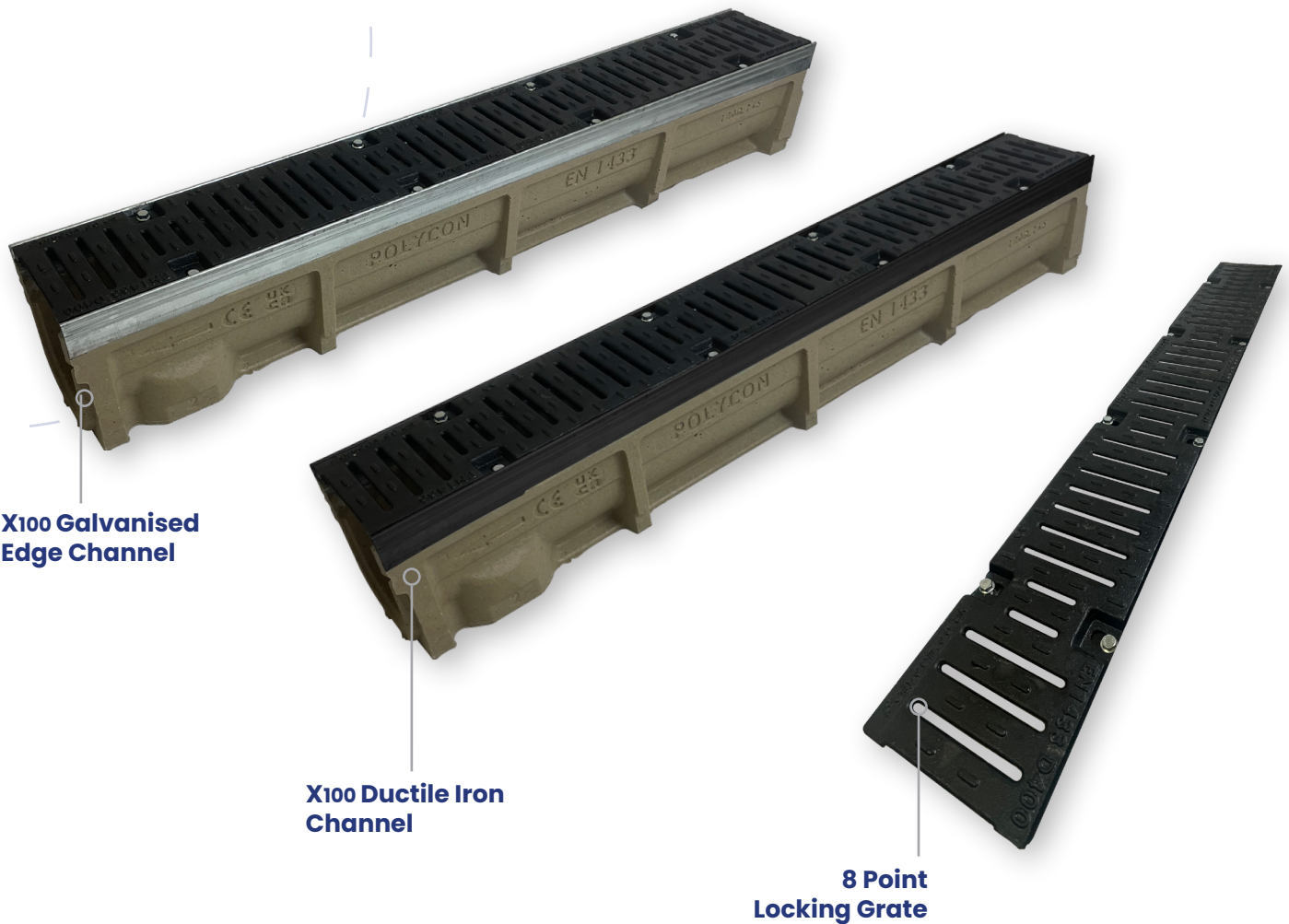
0151 422 9747
www.polycon.co.uk



X100

Load Classes: **D400 - F900**

Introducing our latest channel drainage system X 100. This combination of a polymer concrete base and a ductile iron grating is not the only aspect that highlights the strength of this product. The X 100 system offers unmatched durability, thanks to its eight-point locking mechanism. Experience seamless installation and exceptional stability for projects involved in commercial areas.

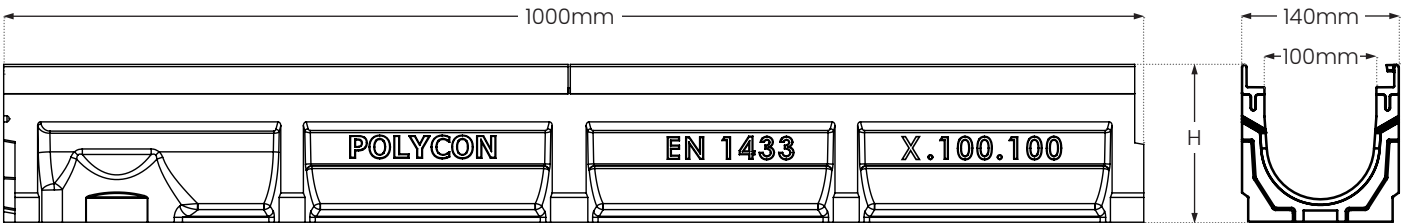




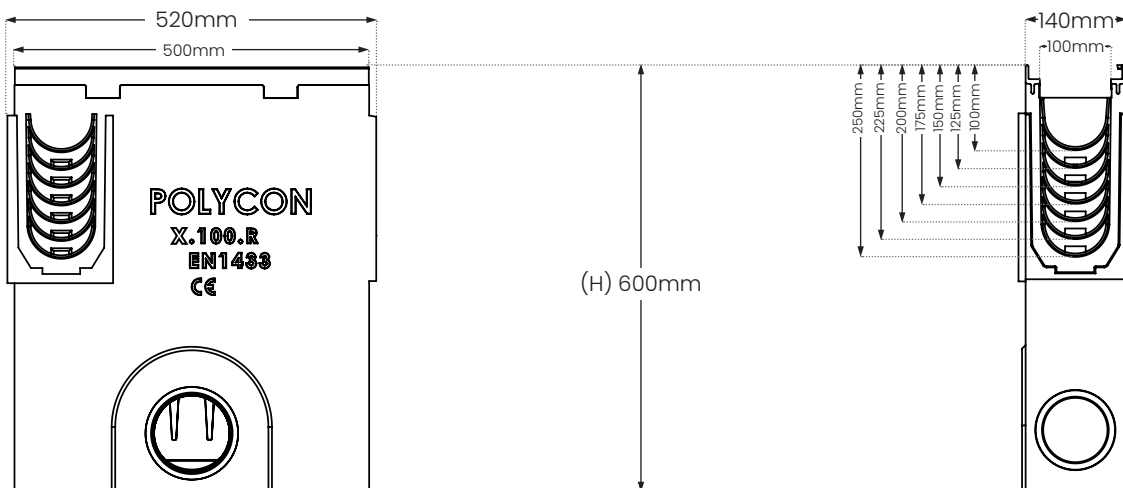
X100 – Galvanised Edge

REFERENCE NUMBER	PALLET QTY	OVERALL WIDTH	INTERNAL WIDTH	OVERALL DEPTH (H)	CHANNEL LENGTH	CHANNEL WEIGHT (KG)	GRATING WEIGHT (KG)	LOAD CLASS
D 100.80	72	140mm	100mm	80mm	1000mm	11	4.3	D400
D 100.100	64	140mm	100mm	100mm	1000mm	13	4.3	D400
D 100.140	60	140mm	100mm	140mm	1000mm	15	4.3	D400
D 100.165	56	140mm	100mm	165mm	1000mm	17	4.3	D400
D 100.190	40	140mm	100mm	190mm	1000mm	19	4.3	D400
D 100.290	32	140mm	100mm	290mm	1000mm	21	4.3	D400
Sump Unit	12	140mm	100mm	600mm	500mm	39.5	4.3	D400

X100 Galvanised Edge - Diagram



SUMP UNIT

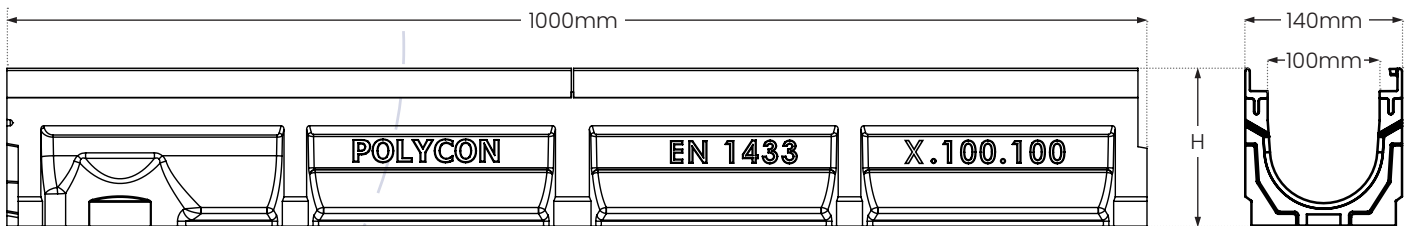




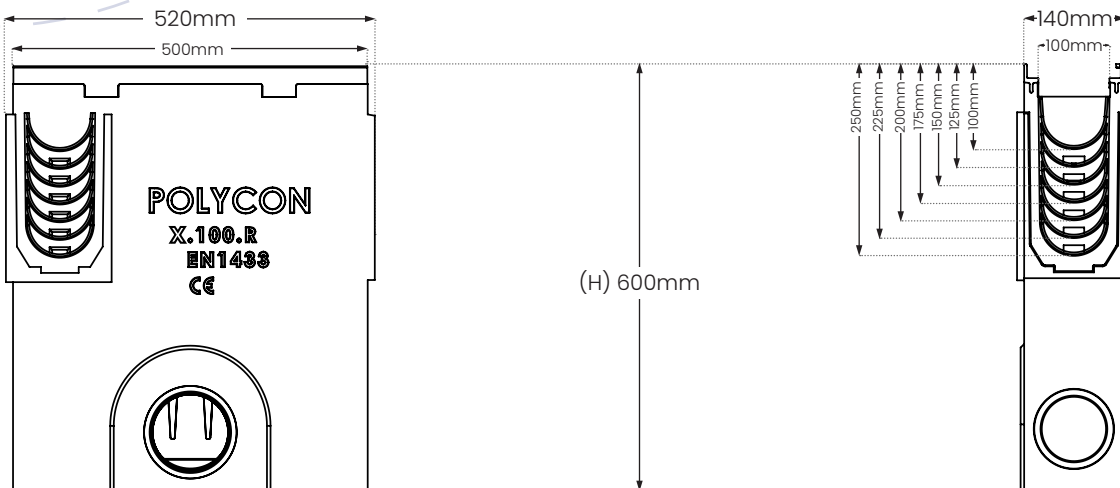
X100 - Ductile Iron Edge

REFERENCE NUMBER	PALLET QTY	OVERALL WIDTH	INTERNAL WIDTH	OVERALL DEPTH	CHANNEL LENGTH	CHANNEL WEIGHT(KG)	GRATING WEIGHT(KG)	LOAD CLASS
LOX D 100.140	60	140mm	100mm	140mm	1000mm	13.3	5.2	F900
LOX D 100.165	56	140mm	100mm	165mm	1000mm	14.2	5.2	F900
LOX D 100.190	40	140mm	100mm	190mm	1000mm	15.3	5.2	F900
Sump Unit	12	140mm	100mm	600mm	500mm	39.5	5.3	F900

X100 Ductile Iron Edge - Diagram



SUMP UNIT



Accessories

The X 100 system comes complete with a range of accessories including a sump made from polymer concrete, end caps and outlets. The sump is used as a filter to help collect silt and promote the flow of water. The end cap and end cap outlets are used to connect the channel to the other drainage pipes.



SUMP UNIT



**START/END
CAPS**



**END CAP
OUTLETS**

X100 - Accessories

REFERENCE NUMBER	PALLET QTY	WIDTH (mm)	OVERALL DEPTH	WEIGHT (KG)	LOAD CLASS
D.80 EC	1	100mm	80mm	11	1.5
D.100.100 EC	1	100mm	100mm	11	1.5
D.100.140 EC	1	100mm	140mm	12	1.5
D.100.140 EC	1	100mm	140mm	12	1.5
D.100.165 EC	1	100mm	165mm	12	1.5
D.100.165 EC	1	100mm	165mm	12	1.5
D.100.190 EC	1	100mm	190mm	12	1.5
D.100.290 EC.M	1	100mm	290mm	13.3	1.5
D.100.290 EC.F	1	100mm	290mm	13.3	1.5



X100 Brochure

Sales@Polycon.co.uk

www.polycon.co.uk

0151 422 9747

