

# VORTIFLO®

## Ø1050mm - FLOW CONTROL CHAMBER

Model: VFBCC1050225B

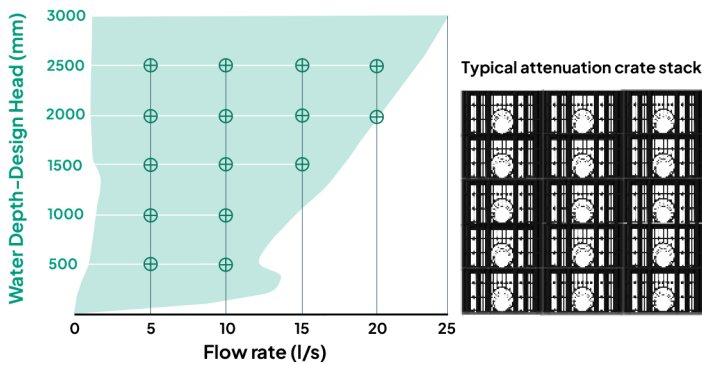
### Introduction

The new VORTIFLO 1050 Flow Control Chamber range features the innovative new **Flow Brake Maxi - Vortex flow control**, which is integrated into the outlet manifold of the chamber. The outlet manifold is also fitted with a Ø110mm overflow pipe, designed to operate in the unlikely event of blockage.

The **Flow Brake Maxi** has been meticulously designed so that this single model will offer a vast range of precise flow discharge rates, from as low as 0.2 litres per second and up to 25 litres per second, with design heads typically but not limited to 3 metres. The tapered inlet and outlet arrangement can be cut to required size, allowing for a vast array of design head - discharge curves to be achieved with this single device.

### Flow Brake Maxi

Flow-Head relationship performance envelope.

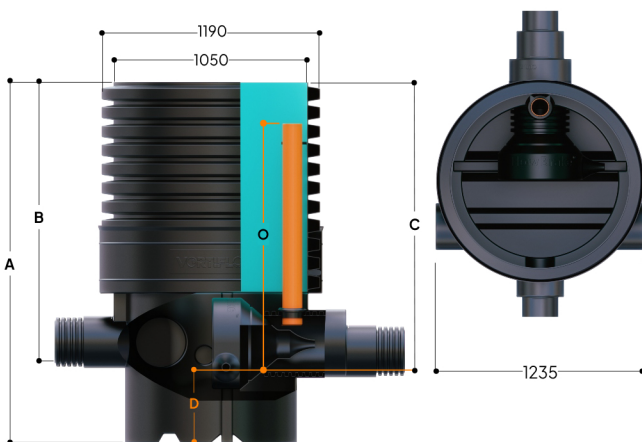


### What information do we need to design your Vortiflo chamber?

1. The Design Flow - Maximum Discharge
2. The Design Head - Invert to Top Water Level
3. Pipework sizes and configurations
4. Invert Depths

### Chamber Specification

This Vortiflo features a durable rota moulded base with pipe sockets that connect to all UK - 150mm or 225mm twinwall pipe systems. The outlet also has a 300mm twinwall connection option. As well as the 225mm twinwall socket connections there are also two spigots for connection via 110mm EN1401 pipe fittings. All inlet connections are supplied with blind ends for cutting on site as required. The moulded base is then factory fitted with Ø1050mm twinwall access shaft, offering a choice of four depths from 1.5 to 3 metres. Following inspection and relevant testing the units are then shipped to site ready to be installed. Ladders can be fitted if required, at extra cost.



Product Code	Main Pipework Options	Side Inlet Options	Overall Depth	Inlet Invert	Outlet Invert	Sump Depth	Overall Weight (kg)
	Ø (mm)	Ø (mm)	A (mm)	B (mm)	C (mm)	D (mm)	
VFBCC1050225B/1.5	150-225	110-225	1450	1015	790	400	77
VFBCC1050225B/2	150-225	110-225	1970	1535	1255	400	104
VFBCC1050225B/2.4	150-225	110-225	2385	1950	1670	400	115
VFBCC1050225B/3	150-225	110-225	3010	2575	2295	400	148

O = Overflow dimension is factory fitted to be 100mm above the top water level or HEAD