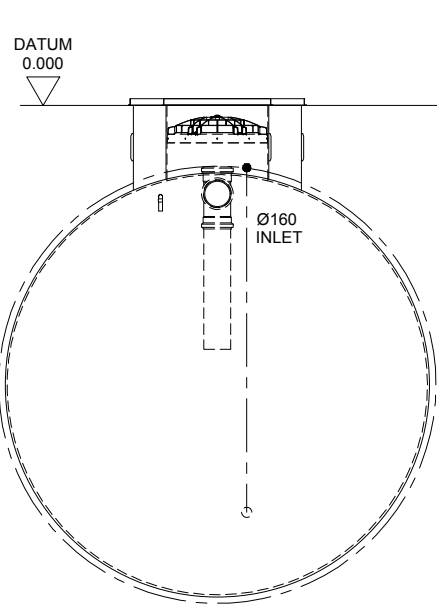
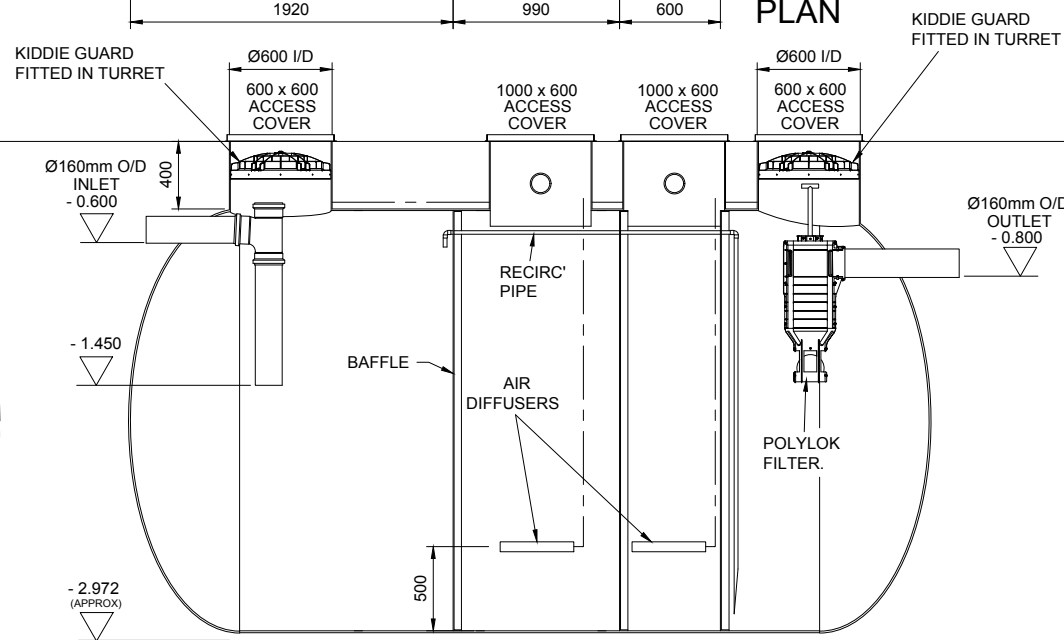


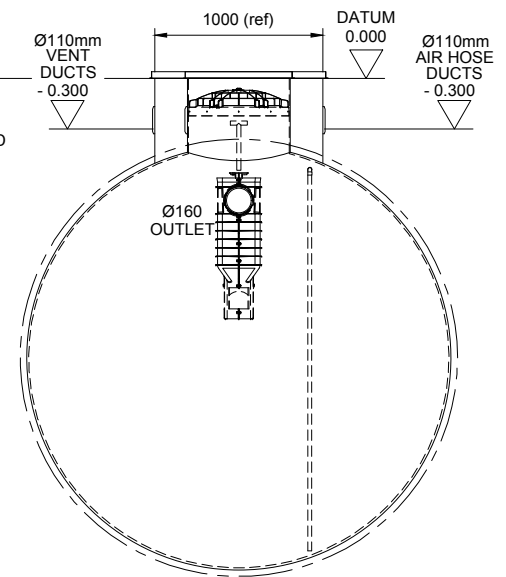
GENERAL NOTE:
 All tanks are subject to a 2.5% tolerance on all dimensions.
 Any internals (if shown) are for guidance only, and may vary in design / individual specifications. Rib centres may vary during manufacture.



VIEW ON INLET



SECTION THRO' TANK



VIEW ON OUTLET

REV	DESCRIPTION	DATE	SIG	REV	DESCRIPTION	DATE	SIG
A	For Approval	05.11.19	K.A.				
B	TANK AMENDMENTS.	17.01.20	GLF.				
C	BIOZONE TURRETS AMENDED.	19.03.21	G.L.F.				
D	CARBON VENTED LIDS REPLACED BY 600 x 600 +VENT.	07.10.21	B.C.				

THIS DRAWING IS THE PROPERTY OF MARSH INDUSTRIES LTD. AND MUST NOT BE REPRODUCED OR CIRCULATED FOR ANY PURPOSE WHATSOEVER WITHOUT FIRST OBTAINING WRITTEN CONSENT FROM THE MARSH INDUSTRIES LTD.		
ORIG.	CHRD	APPD
	SCALE	DATE
	N.T.S.	05.11.2019
3 RD ANGLE PROJECTION		DO NOT SCALE IF IN DOUBT ASK

CLIENT	
TITLE	MARSH STD ULTRAPOLYLOK 55 PE Ø 2.5m x 4.75m LG TANK (20:30:20 - 90 DAY) GRAVITY OUTLET.

DRG.	MSUG 55	REV	D
------	---------	-----	---

MARSH UNITS 9-13 ADDINGTON PARK IND. EST., LITTLE ADDINGTON, KETTERING, NORTHAMPTONSHIRE, NN14 4AS.
MARSH INDUSTRIES >
 Leaders in off-mains drainage