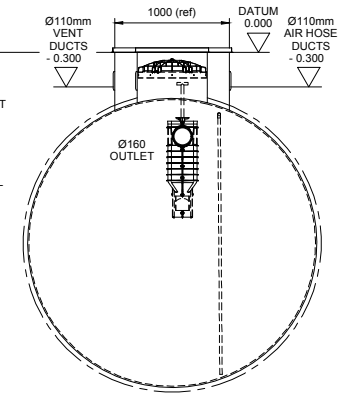
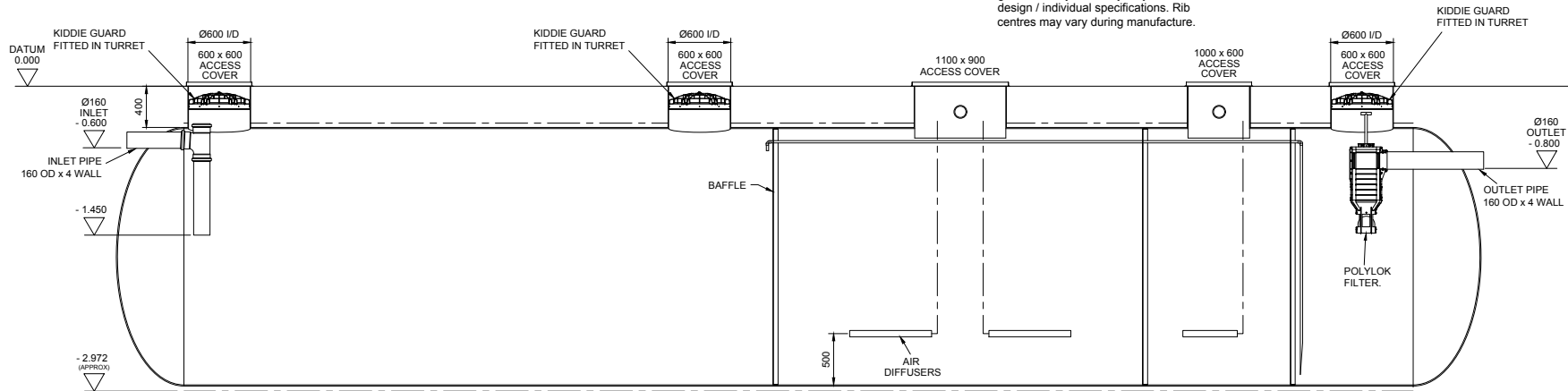


PLAN

GENERAL NOTE:  
All tanks are subject to a 2.5% tolerance on all dimensions.  
Any internals (if shown) are for guidance only, and may vary in design / individual specifications. Rib centres may vary during manufacture.



SECTION THRO' TANK

VIEW ON OUTLET

REV	DESCRIPTION	DATE	SIG	REV	DESCRIPTION	DATE	SIG
A	For Approval	06.11.19	K.A.				
B	TANK AMENDMENTS.	21.01.20	GLF.				
C	BIOZONE TURRETS AMENDED.	19.03.21	G.L.F.				
D	CARBON VENTED LIDS REPLACED BY 600 x 600 + VENT	15.10.21	B.C.				

THIS DRAWING IS THE PROPERTY OF MARSH INDUSTRIES LTD. AND MUST NOT BE REPRODUCED OR CIRCULATED FOR ANY PURPOSE WHATSOEVER WITHOUT FIRST OBTAINING WRITTEN CONSENT FROM THE MARSH INDUSTRIES LTD.

ORIG: [ ] CHRD: [ ] APPD: [ ]

SCALE: N.T.S. DATE: 06.11.2019

3 RD ANGLE PROJECTION

CLIENT

TITLE

MARSH STD ULTRAPOLYLOK  
200 PE Ø 2.5m x 13.28m LG TANK.  
(20:30:20 - 90 DAY)  
GRAVITY OUTLET

**MARSH** UNITS 9-13 ADDINGTON PARK IND. EST.,  
LITTLE ADDINGTON, KETTERING,  
NORTHAMPTONSHIRE, NN14 4AS.

**MARSH INDUSTRIES** >  
Leaders in off-mains drainage

MSUG 200

REV D