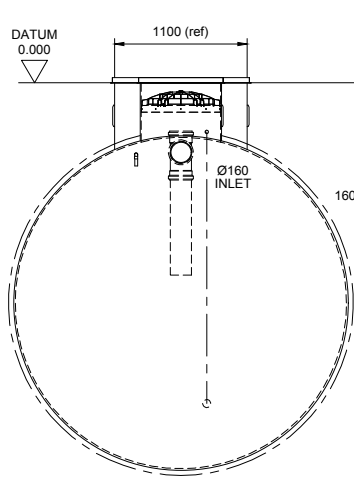
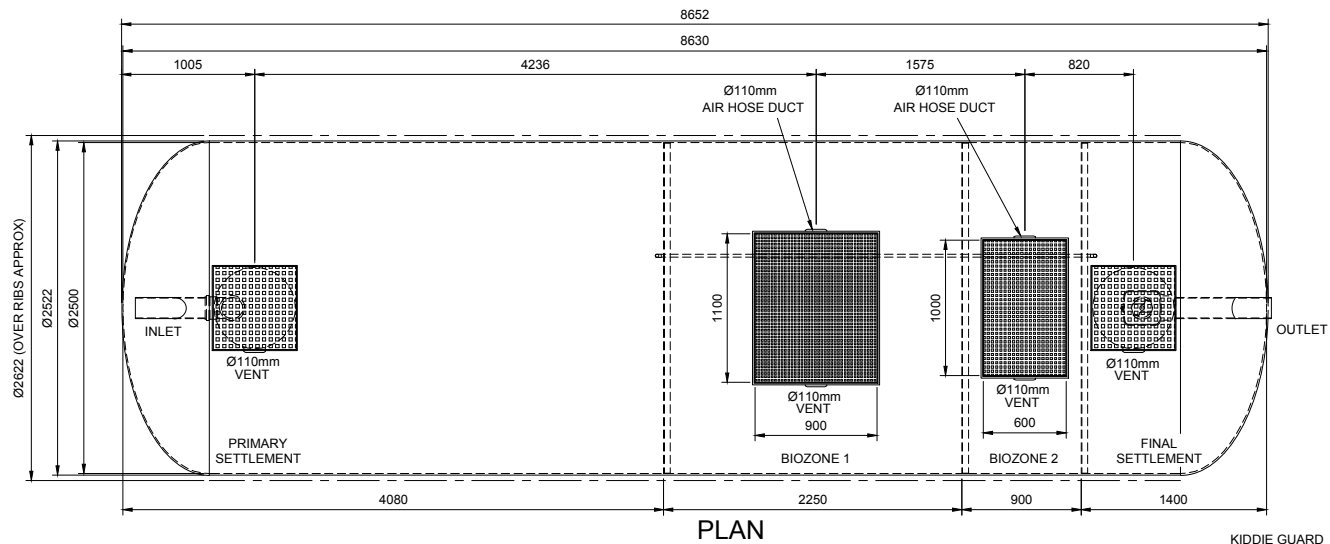
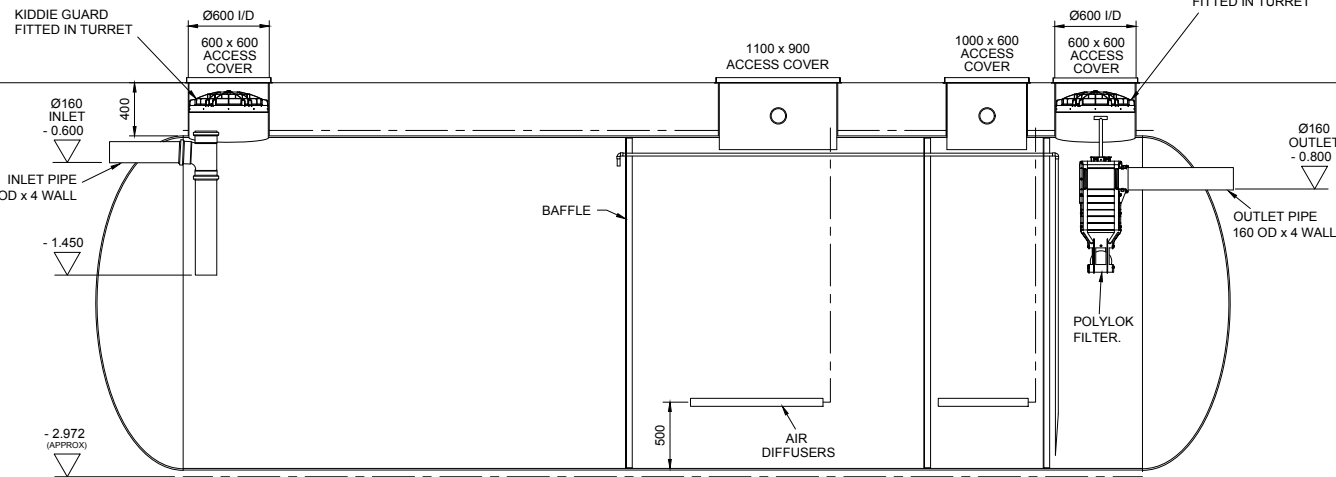


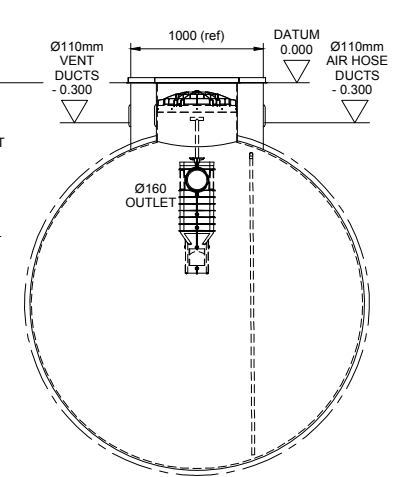
GENERAL NOTE:
 All tanks are subject to a 2.5% tolerance on all dimensions.
 Any internals (if shown) are for guidance only, and may vary in design / individual specifications. Rib centres may vary during manufacture.



VIEW ON INLET



SECTION THRO' TANK



VIEW ON OUTLET

| REV | DESCRIPTION | DATE | SIG | REV | DESCRIPTION | DATE | SIG |
|-----|-------------------------------------------------|----------|--------|-----|-------------|------|-----|
| A | For Approval | 06.11.19 | K.A. | | | | |
| B | TANK AMENDMENTS. | 21.01.20 | GLF | | | | |
| C | BIOZONE TURRETS AMENDED. | 19.03.21 | G.L.F. | | | | |
| D | CARBON VENTED LIDS REPLACED BY 600 x 600 + VENT | 15.10.21 | B.C. | | | | |

| | | |
|--------------------------------------------------------------------------------------------------------------------------------------------------------------------------------------------------|------|------------------------------|
| THIS DRAWING IS THE PROPERTY OF MARSH INDUSTRIES LTD. AND MUST NOT BE REPRODUCED OR CIRCULATED FOR ANY PURPOSE WHATSOEVER WITHOUT FIRST OBTAINING WRITTEN CONSENT FROM THE MARSH INDUSTRIES LTD. | | |
| ORIG. | CHRD | APPD |
| SCALE | | DATE |
| N.T.S. | | 06.11.2019 |
| 3 RD ANGLE PROJECTION | | DO NOT SCALE IF IN DOUBT ASK |

| | |
|--------|---------------------------------------------------------------------------------------------------|
| CLIENT | TITLE |
| | MARSH STD ULTRAPOLYLOK 125 PE Ø 2.5m x 8.63m LG TANK. (20:30:20 - 90 DAY) GRAVITY OUTLET |

MARSH INDUSTRIES LTD.
 LITTLE ADDINGTON, KETTERING,
 NORTHAMPTONSHIRE, NN14 4AS.

MARSH INDUSTRIES
 Leaders in off-mains drainage

DRG. MSUG 125 REV D